

OmySalon Electric Beauty Bed with Stool

Model:ESB-B



ATTENTION! PLEASE READ THESE INSTRUCTIONS BEFORE USING THIS DEVICE

**PRODUCT
MANUAL**



NOTICE: Thanks for your purchase. We hope you love it! If you enjoyed your shopping experience, tell us (and others) about it! You could post an online review. This helps us to continue providing great products. Thanks in advance! If anything we could do better, kindly email us and we ' ll try hard to solve the issue for you. Email: support@mefeir.com (Please kindly provide order number when you contact us.)

SAFETY



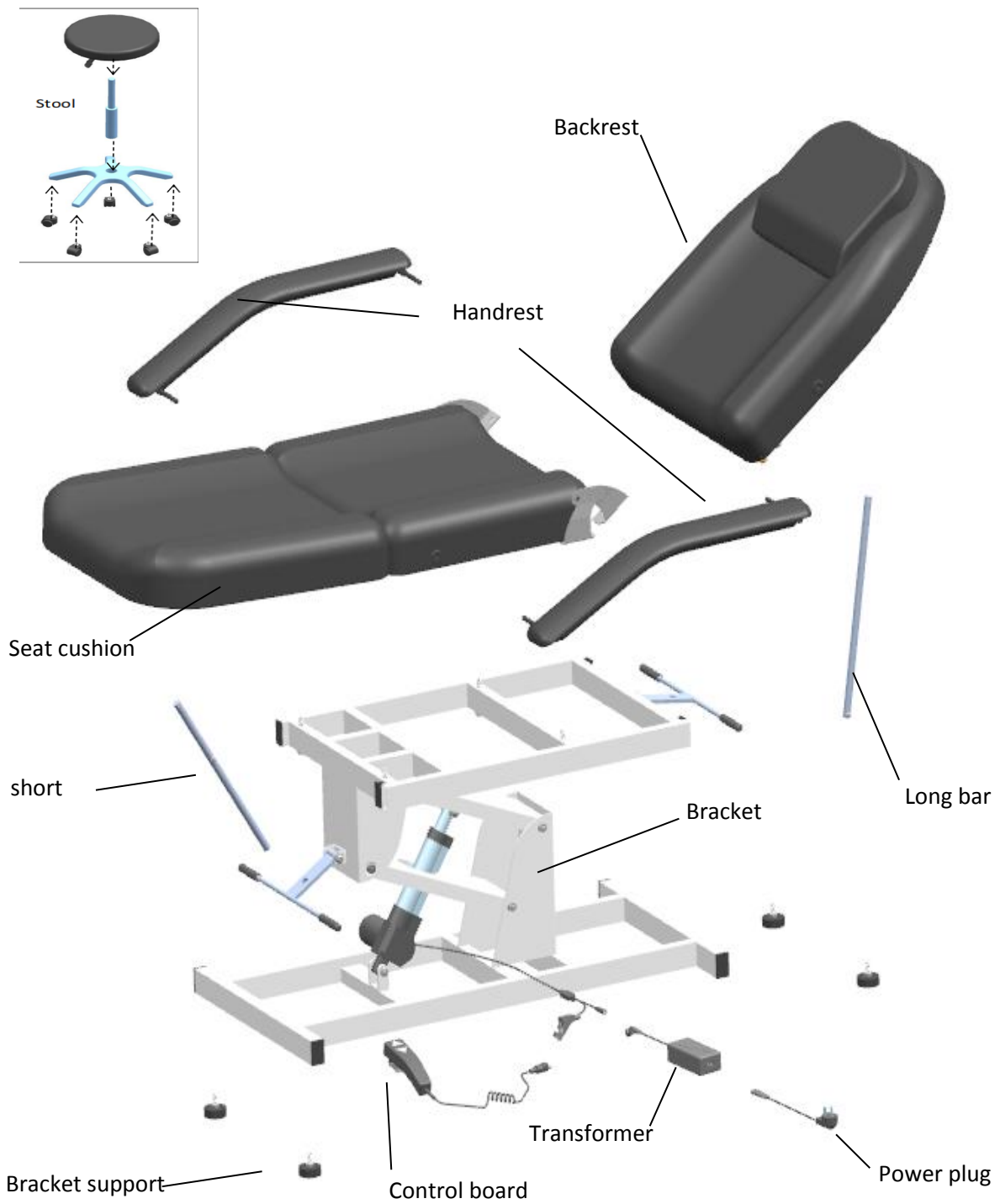
To reduce risk of injury when assembling & using the chair, follow these precautions:

- Read all of these instructions before assembling and using your salon chair.
- It is helpful to have 2 people assemble and turn the chair upright after assembling.
- **Do not over-extend the chair(0~150kg), creating the risk of falls or tipping the chair, and its occupant over, resulting in injury**

OTHER ITEMS YOU WILL NEED (not included)

- Hand Tools: Wrench, Rubber Mallet, Screwdriver (Phillips), Sturdy box

PARTS & FEATURES

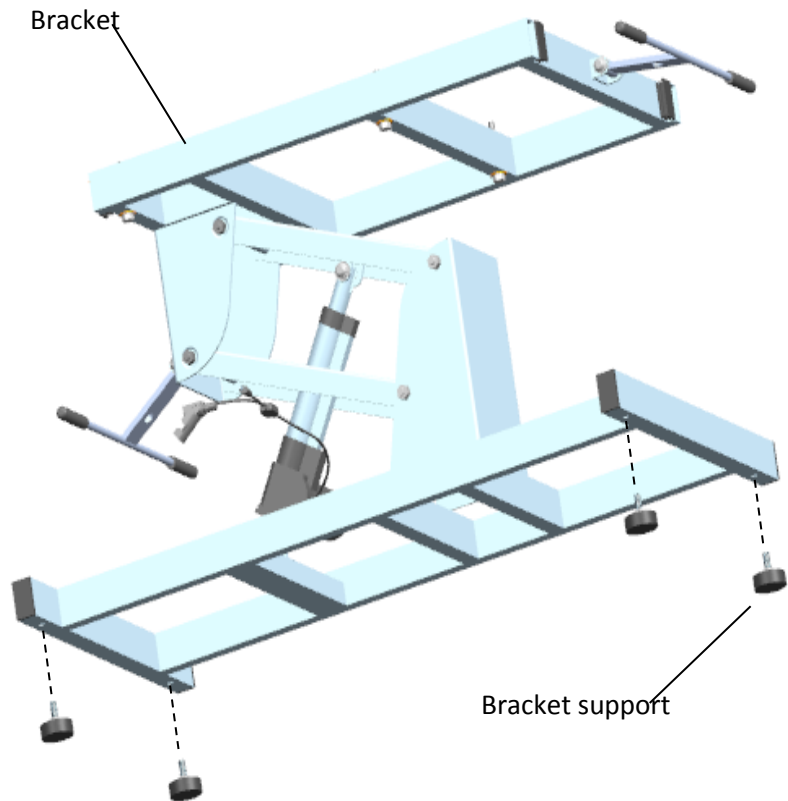


Installation instruction

First : Install 4 Bracket supports to Bracket

Parts needed :Bracket + 4 Bracket supports

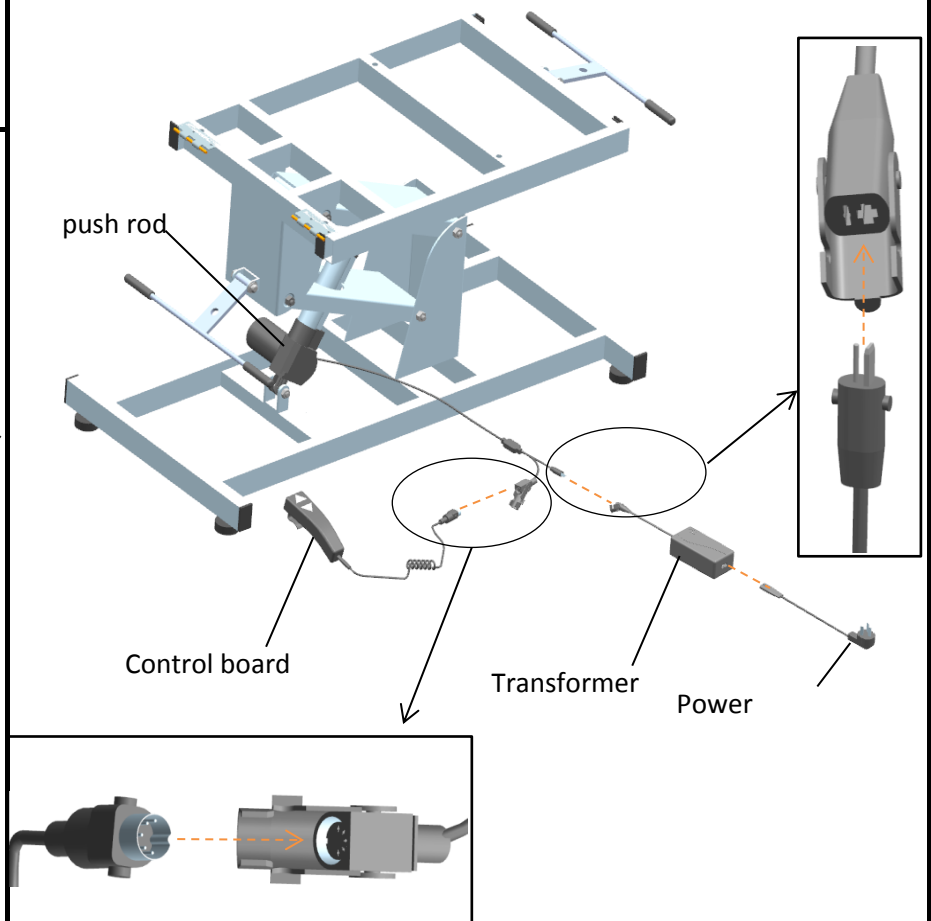
Step 1 . Match the 4 Bracket supports with 4 holes of the Bracket and tighten them.



Second : Assemble Control board , Transformer and Power

• Parts Needed: Control board + Transformer + Power plug

Step 1. Assemble Control board , Transformer and Power plug to the push rod . please see diagram beside



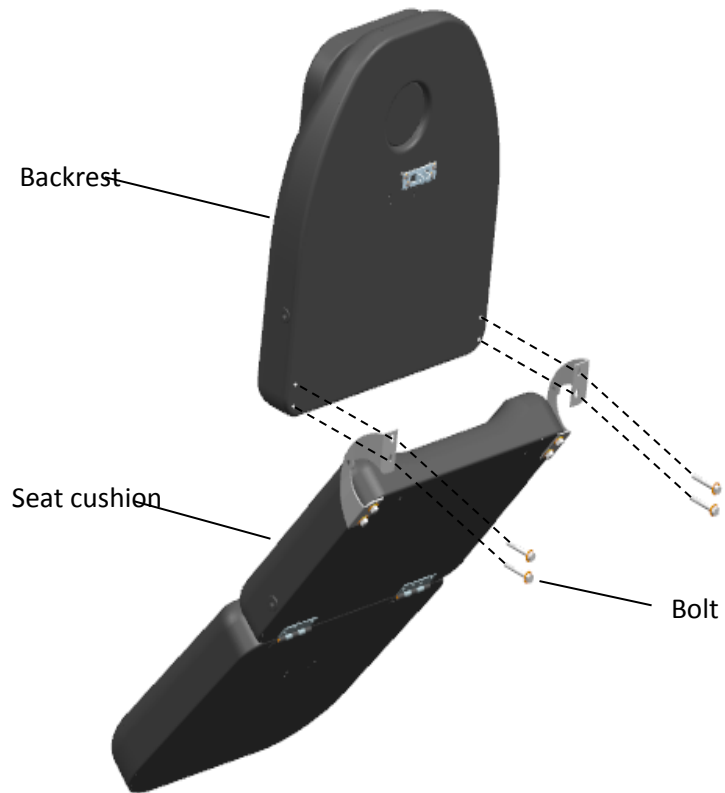
**Third : Asemble
Backrest to Seat cushion**

• Parts Needed: Seat cushion
+ Backrest

Step 1. remove 4 bolts which
fixed on the backrest

Step 2. Match the metal
joining parts of seat cushion
with 4 holes of the backrest

Step 3. Use 4 bolts to tighten
by wrench, please see
diagram beside

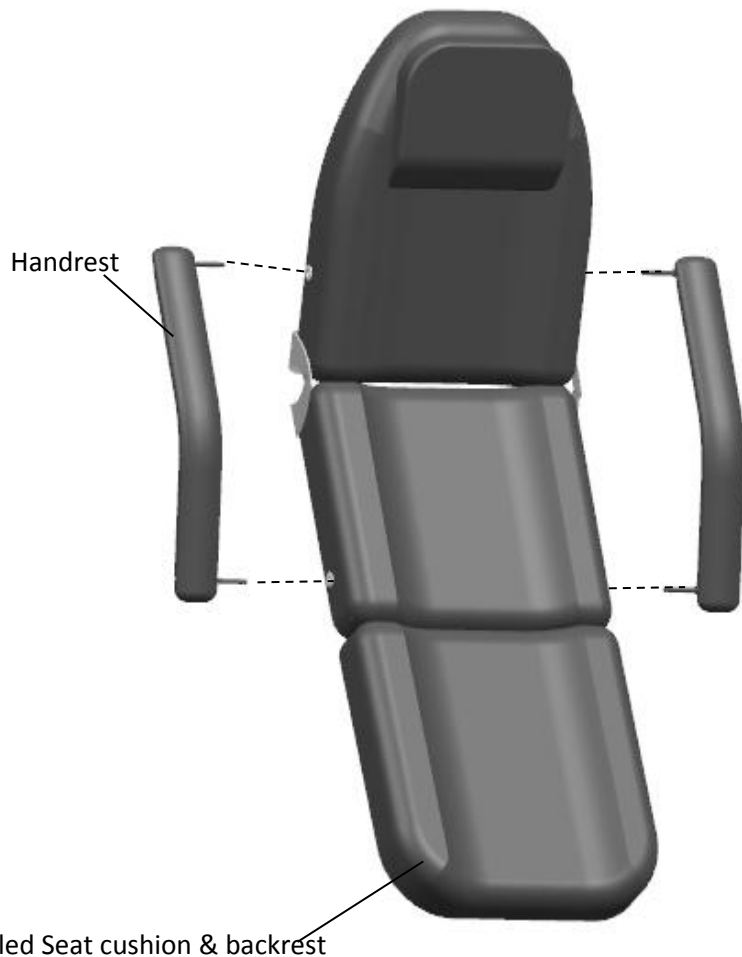


**Fourth : Install handrests
to Installed seat cushion &
backrest**

• Parts Needed: Installed
Seat cushion & backrest + 2
Handrests

1 : Put the installed seat
cushion & backrest up right

2: Insert two handrests into
the holes on each side of the
installed seat cushion &
backrest , please follow up
the diagram beside

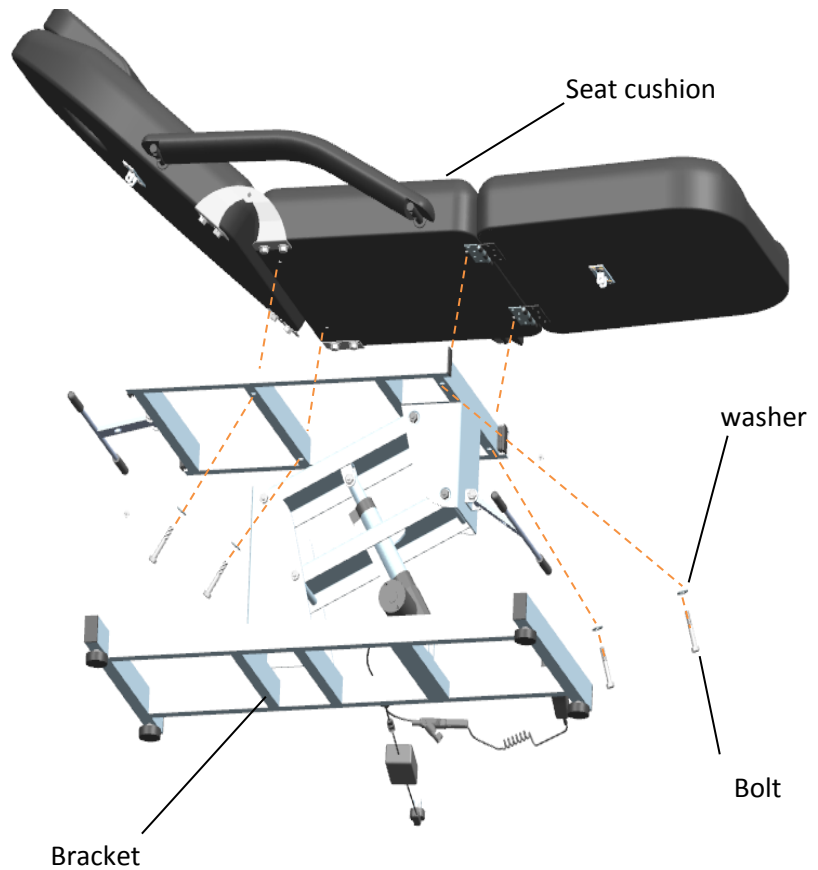


Fifth : Install seat cushion to bracket

• Parts Needed: Installed Seat cushion & Backrest + Installed bracket & bracket supports

Step1. Remove 4 bolts and 4 washers which pre-fixed on the seat cushion

Step 2. Match 4 holes of the seat cushion with 4 holes of the bracket and then insert 4 the bolts through 4 washers and bracket into the 4 holes of seat cushion, tighten by wrench, please follow up the diagram beside



Sixth : Install cushion support to the chair

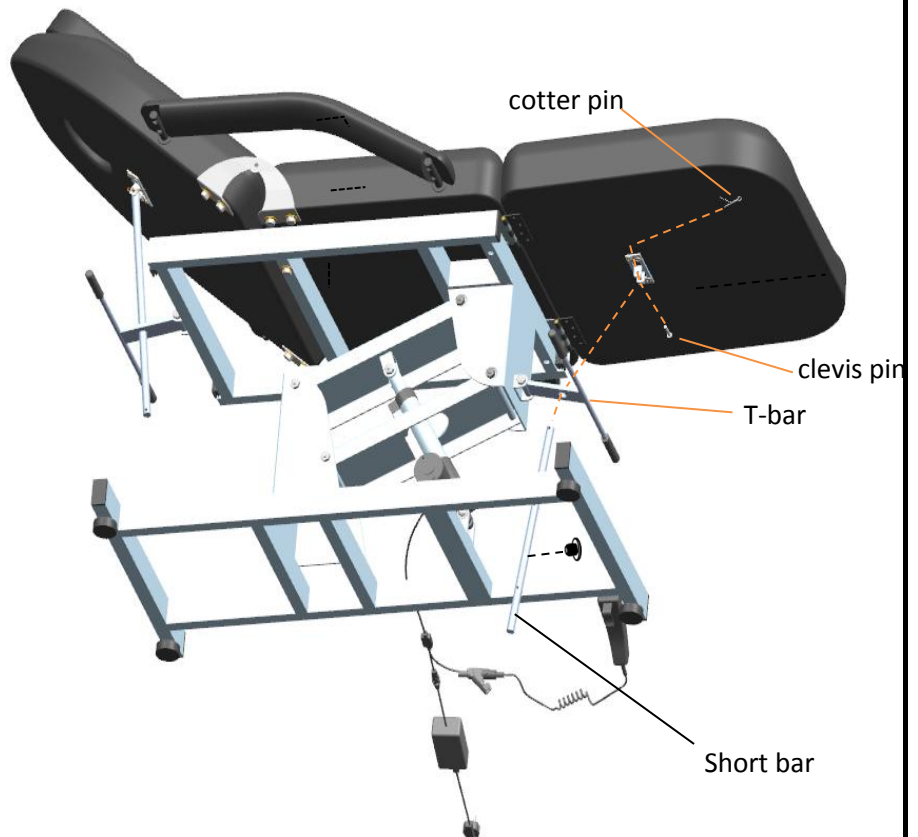
• Parts Needed: Short bar

Step1. Remove the clevis pin and cotter pin which pre-fixed in the U-shaped part of seat cushion and remove the small bolt which pre-fixed in middle of the Short bar.

Step 2. Insert the Short bar through the hole of the T-bar which installed to the bracket to the U-shaped part of seat cushion and match the hole of the Short bar with the 2 holes of the U-shaped part of seat cushion, then insert the clevis pin through the 3 holes and use the cotter pin to lock it.

Step 3. Insert the small bolt into the hole which is in the middle of the Short bar and tighten it.

please follow up the diagram



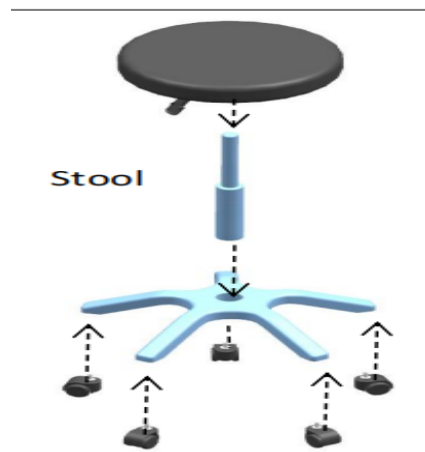
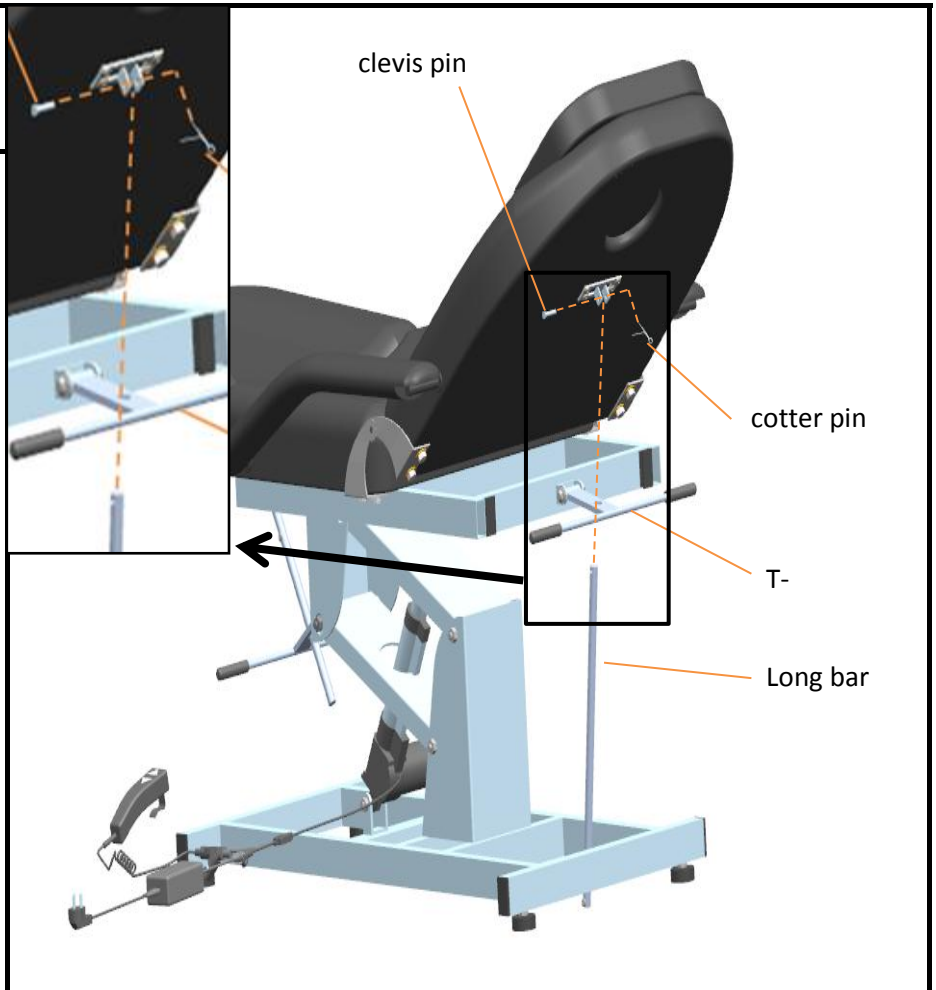
Seventh : Install backrest support to the chair

Parts Needed: Long bar

Step1. Remove the clevis pin and cotter pin which pre-fixed in the U-shaped part of backrest and remove the small bolt of the Long bar .

Step 2 .Insert the Long bar through the hole of the T-bar which Installed to the bracket into the U-shaped part of backrest and match the hole of the Long bar with the 2 holes of the U-shaped part of backrest ,then insert the clevis pin through the 3 holes and use the cotter pin to lock .

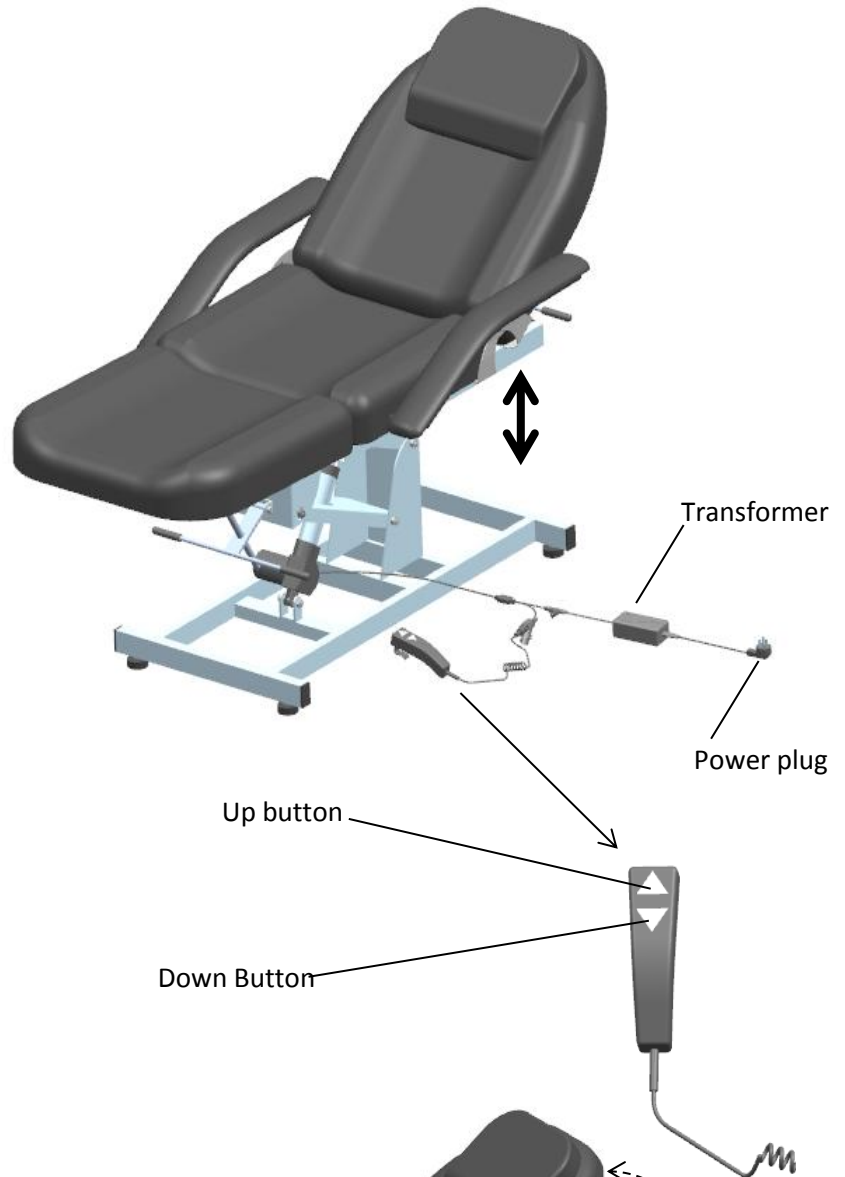
Step 3.Insert the small bolt into the hole of Long bar and tighten it , please follow up the diagram beside



OPERATING THE CHAIR

Raising and Lowering the Chair

- Connect Power plug to power
- Press the up button to raise the chair to the desired height and Press the down button to lower the chair to the desired height .
- Do not over-extend the chair(0~150kg), creating the risk of falls or tipping the chair and its occupant over, resulting in injury



Recline the Backrest

- Adjust the T-bar and backrest support to allow Backrest to raise up or down while the occupant leans back.
- Adjust the T-bar and cushion support to allow the seat cushion to raise up or down

