

OmySalon Beauty Bed

Model# S B W D - B



ATTENTION! PLEASE READ THESE INSTRUCTIONS BEFORE USING THIS DEVICE

PRODUCT MANUAL



NOTICE: Thanks for your purchase. We hope you love it! If you enjoyed your shopping experience, tell us (and others) about it! You could post an online review. This helps us to continue providing great products. Thanks in advance! If anything we could do better, kindly email us and we ' ll try hard to solve the issue for you.

Email: support@mefair.com (Please kindly provide order number when you contact us.)



SAFETY

To reduce risk of injury when installing & using the bed, follow these precautions:

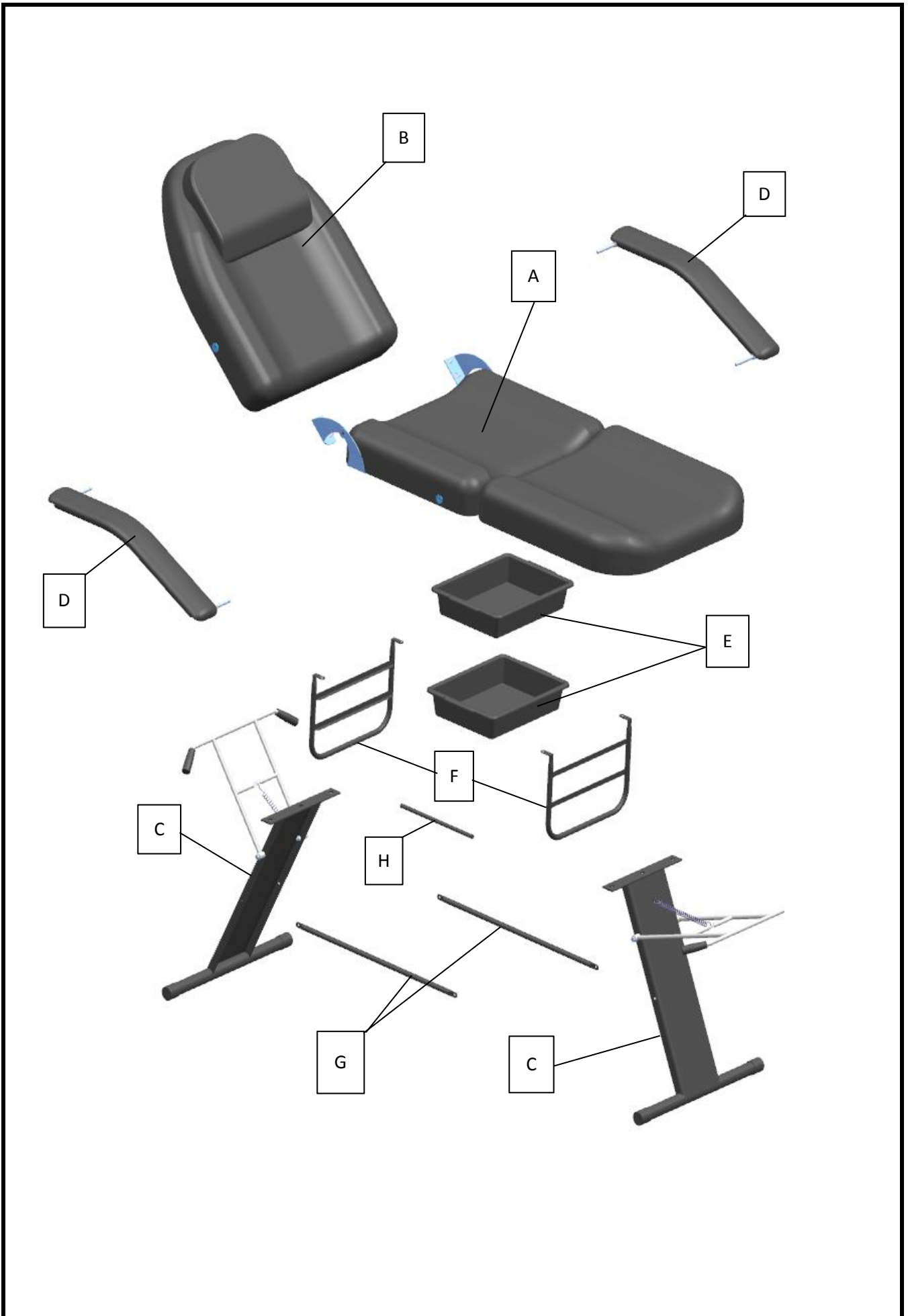
- Read all of these instructions before installing and using your salon bed.
- It is helpful to have 2 people install and turn the bed upright after installing.
- Do not over-extend the bed and the weight of person should not exceed 150KG, creating the risk of falls or tipping the bed, and its occupant over, resulting in injury

OTHER ITEMS YOU WILL NEED (not included)

•Hand Tools:Wrench

Sturdy box

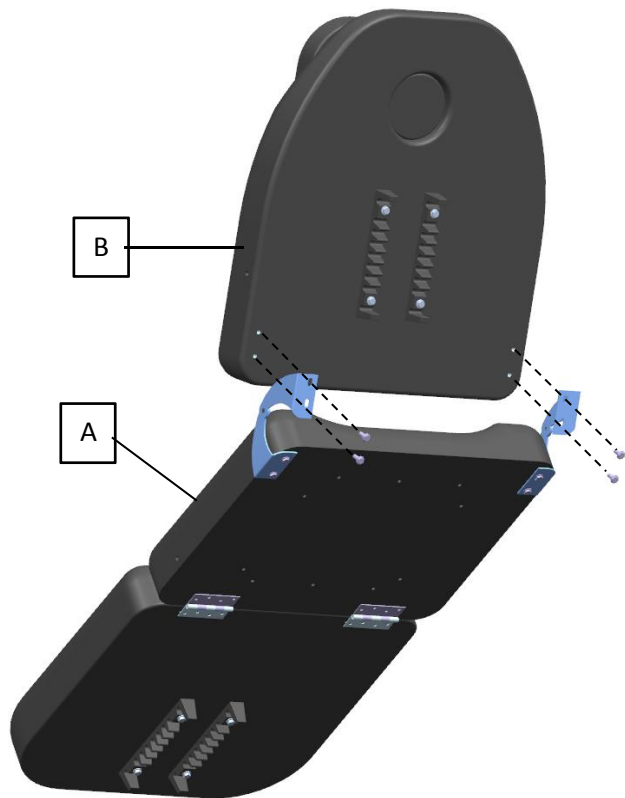
PARTS & FEATURES



Installation instruction

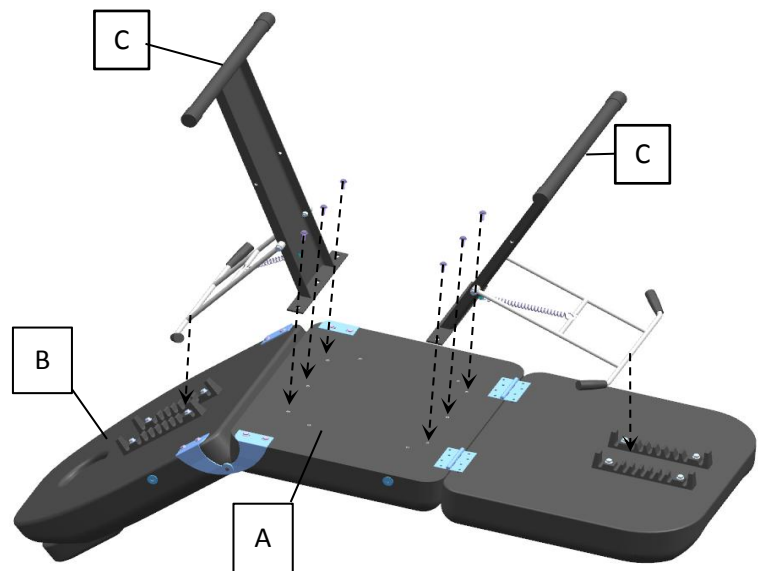
FIRST : Install B to A

- 1.Remove 4 bolts which pre-fixed on B
- 2.Install B to A by 4 bolts which removed from A



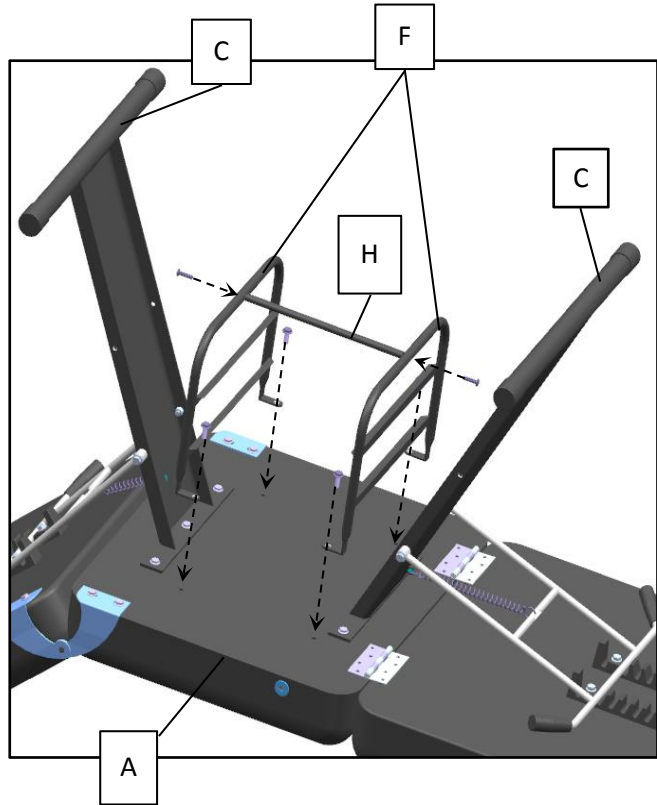
SECOND : Install C to A and B

- 1.Remove 6 bolts which pre-fixed on A
- 2.Install C to A by 6 bolts which removed from A



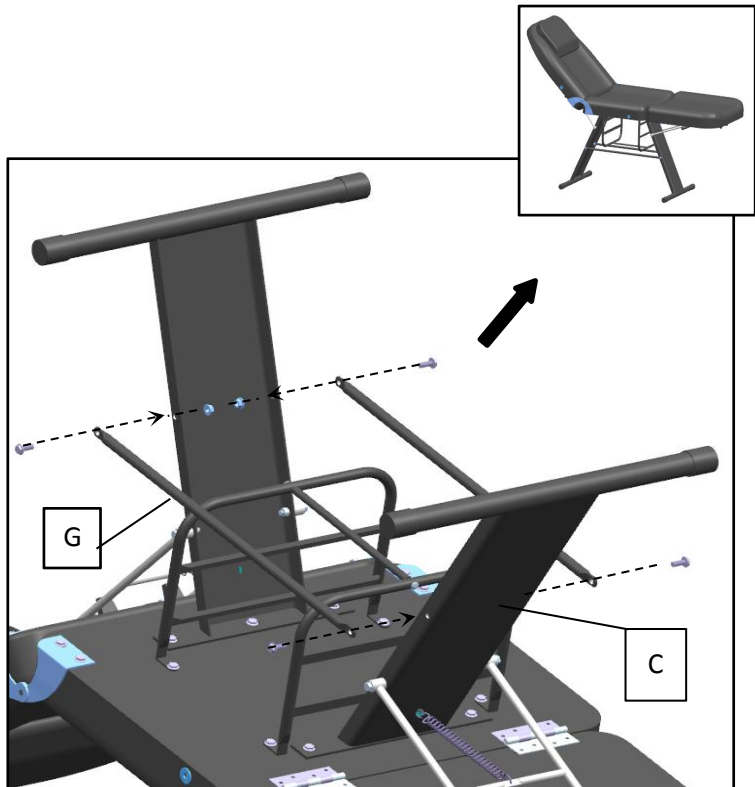
THIRD : Install F to H

1. Remove 4 bolts which pre-fixed on A and remove 2 bolts which fixed on F.
2. Install F to A by 4 bolts which removed from A .
3. Install H in the middle of F by 2 bolts which removed from H.

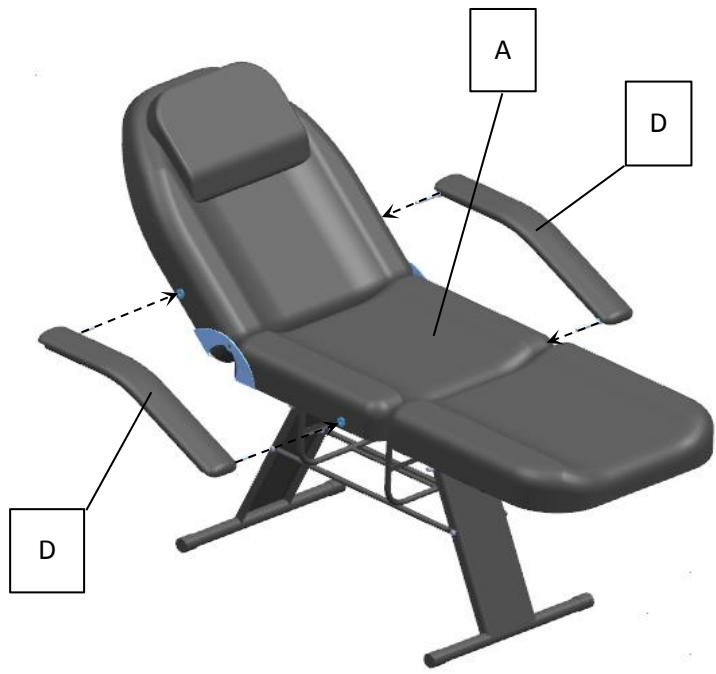


FOURTH : Install G to C

1. Remove 4 bolts which pre-fixed on C
2. Install G to C by 4 bolts which removed from C.



FIFTH : Install D to B and A



2: Install D to A

SIXTH : Install E to B and A




Put E in the bottle of seat(A) and in the middle of F one by one .

Function description

Adjustment of backrest and seat

Adjusting the support bar on the two supports to match the rack, which can adjust the tilt of the backrest and the Seat cushion

( Notice! When moving the adjustment support rod, it must not exceed the gear on both sides of the rack)

