

OmySalon Beauty Bed with Stool

Model# : S B W S - B



ATTENTION! PLEASE READ THESE INSTRUCTIONS BEFORE USING THIS DEVICE

PRODUCT MANUAL



NOTICE:

Thanks for your purchase. We hope you love it! If you enjoyed your shopping experience, tell us (and others) about it! You could post an online review. This helps us to continue providing great products. Thanks in advance! If anything we could do better, kindly email us and we ' ll try hard to solve the issue for you. Email: support@mefeir.com (Please kindly provide order number when you contact us.)

SAFETY



To reduce risk of injury when installing & using the Beauty bed, follow these precautions:

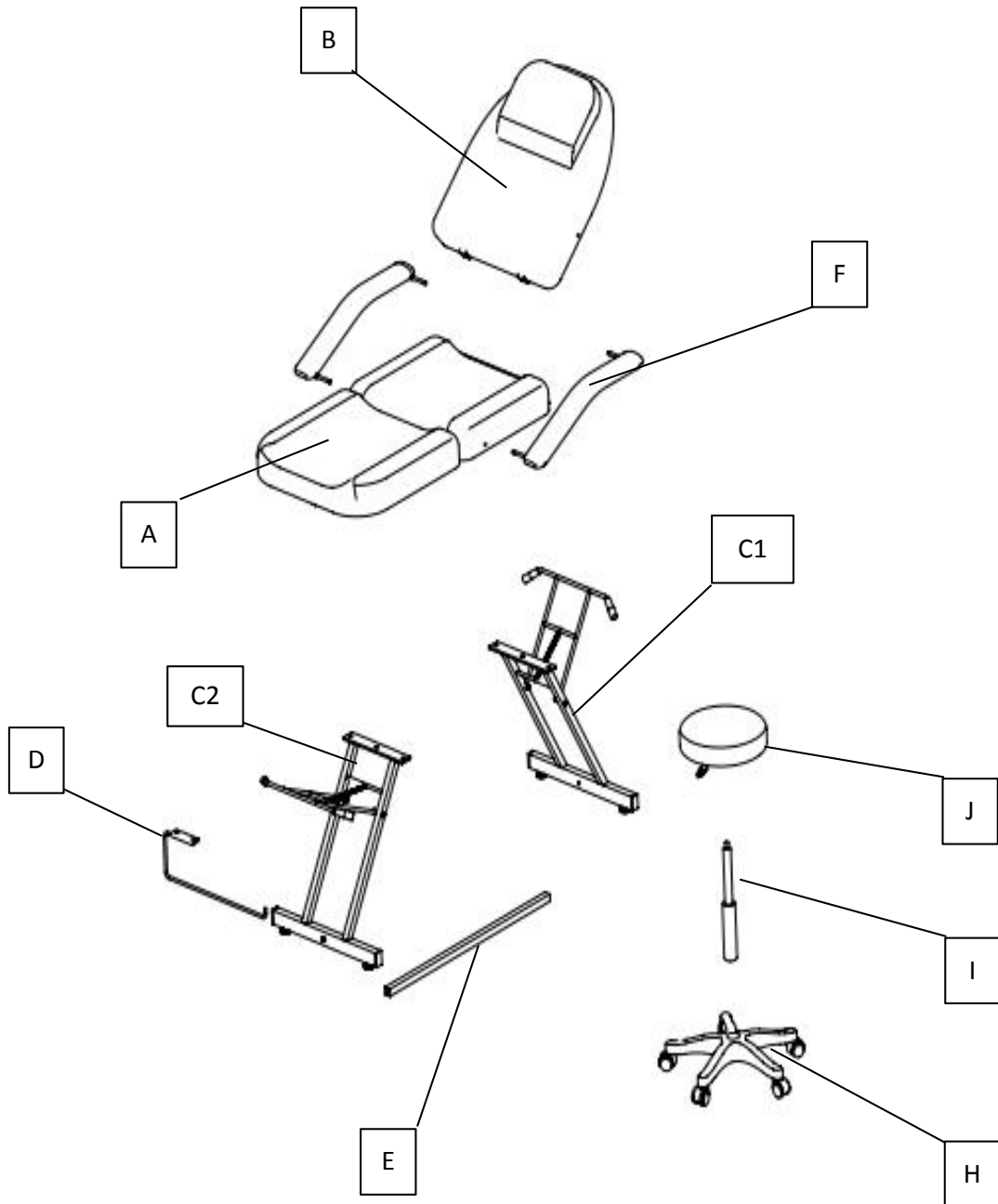
- Read all of these instructions before assembling and using your salon Beauty bed.
- It is helpful to have 2 people assemble and turn the Beauty bed upright after installing.
- Do not over-extend the chair(0~150kg), creating the risk of falls or tipping the Beauty bed, and its occupant over, resulting in injury



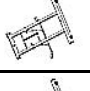
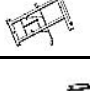

OTHER ITEMS YOU WILL NEED (not included)

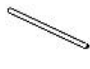

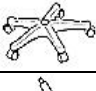


•Hand Tools:Wrench

Sturdy box

PARTS & FEATURES



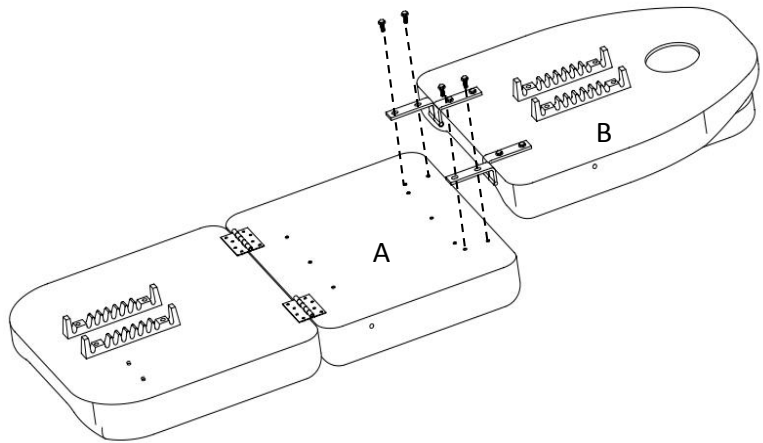
Parts Item	Picture	Parts name	Quatity
A		Seat cushion	1
B		Backrest	1
C1		Leg I	1
C2		Leg II	1
D		Towel holder	1

Parts Item	Picture	Parts name	Quatity
E		Leg Support	1
F		Armrest	2
H		Five star base	1
I		Pneumatic pump	1
J		Round seat	1

Installation instruction

FIRST : Install backrest(B)to seat cushion(A)

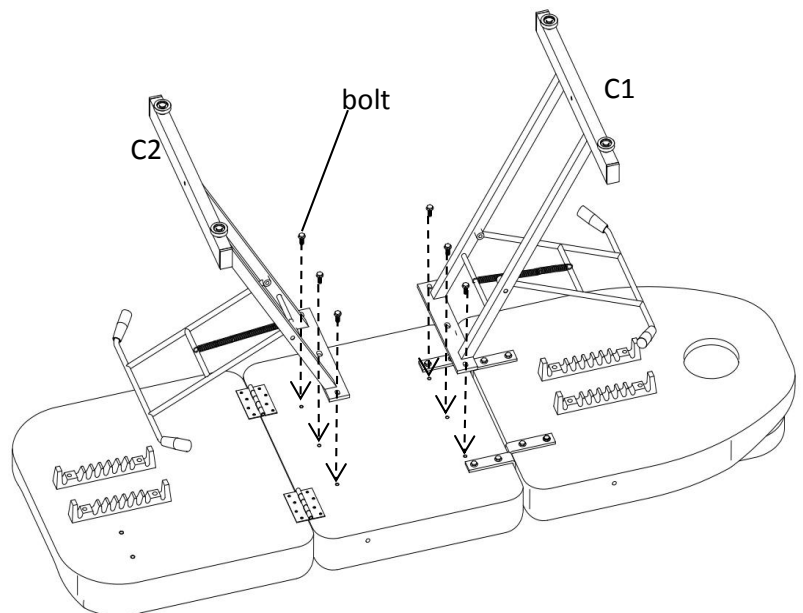
1. Putting seat cushion (A) upside down,
2. Remove 4 bolts which PRE-fixed on the seat cushion (A)
3. Install backrest(B)to seat cushion(A) with the 4 bolts .
please see diagram besides



SECOND : Install legs(C)Onto seat cushion(A)and backrest(B)

1. remove 6 bolts which pre-fixed on the seat cushion(A) .
 2. install 2 legs(C1+C2) to seat cushion (A) with the 6 bolts .
- Install the leg(C1) which pre-installed short Spring on the side which installed backrest.

please see diagram besides

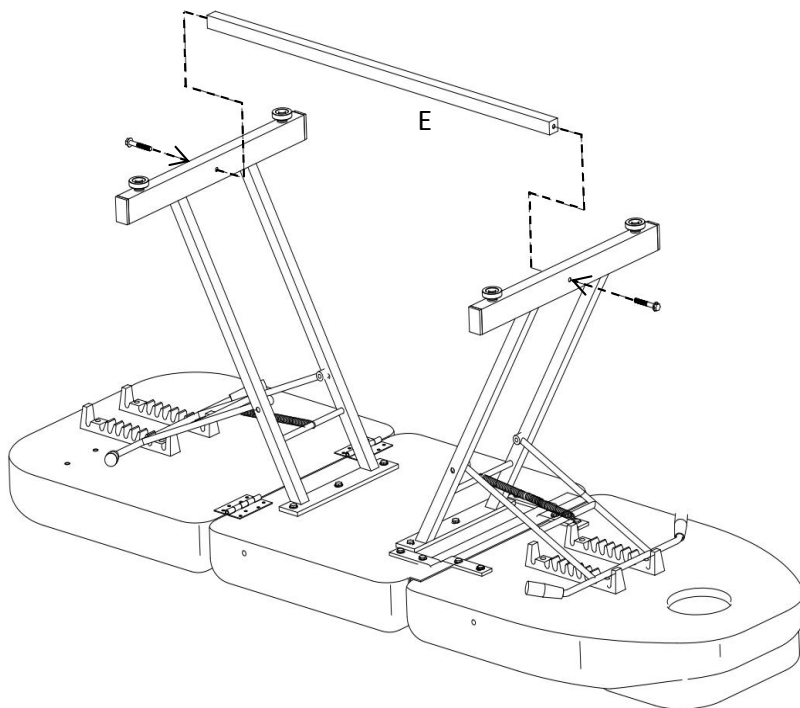


THIRD : Install Leg Support(E)to the middle of legs

1.remove the 2 bolts which pre-fixed in the leg support (E).

2.insert leg support(E)to the middle of legs(C1 and C2) with the 2 bolts.

please see diagram besides

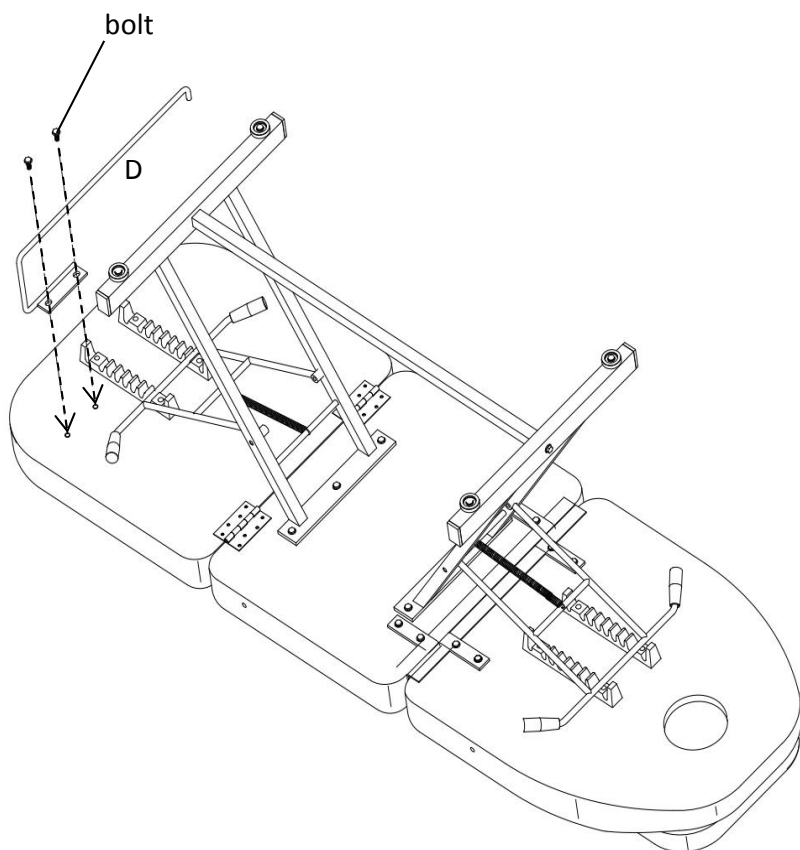


FORTH : Install towel holder(D)to the seat cushion(A)

1.remove the 2 bolts which pre-fixed on the seat cushion(A)

2. Install towel holder(D)to the seat cushion by the 2 bolts.

please see diagram besides

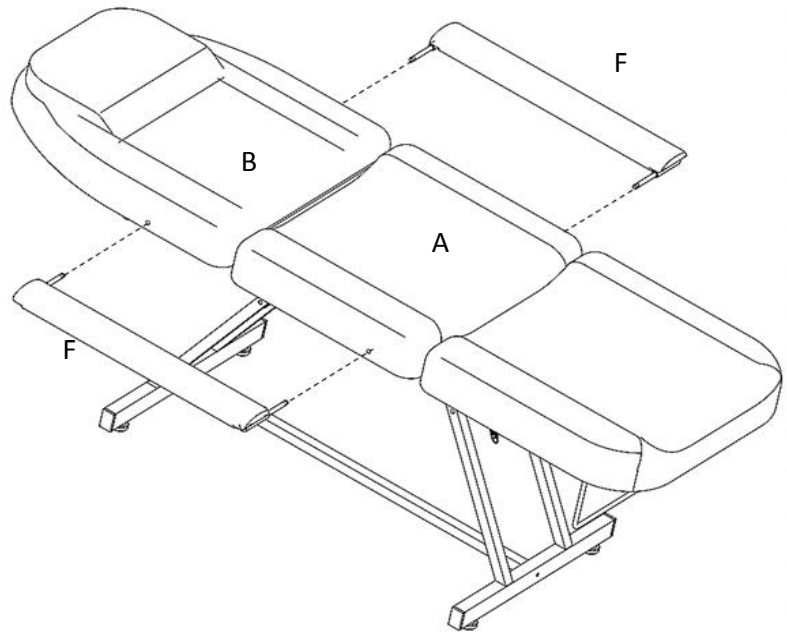


FIFTH : Insert 2 handrests(F) to the backrest(B)and seat cushion(A)

1 : putting the chair up right

2: Insert 2 handrests to the holes on each sides of bed.

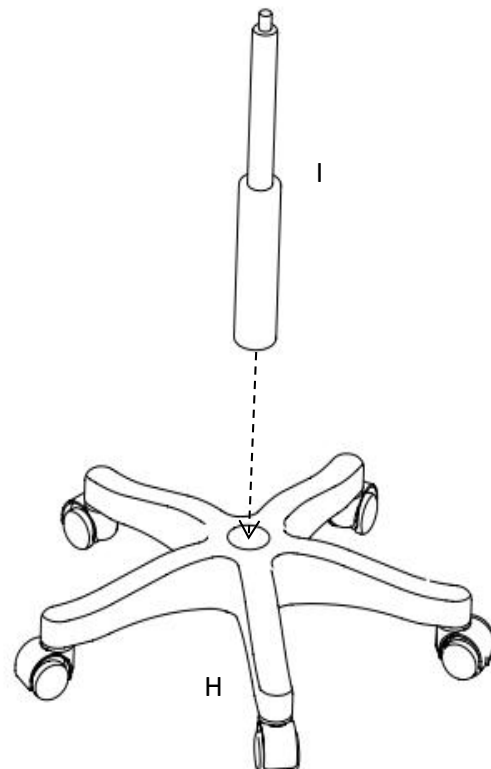
please follow up the diagram besides



Assemble small stool

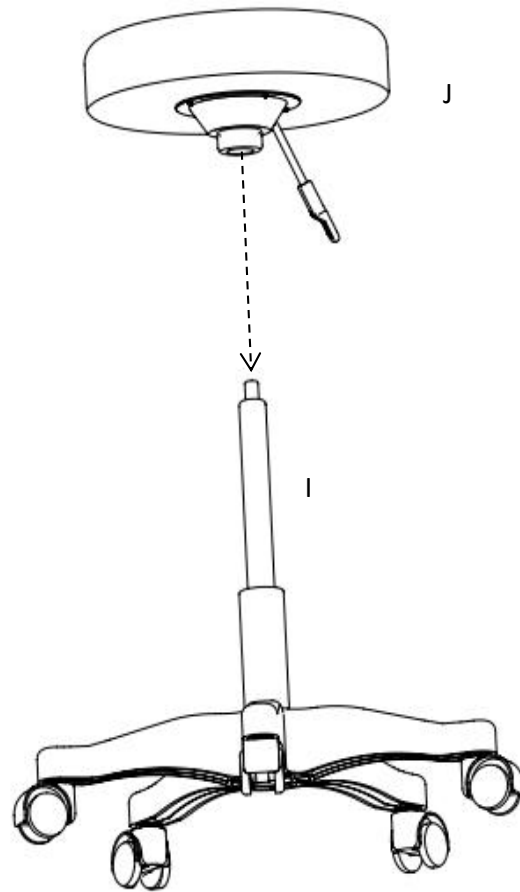
FIRST : Putting pneumatic pump(I)into five star base(H)

1. Putting pneumatic pump(I) into five star base(H), please see diagram besides



SECOND : Assemble round seat (J) onto pneumatic pump(I)


1. Assemble round seat(J) onto pneumatic pump(I), then finish all assemble, please see diagram besides

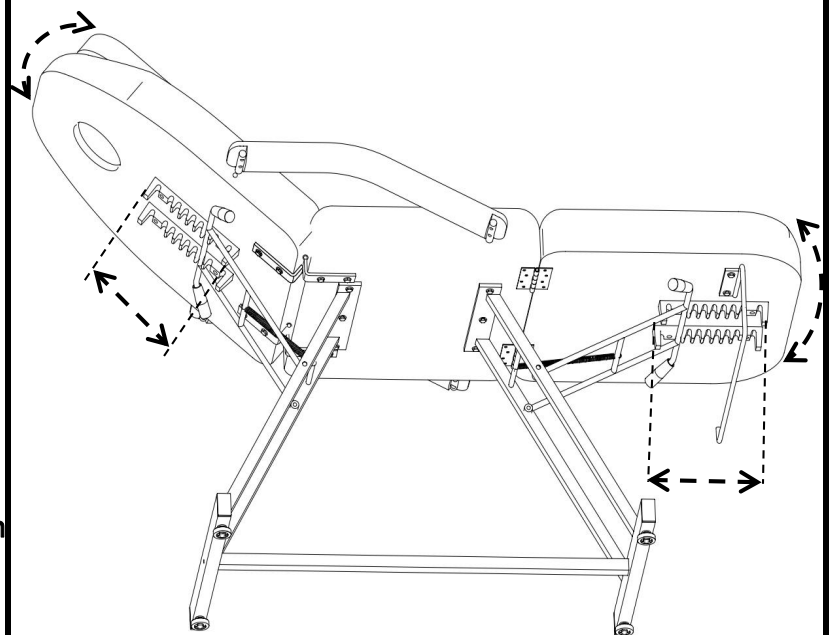


Function description

Adjustment of backrest and seat

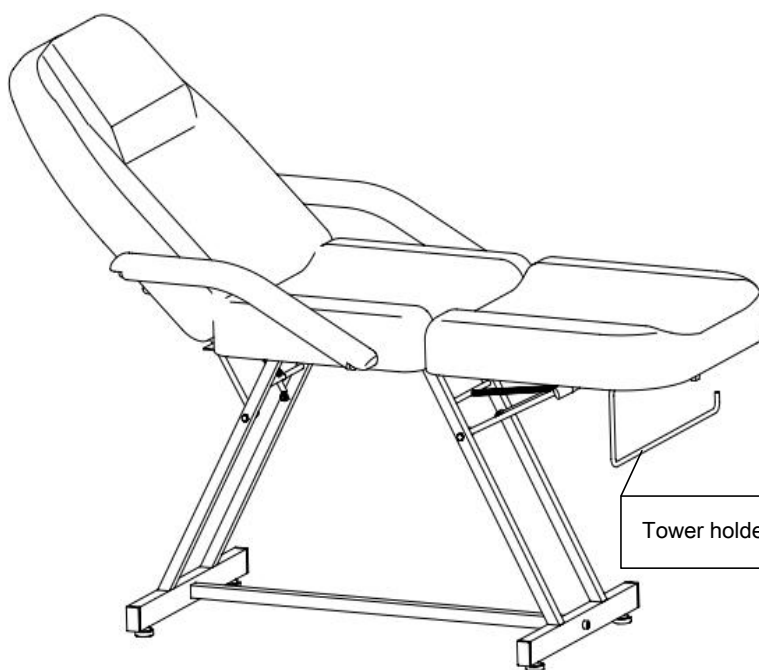
Adjusting the support bar on the two supports to match the rack, which can adjust the tilt of the backrest and the Seat cushion

( **Notice!** When moving the adjustment support rod, it must not exceed the gear on both sides of the rack. **Notice!** Please adjust 8 screws of seat cushion and backrest when the leg support doesn't match the two plastic rack of backrest.)



Using of towel holder

The Towel holder can hang towels



Towel holder