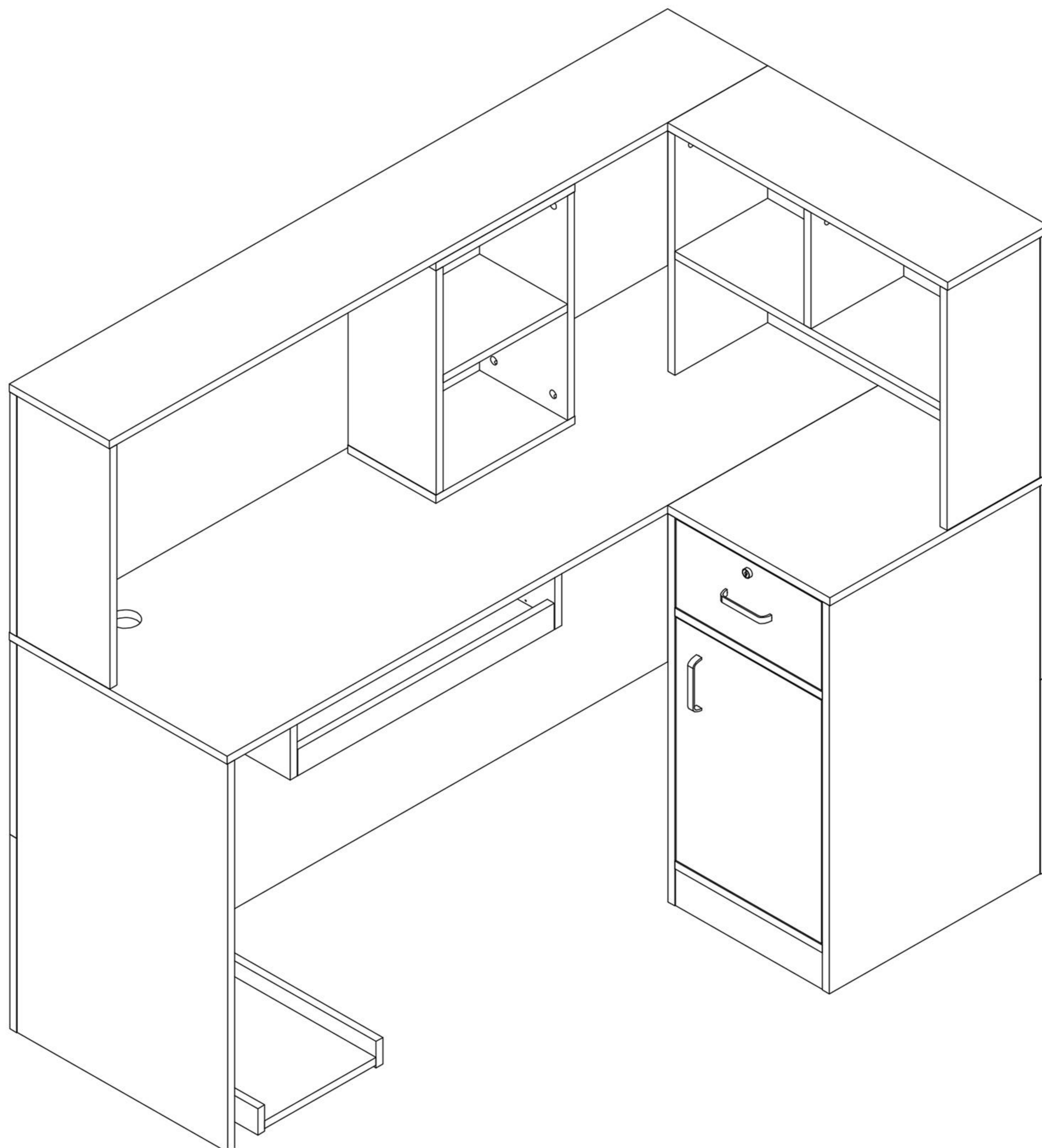


OmySalon

RECEPTION DESK

USER MANUAL



Thanks for purchasing OmySalon Reception Desk. . Please feel free to contact us if you have any problems with assembly or other after-sale issues. OmySalon customer service team is here to assist you. Email: support@omysalon.com; Website: www.omysalon.com. Please attach your user name or order ID so that we can serve you better.

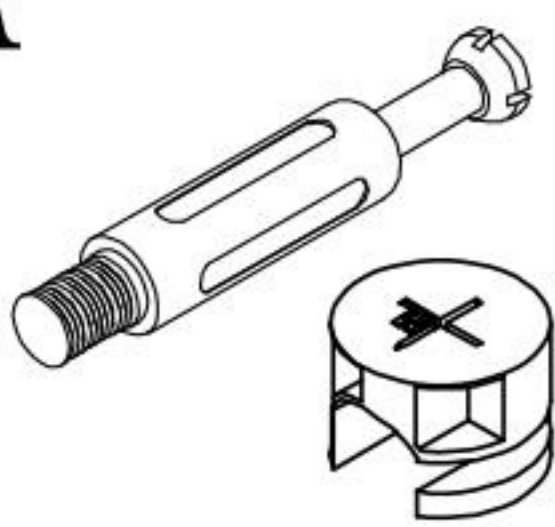
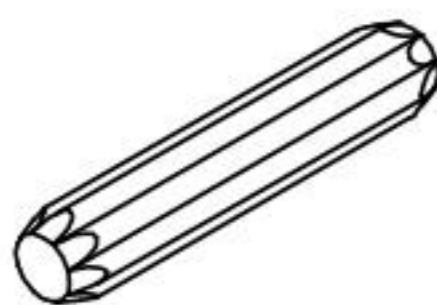

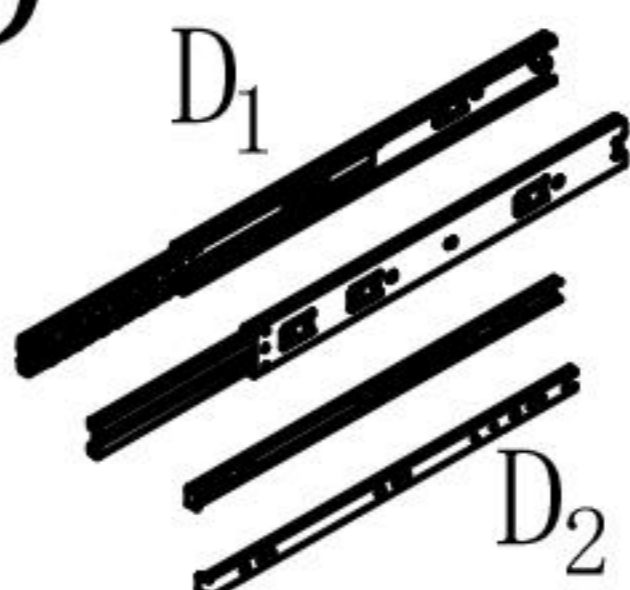
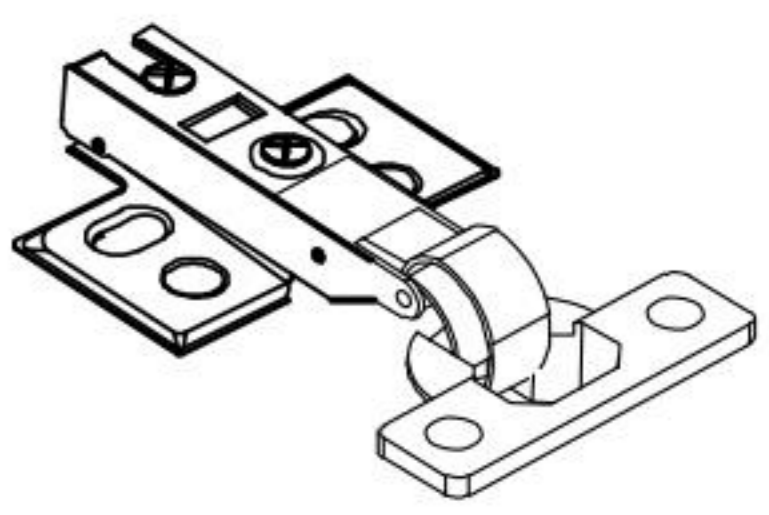
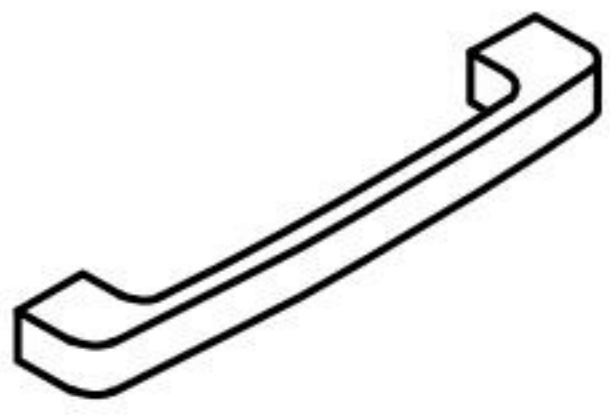

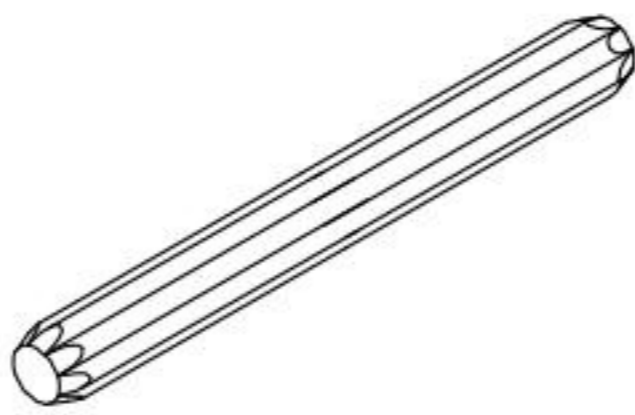
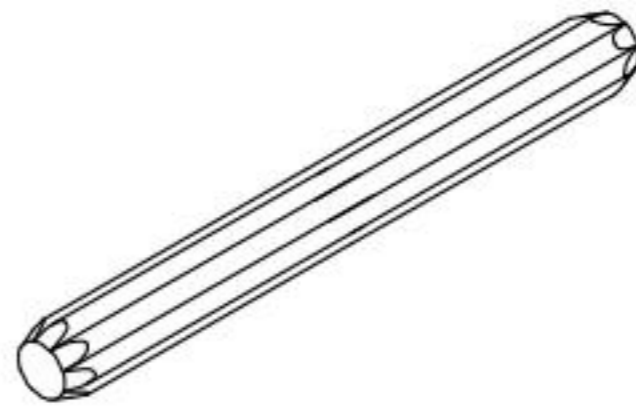



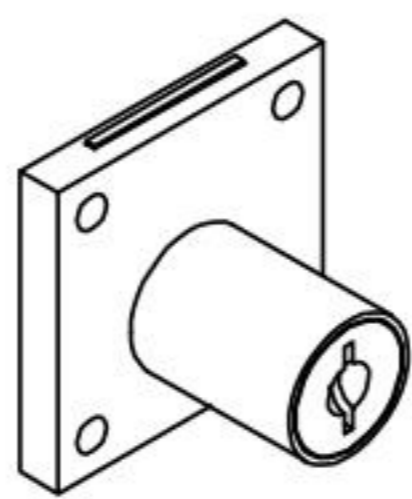
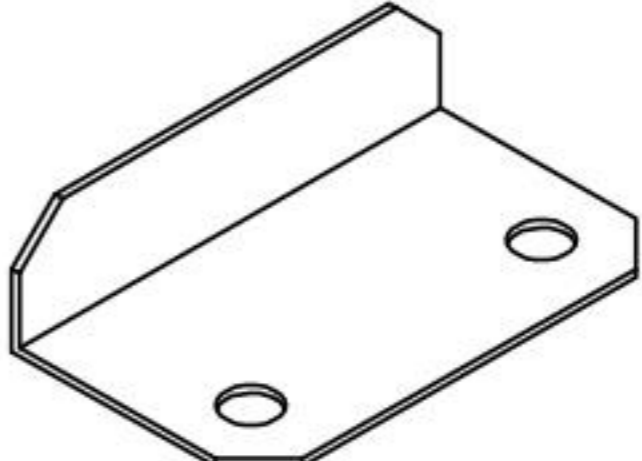
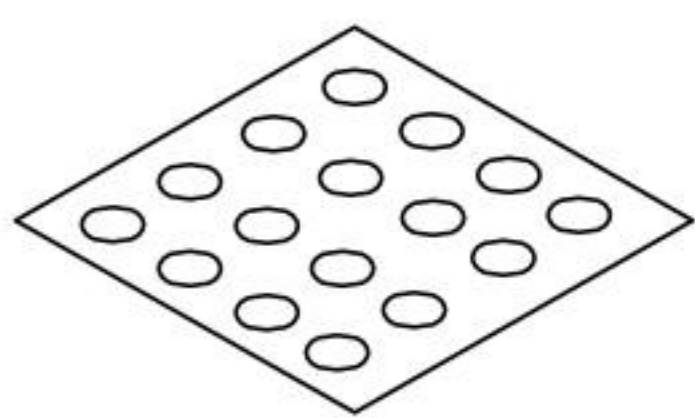
⚠ WARNING

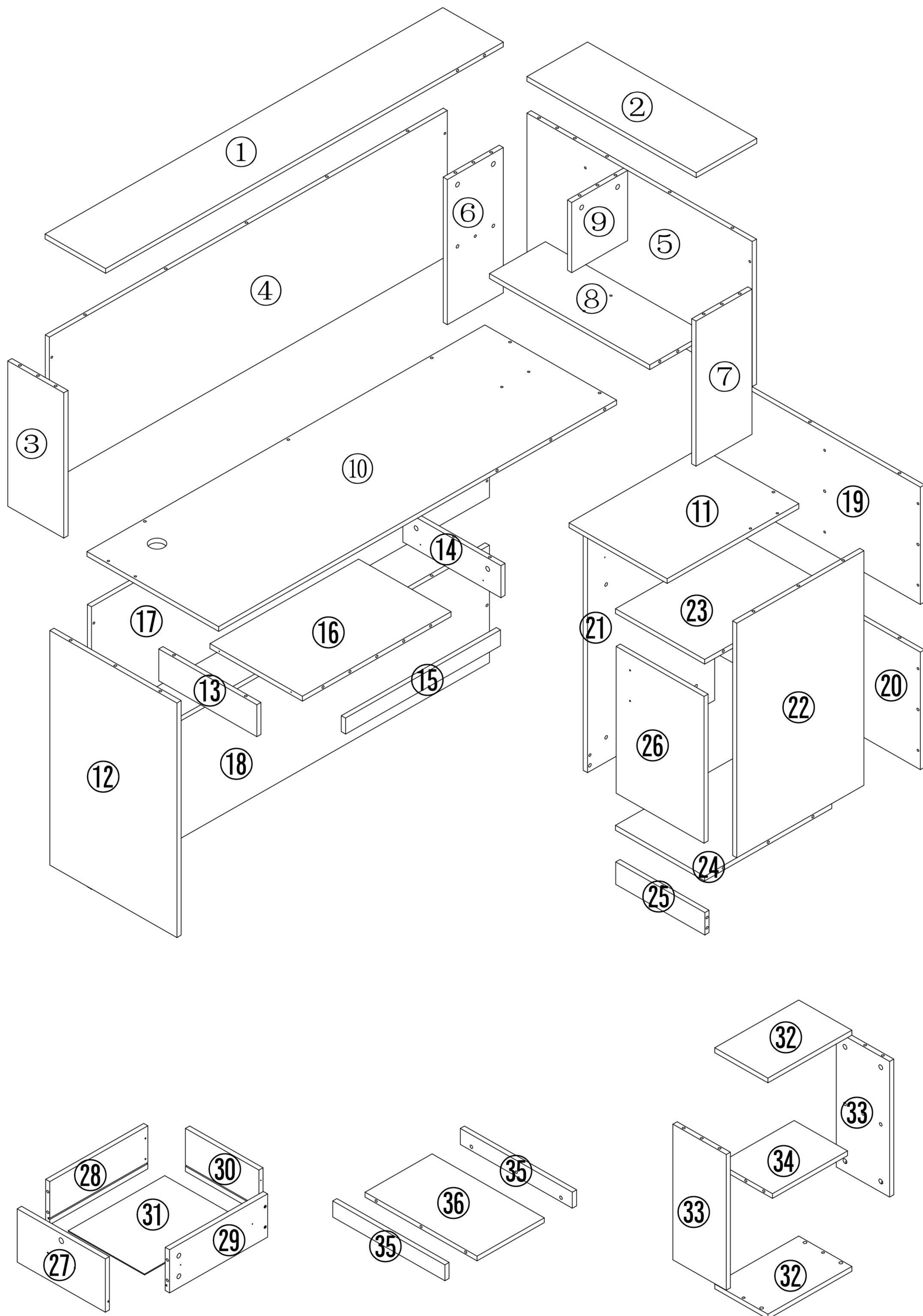


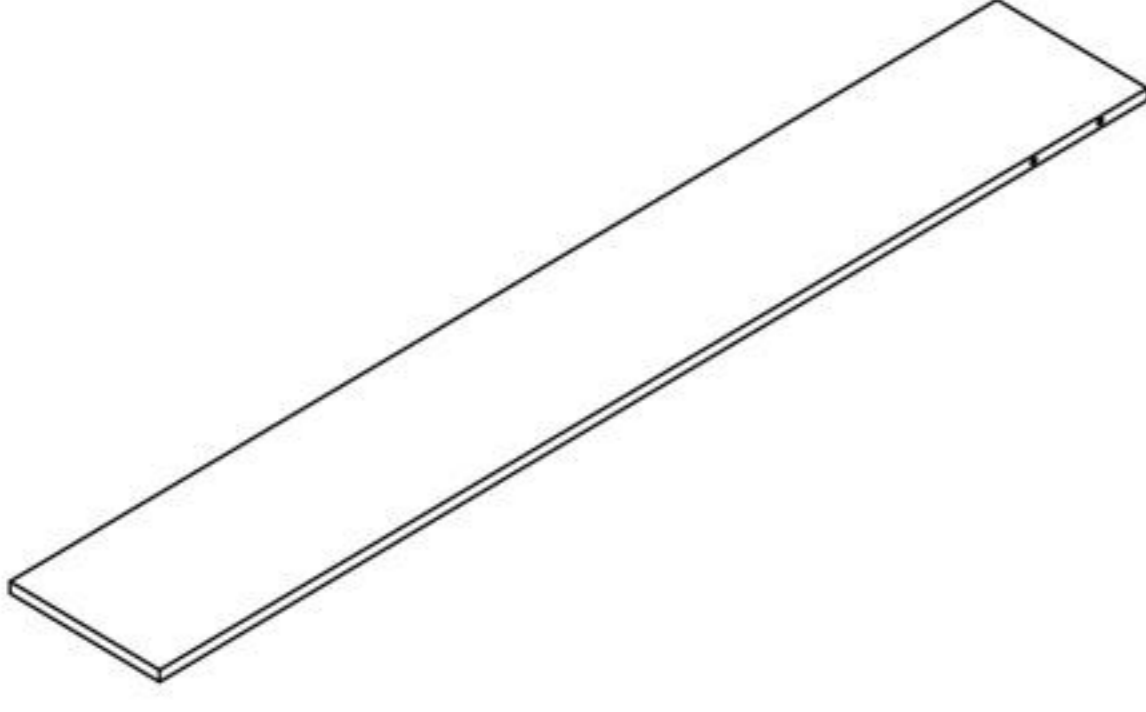
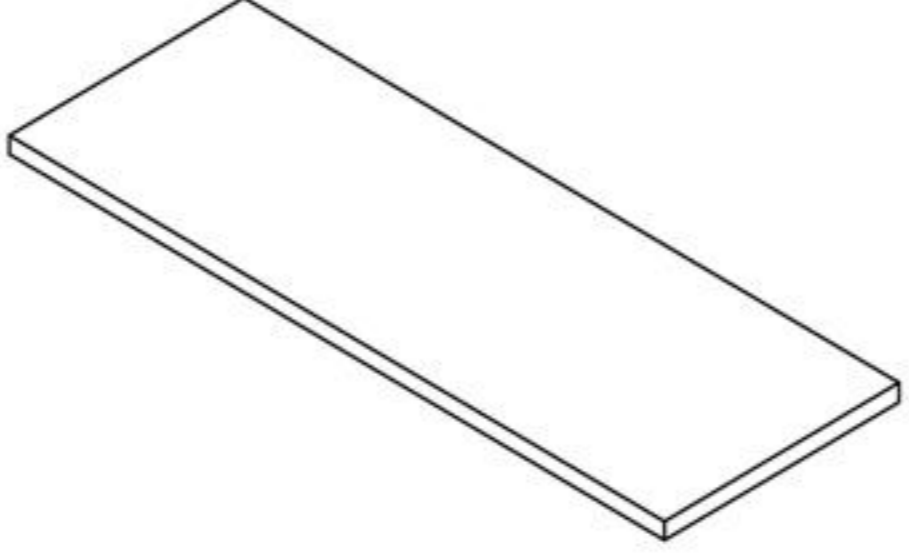

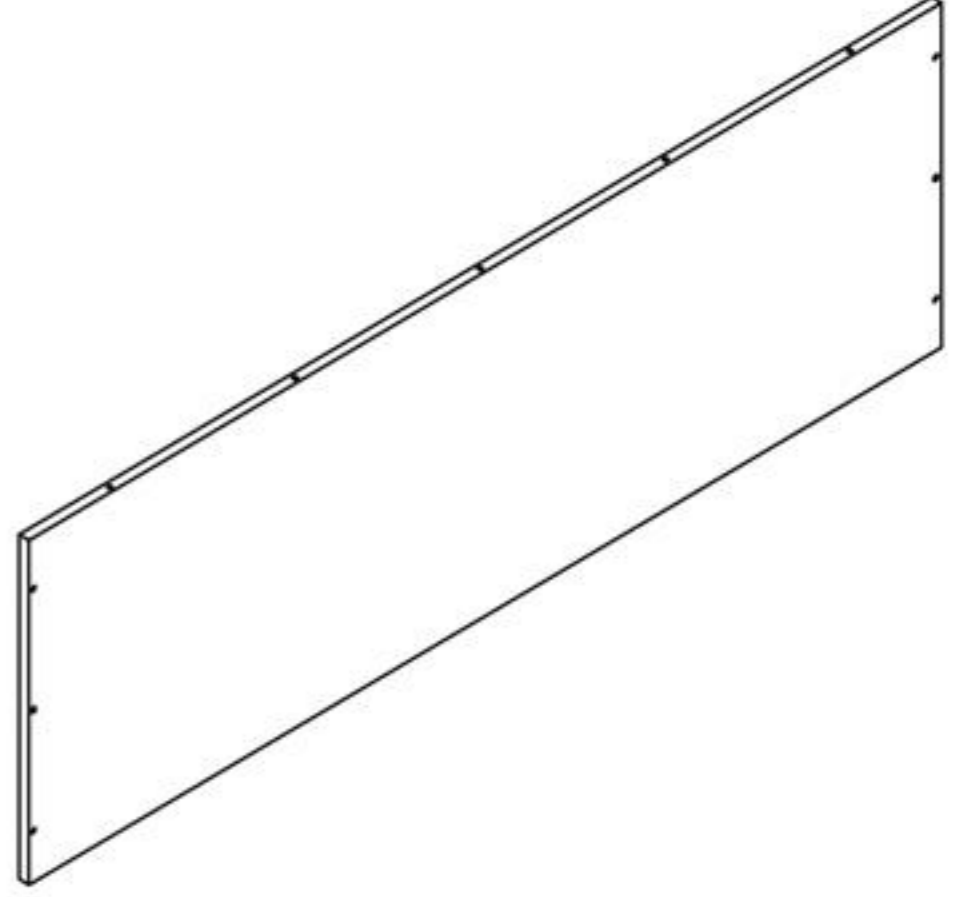
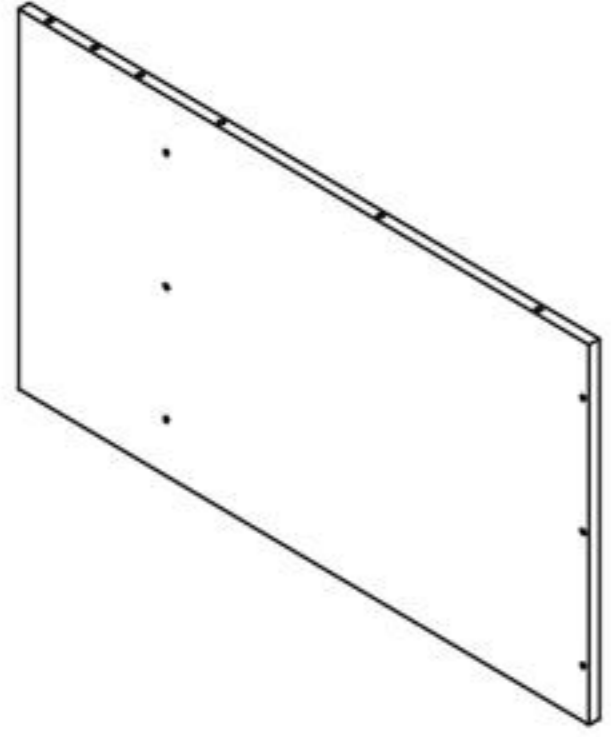
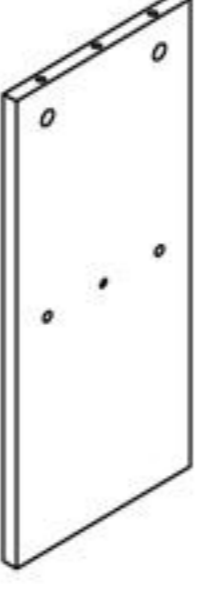
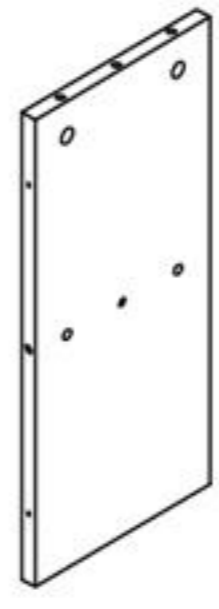
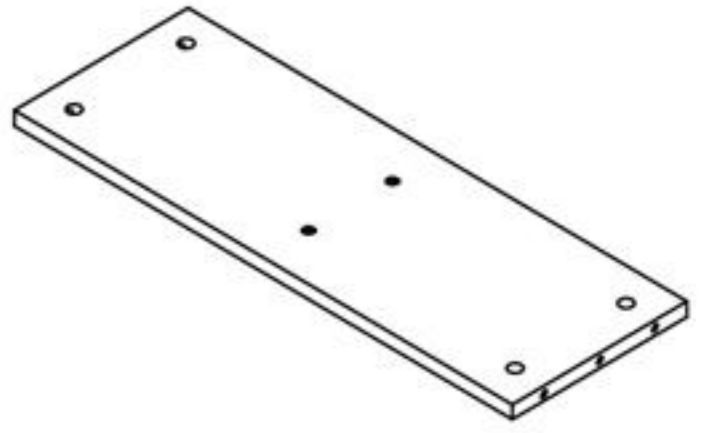
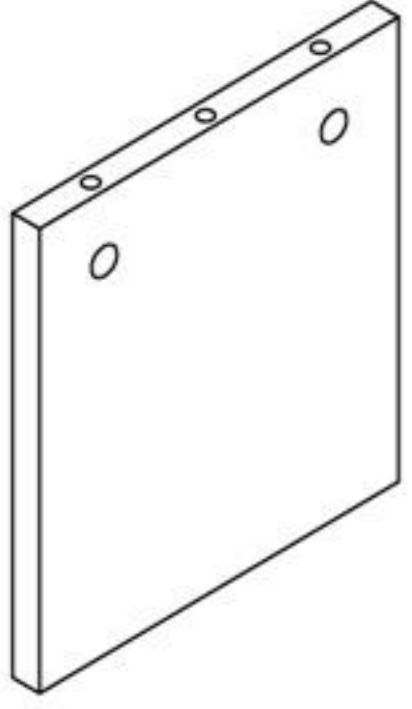
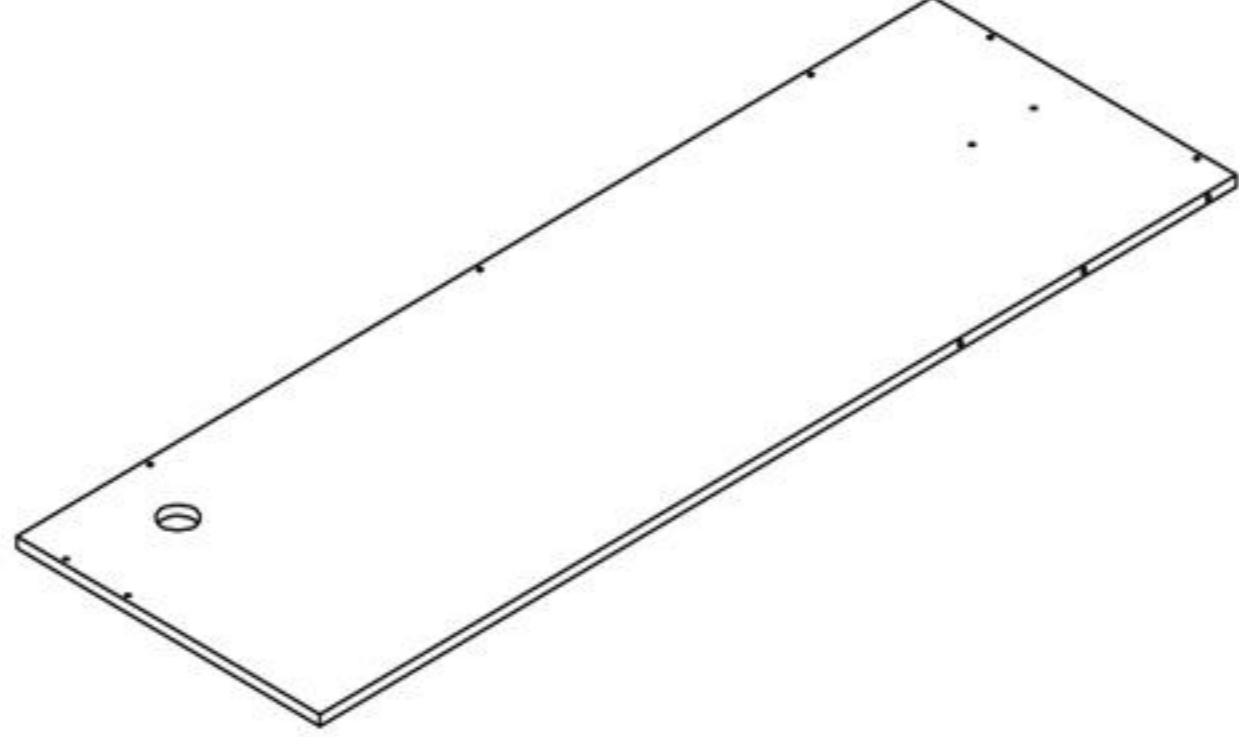
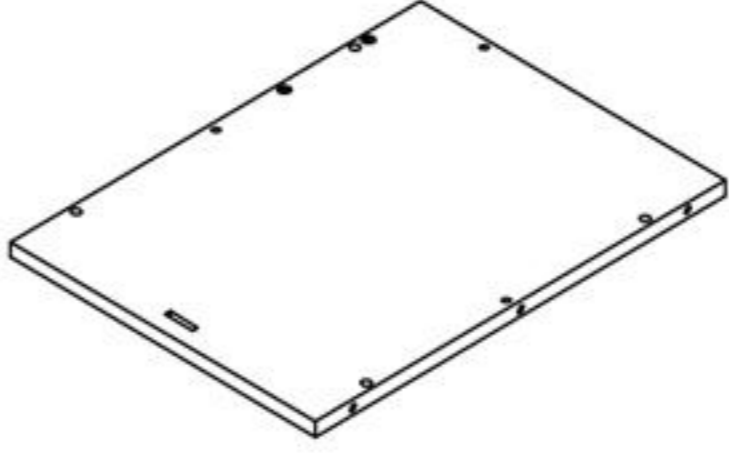
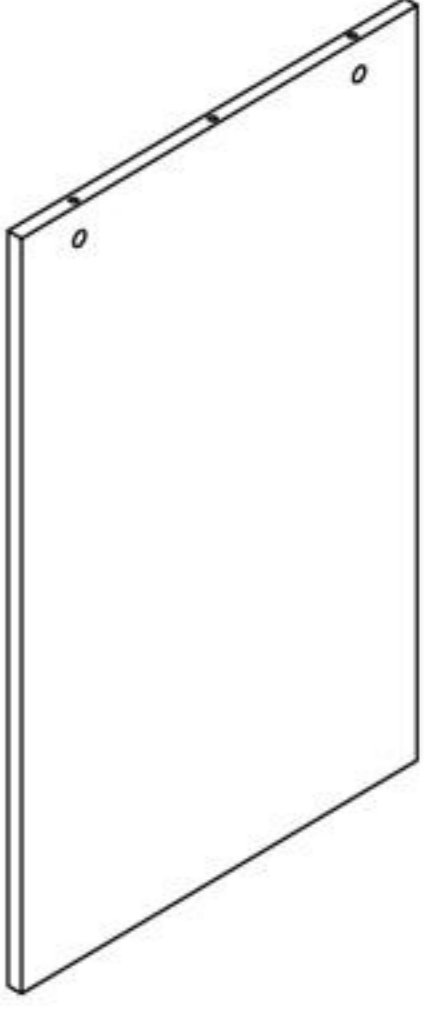
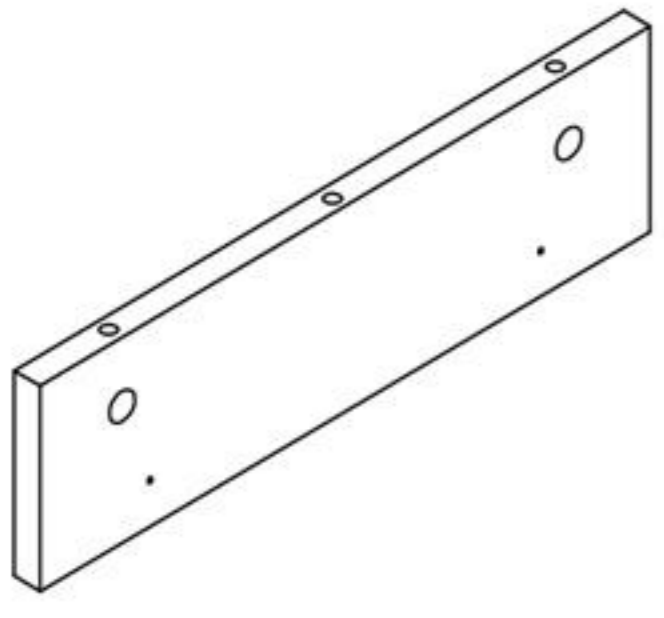
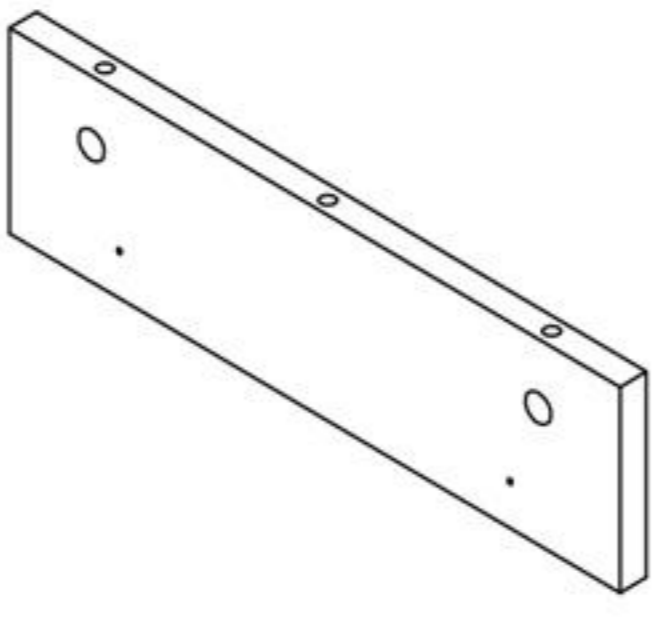
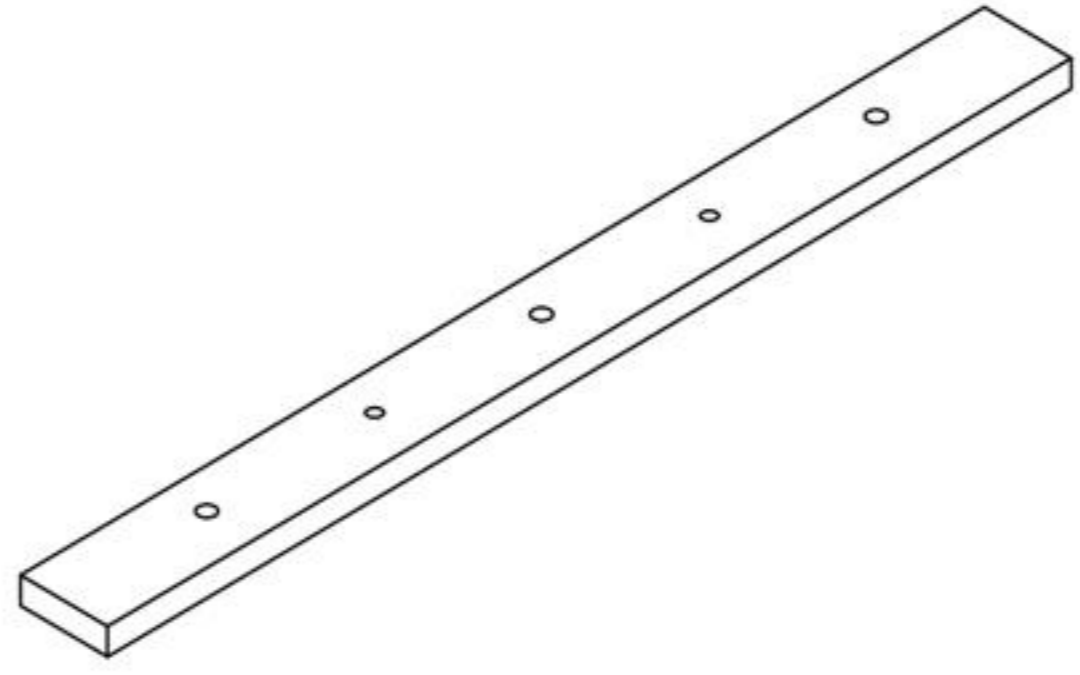
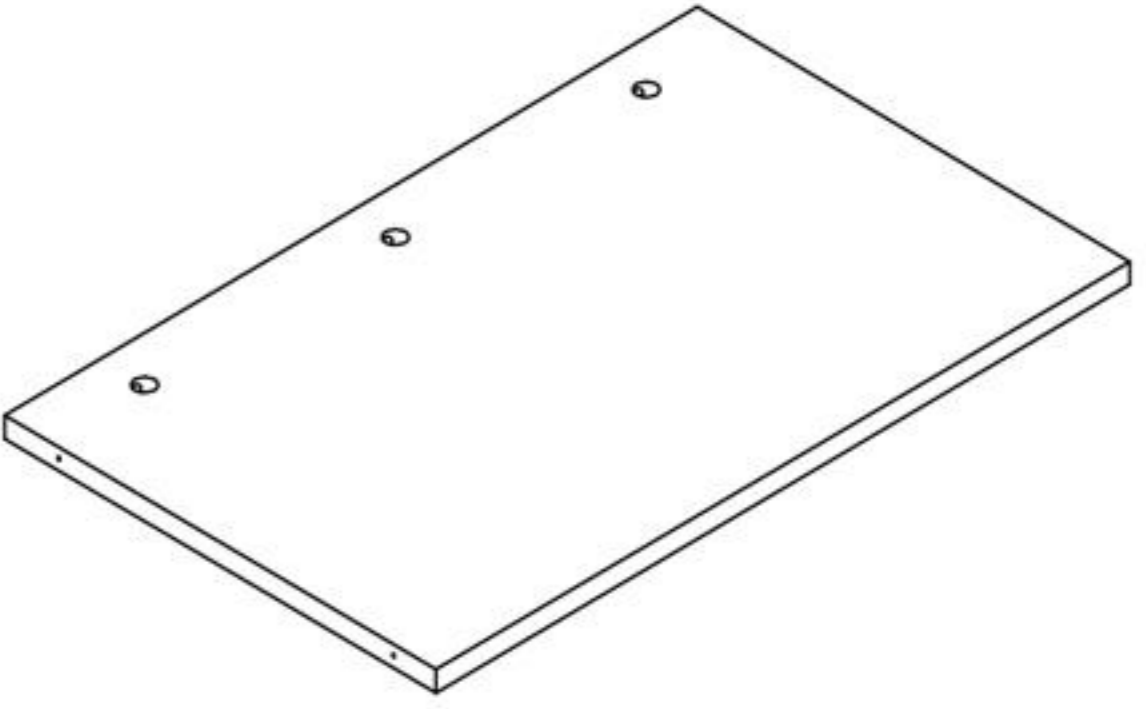
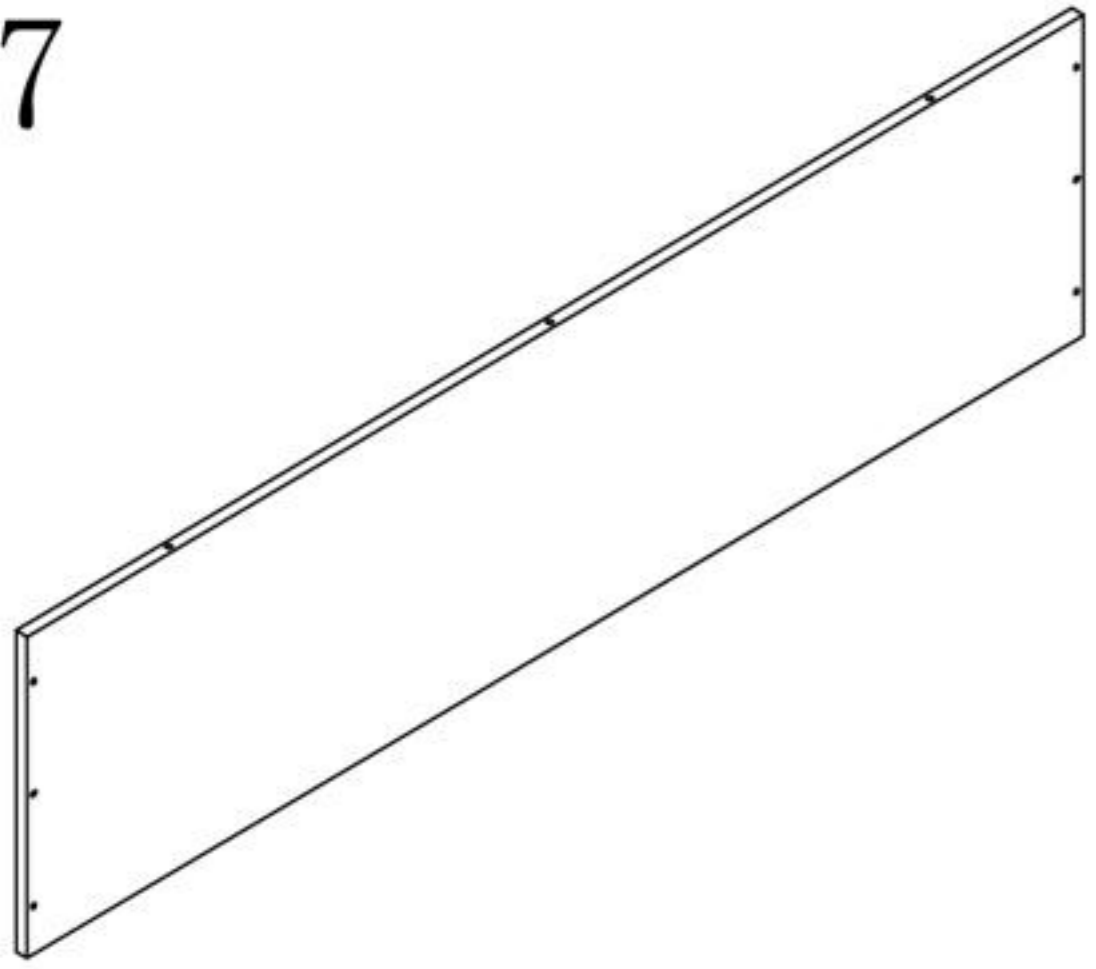
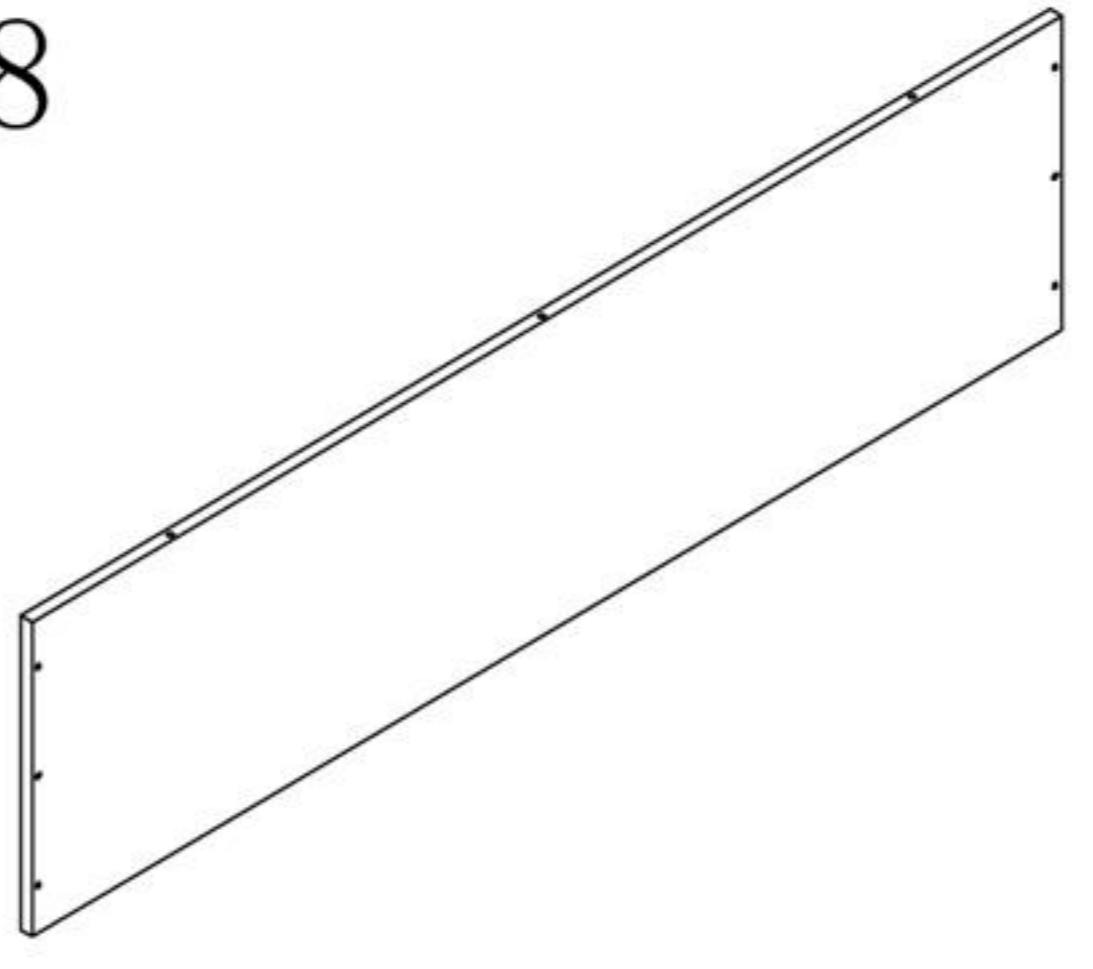
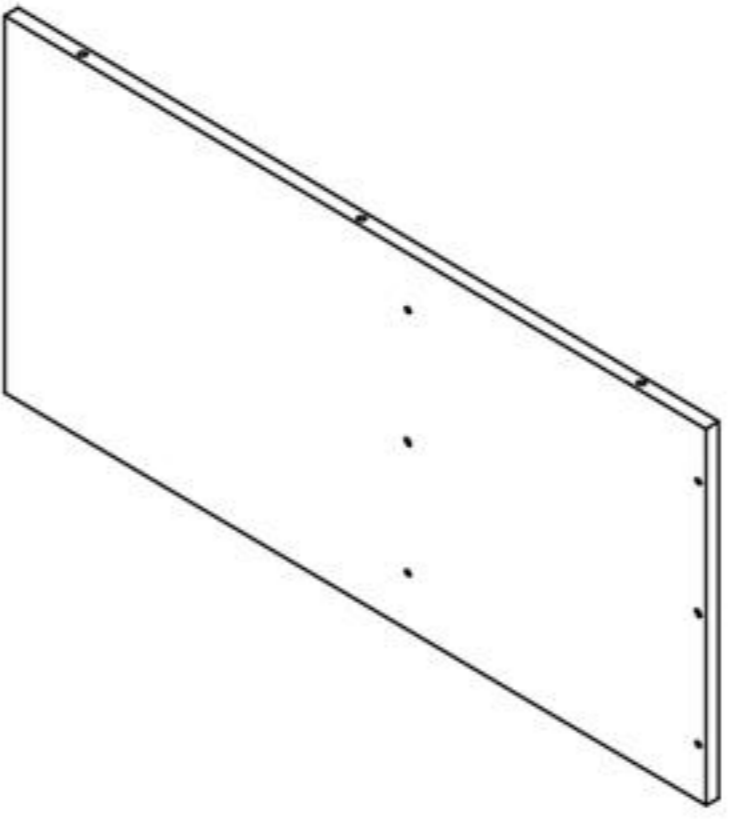
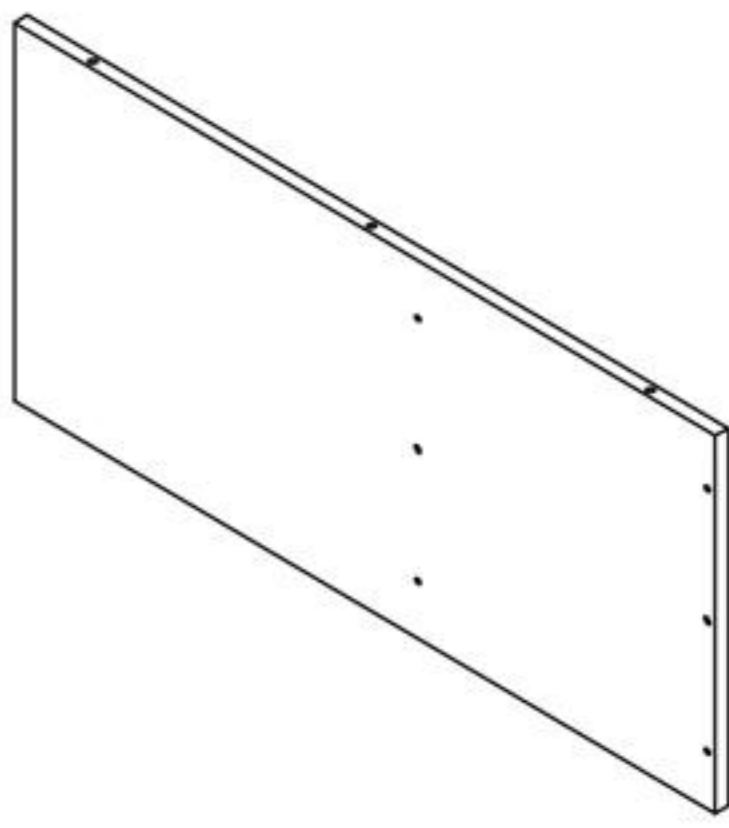
Children have died from furniture tipover. To reduce the risk of furniture tipover:

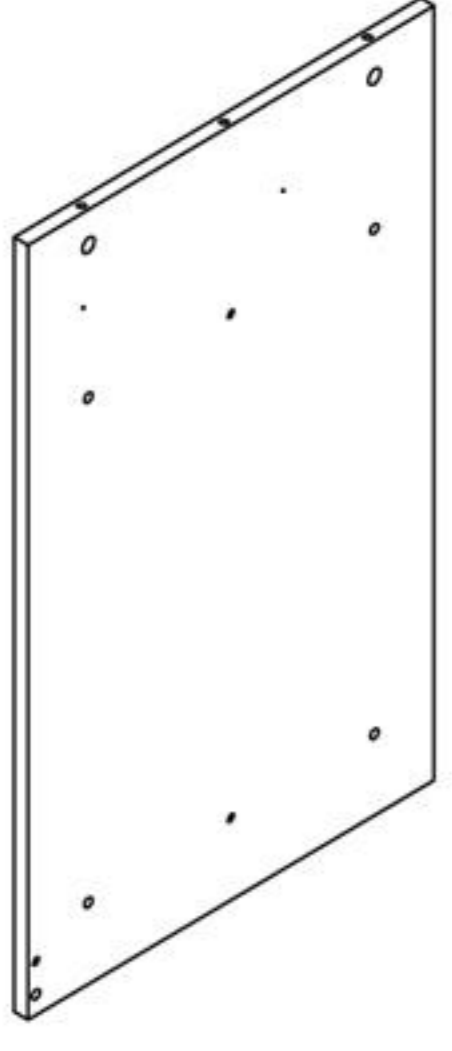
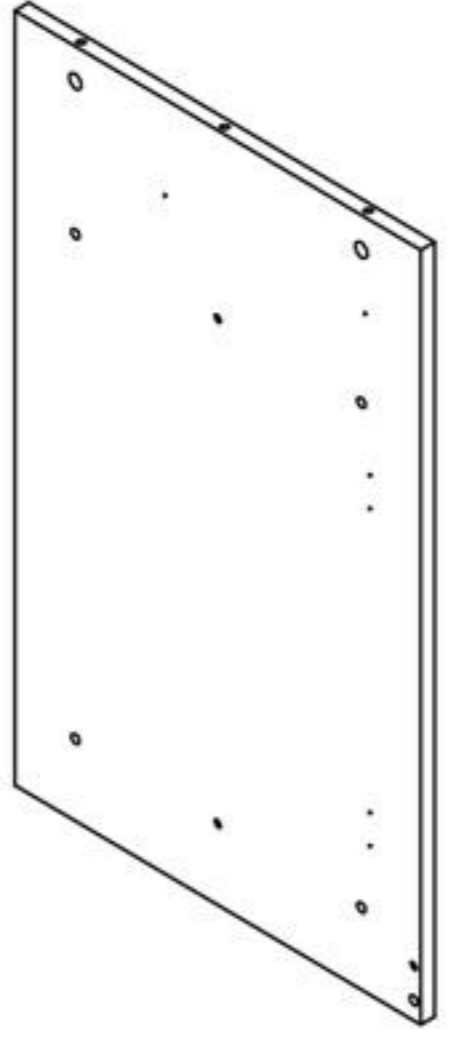
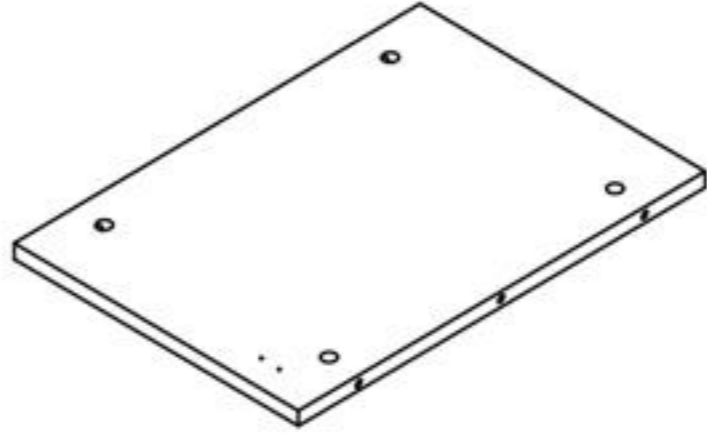
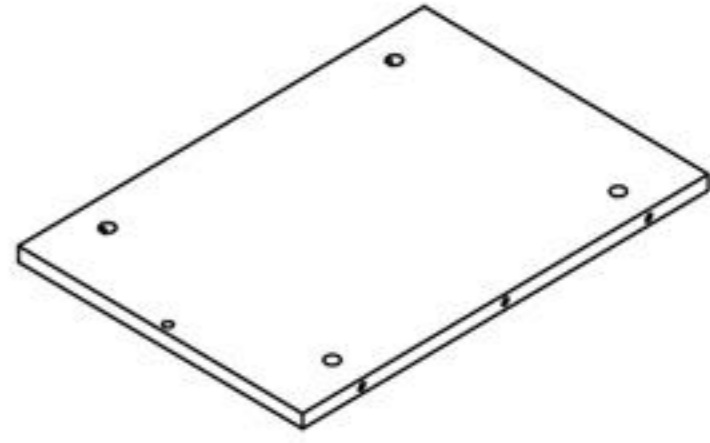
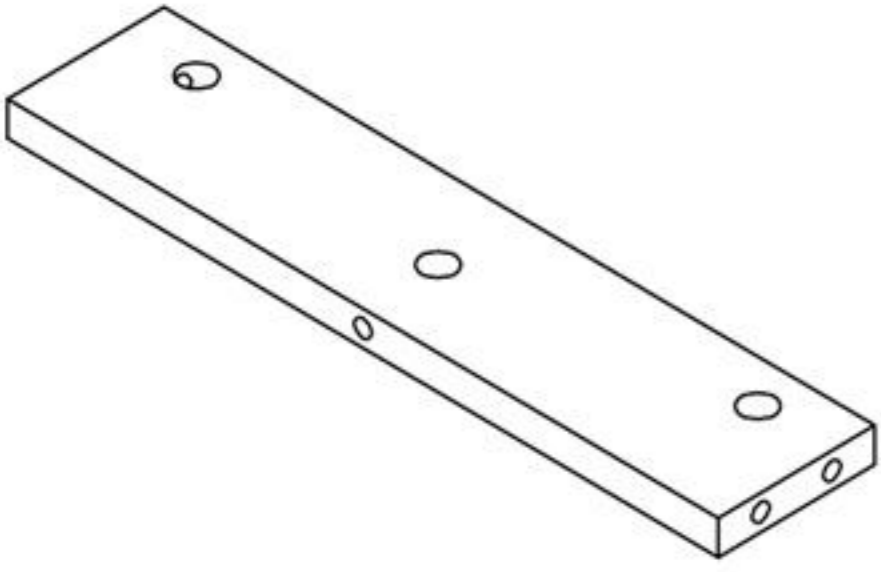
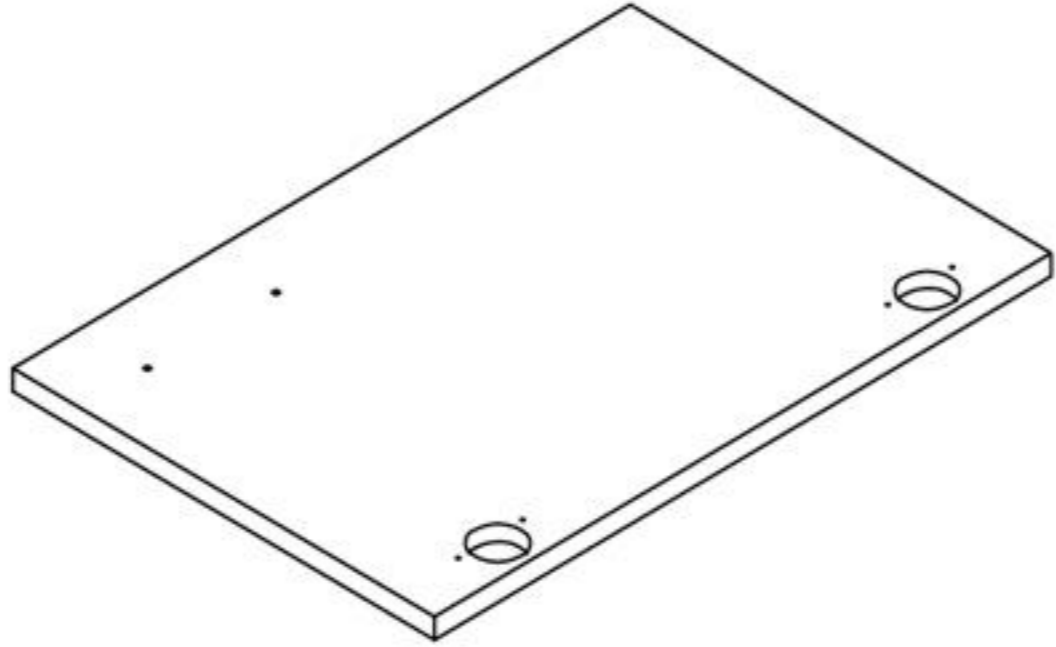
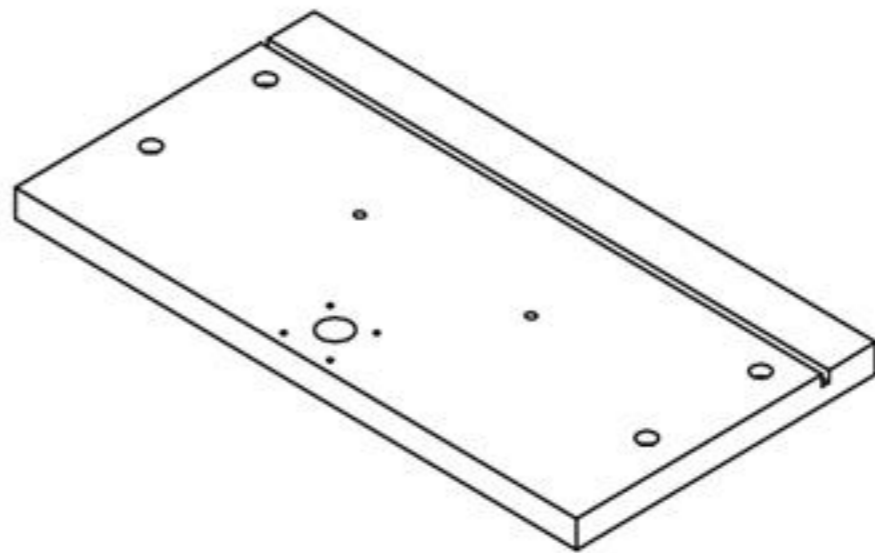
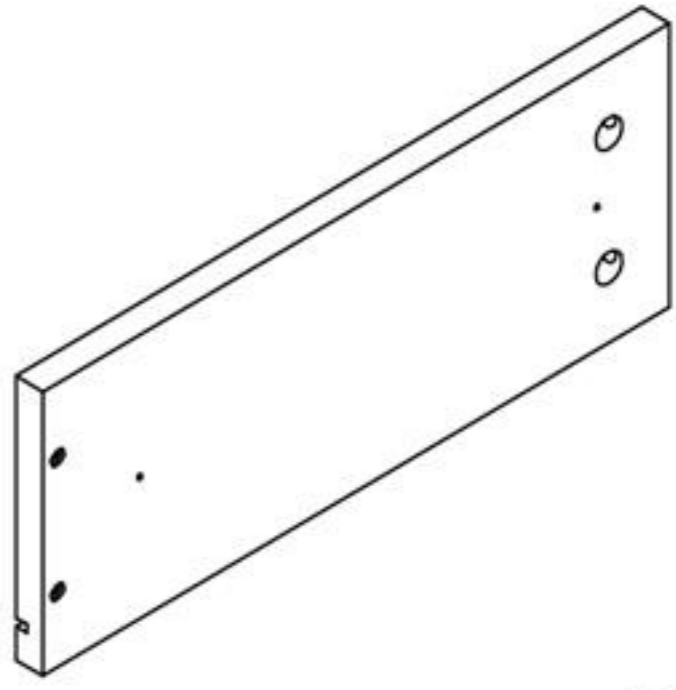
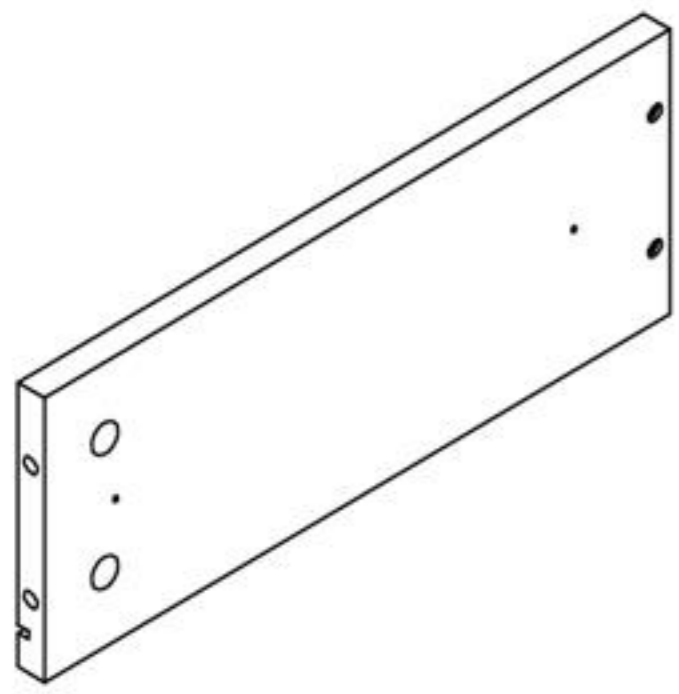
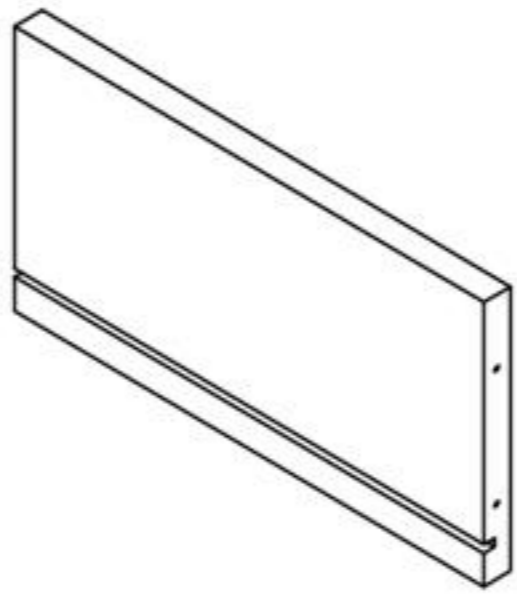
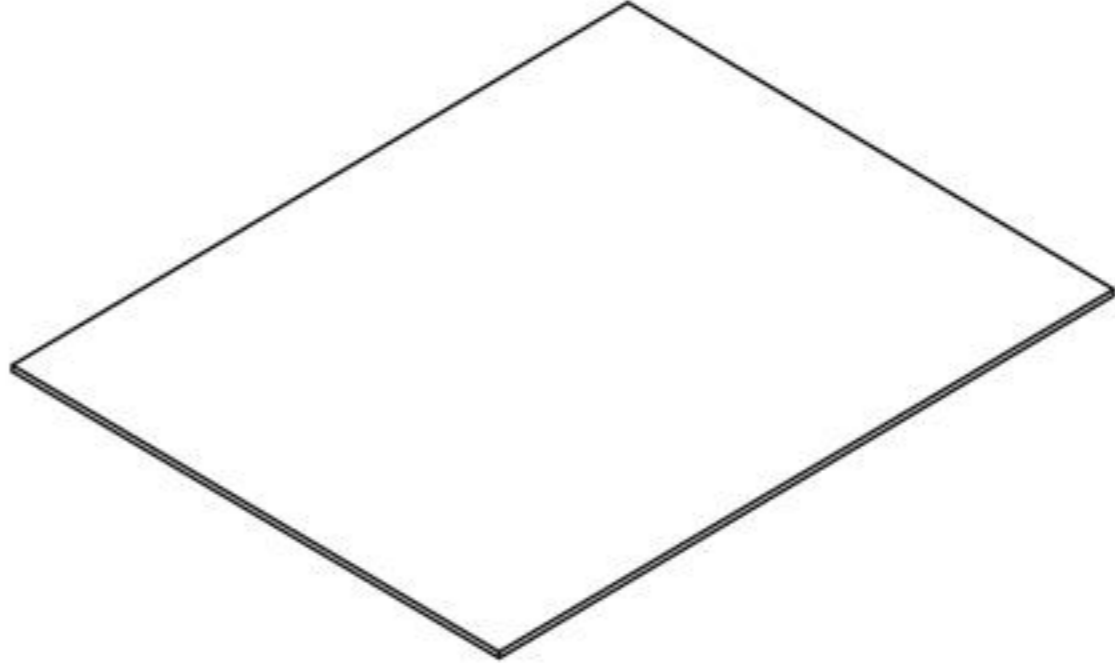
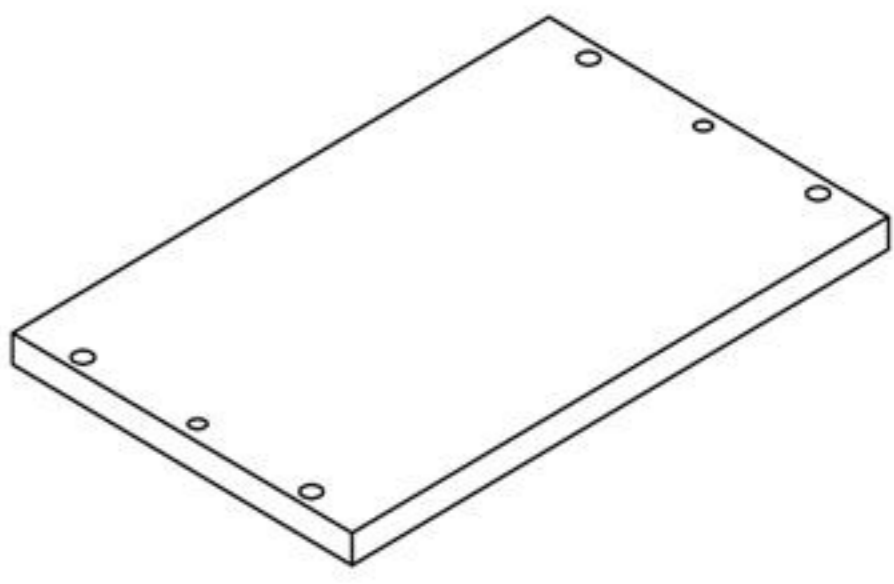
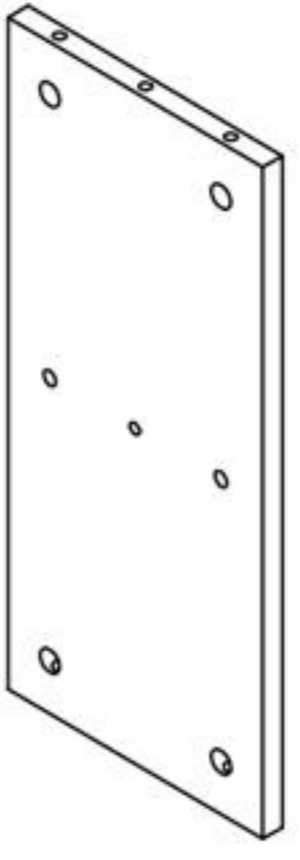
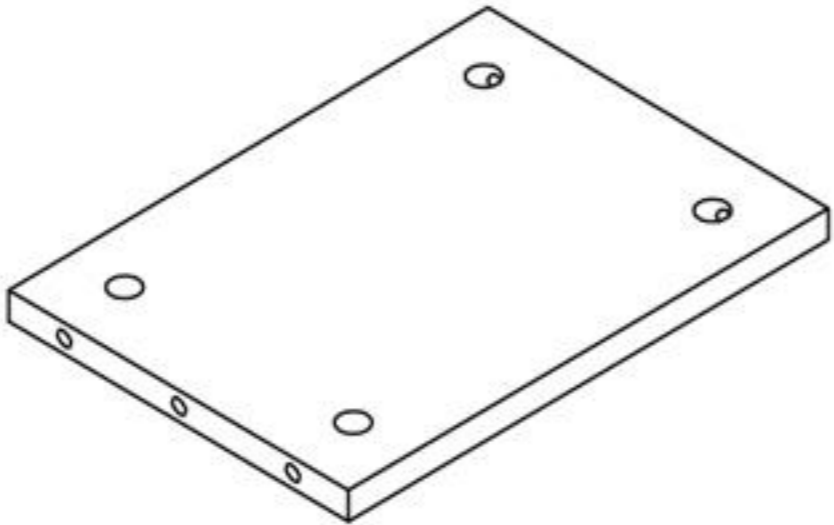
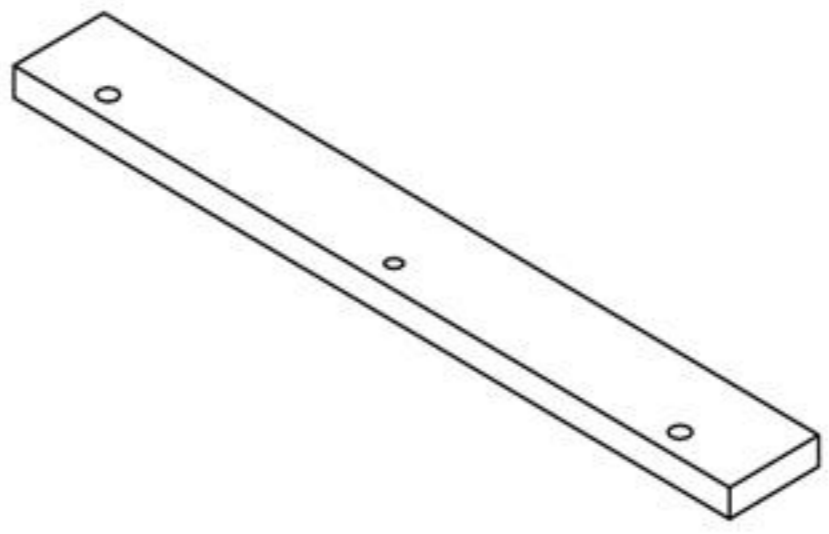
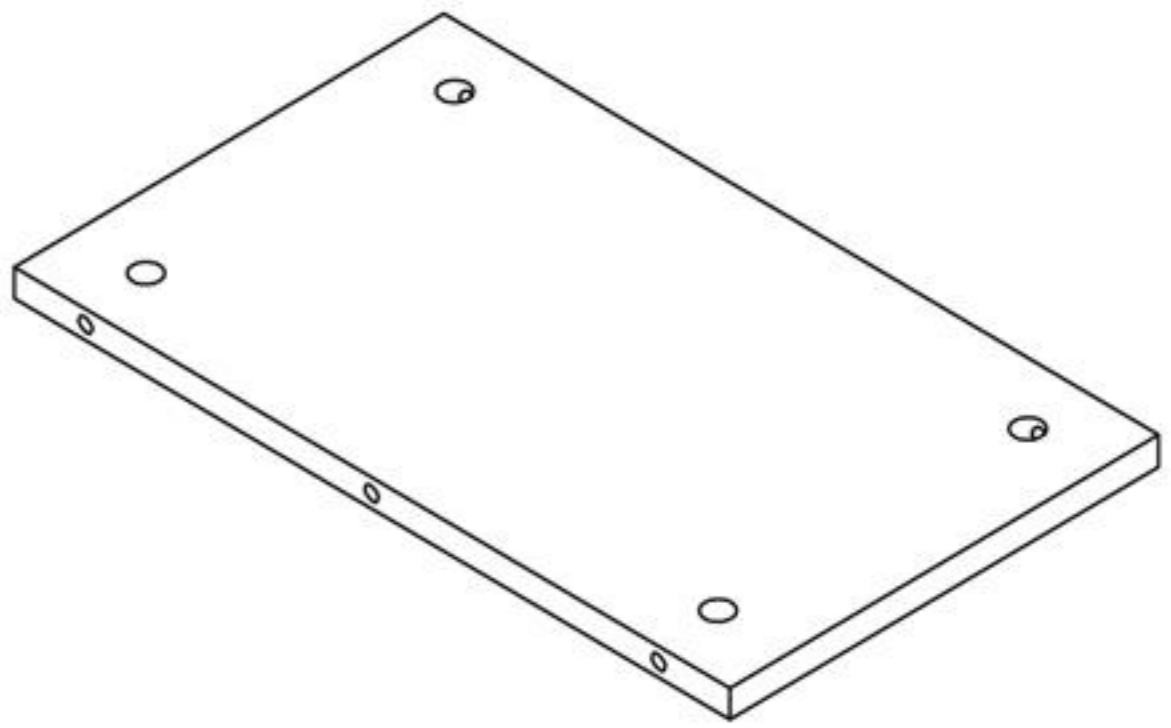
- ALWAYS install tipover restraint provided.
- NEVER put a TV on this product.
- NEVER allow children to stand, climb or hang on drawers, doors, or shelves.
- NEVER open more than one drawer at a time.
- Place heaviest items in the lowest drawers.
- Do not defeat or remove the drawer interlock system.

*This is a permanent label.
Do not remove!*

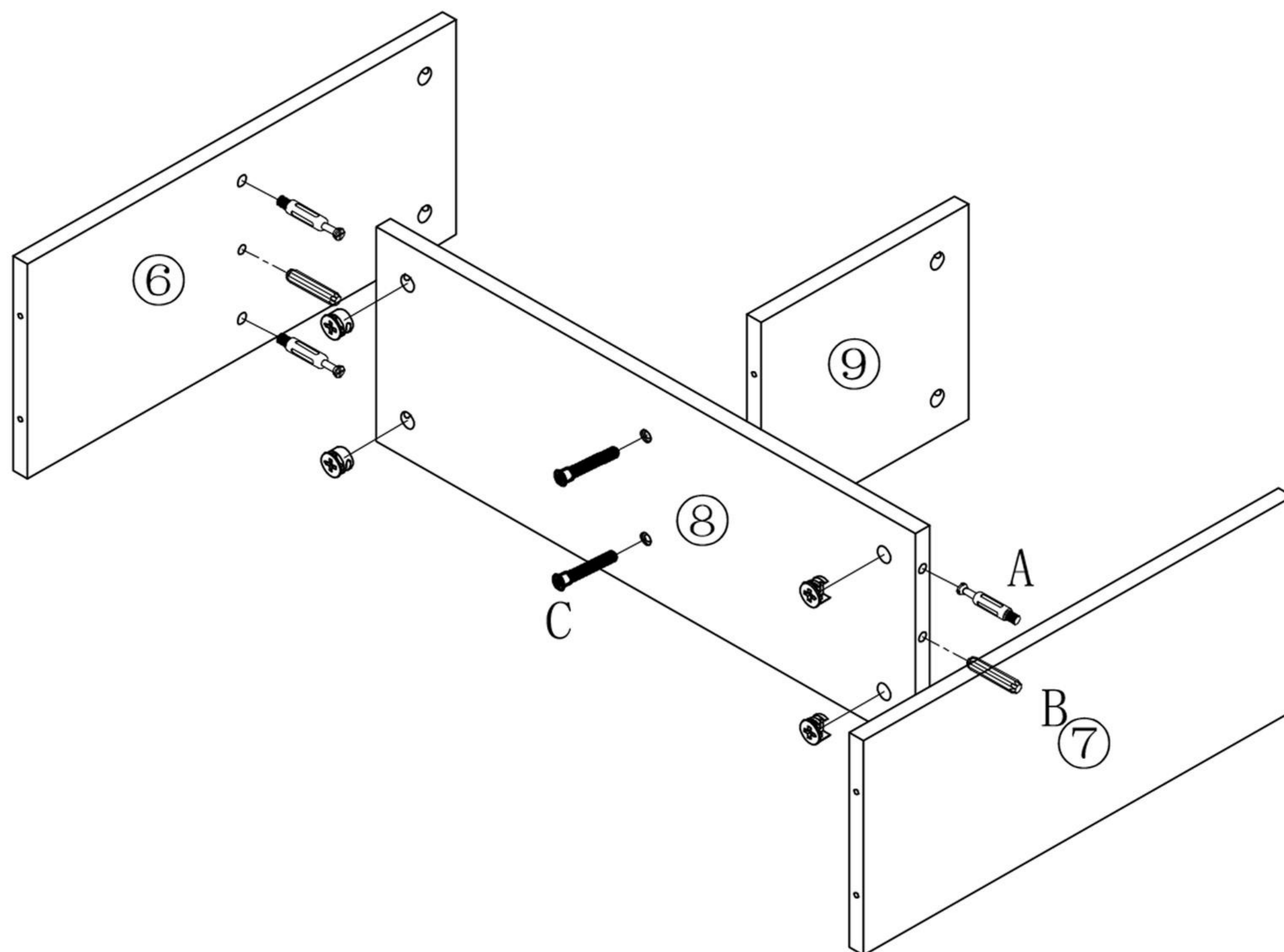
<p>A</p>  <p>63PCS</p>	<p>B 8*40</p>  <p>43PCS</p>	<p>C 7*50</p>  <p>32PCS</p>	<p>D 350MM</p>  <p>D₁ D₂ 2PCS</p>	<p>E</p>  <p>2PCS</p>
<p>F 96MM</p>  <p>2PCS</p>	<p>G 4*18</p>  <p>4PCS</p>	<p>H 8*60</p>  <p>11PCS</p>	<p>I 8*70</p>  <p>6PCS</p>	<p>J 3.5*14</p>  <p>34PCS</p>
<p>K 3.5*35</p>  <p>4PCS</p>	<p>L φ 50</p>  <p>1PCS</p>	<p>M</p>  <p>1PCS</p>	<p>N</p>  <p>1PCS</p>	<p>O</p>  <p>30PCS</p>



<p>1</p>  <p>1PC 1420*216</p>	<p>2</p>  <p>1PC 604*216</p>	<p>3</p>  <p>1PC 455*200</p>	<p>4</p>  <p>1PC 1420*455</p>
<p>5</p>  <p>1PC 804*455</p>	<p>6</p>  <p>1PC 455*200</p>	<p>7</p>  <p>1PC 455*200</p>	<p>8</p>  <p>1PC 572*200</p>
<p>9</p>  <p>1PC 220*200</p>	<p>10</p>  <p>1PC 1420*470</p>	<p>11</p>  <p>1PC 350*470</p>	<p>12</p>  <p>1PC 735*454</p>
<p>13</p>  <p>1PC 100*350</p>	<p>14</p>  <p>1PC 100*350</p>	<p>15</p>  <p>1PC 553*50</p>	<p>16</p>  <p>1PC 530*330</p>
<p>17</p>  <p>1PC 1420*367</p>	<p>18</p>  <p>1PC 1420*368</p>	<p>19</p>  <p>1PC 804*367</p>	<p>20</p>  <p>1PC 804*368</p>

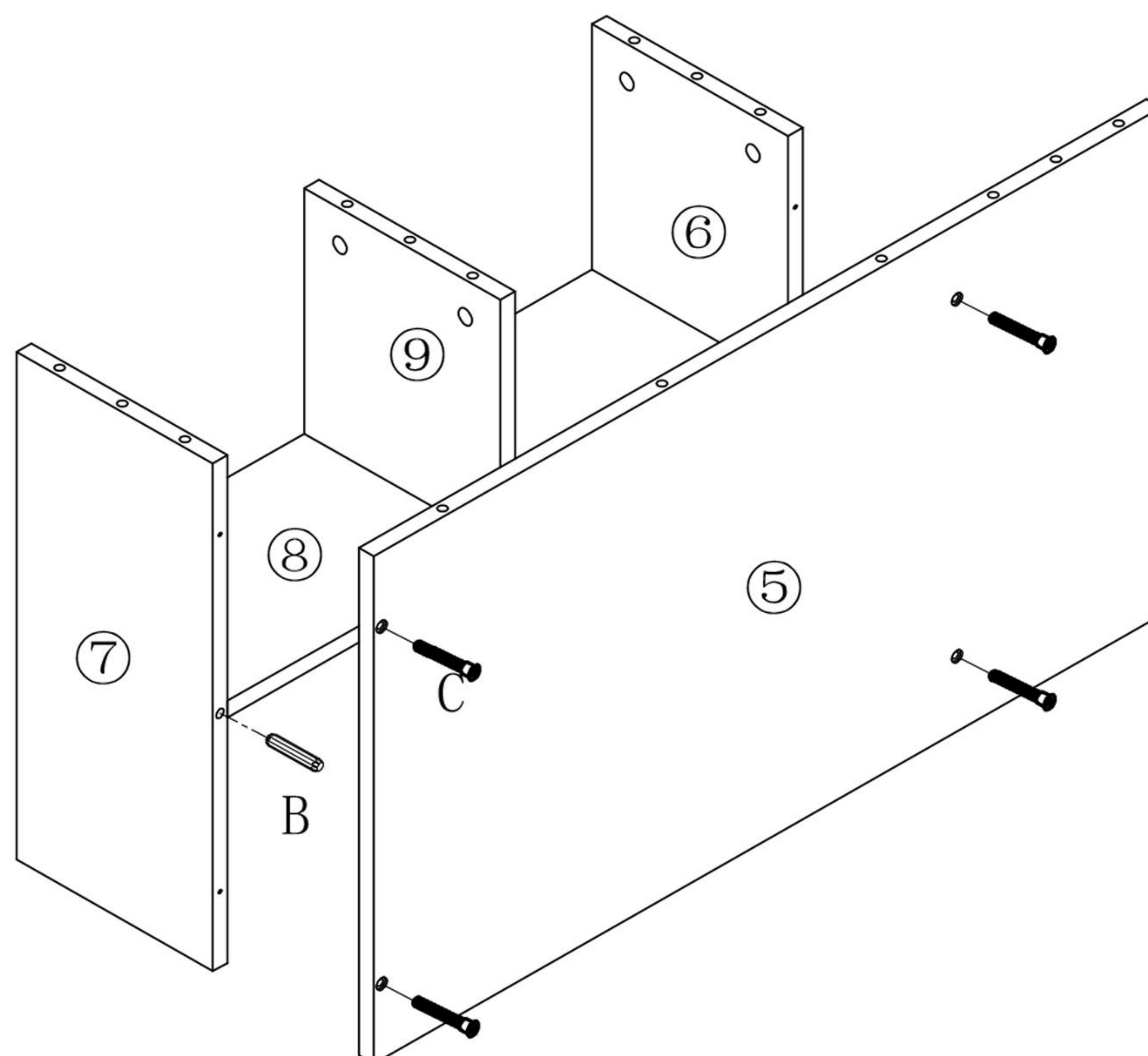
<p>21</p>  <p>1PC 735*454</p>	<p>22</p>  <p>1PC 735*454</p>	<p>23</p>  <p>1PC 318*454</p>	<p>24</p>  <p>1PC 318*454</p>
<p>25</p>  <p>1PC 318*70</p>	<p>26</p>  <p>1PC 460*314</p>	<p>27</p>  <p>1PC 314*167</p>	<p>28</p>  <p>1PC 350*135</p>
<p>29</p>  <p>1PC 350*135</p>	<p>30</p>  <p>1PC 262*135</p>	<p>31</p>  <p>1PC 272*344</p>	<p>32</p>  <p>2PCS 300*190</p>
<p>33</p>  <p>2PCS 425*190</p>	<p>34</p>  <p>1PC 268*190</p>	<p>35</p>  <p>2PCS 400*50</p>	<p>36</p>  <p>1PC 400*240</p>

1



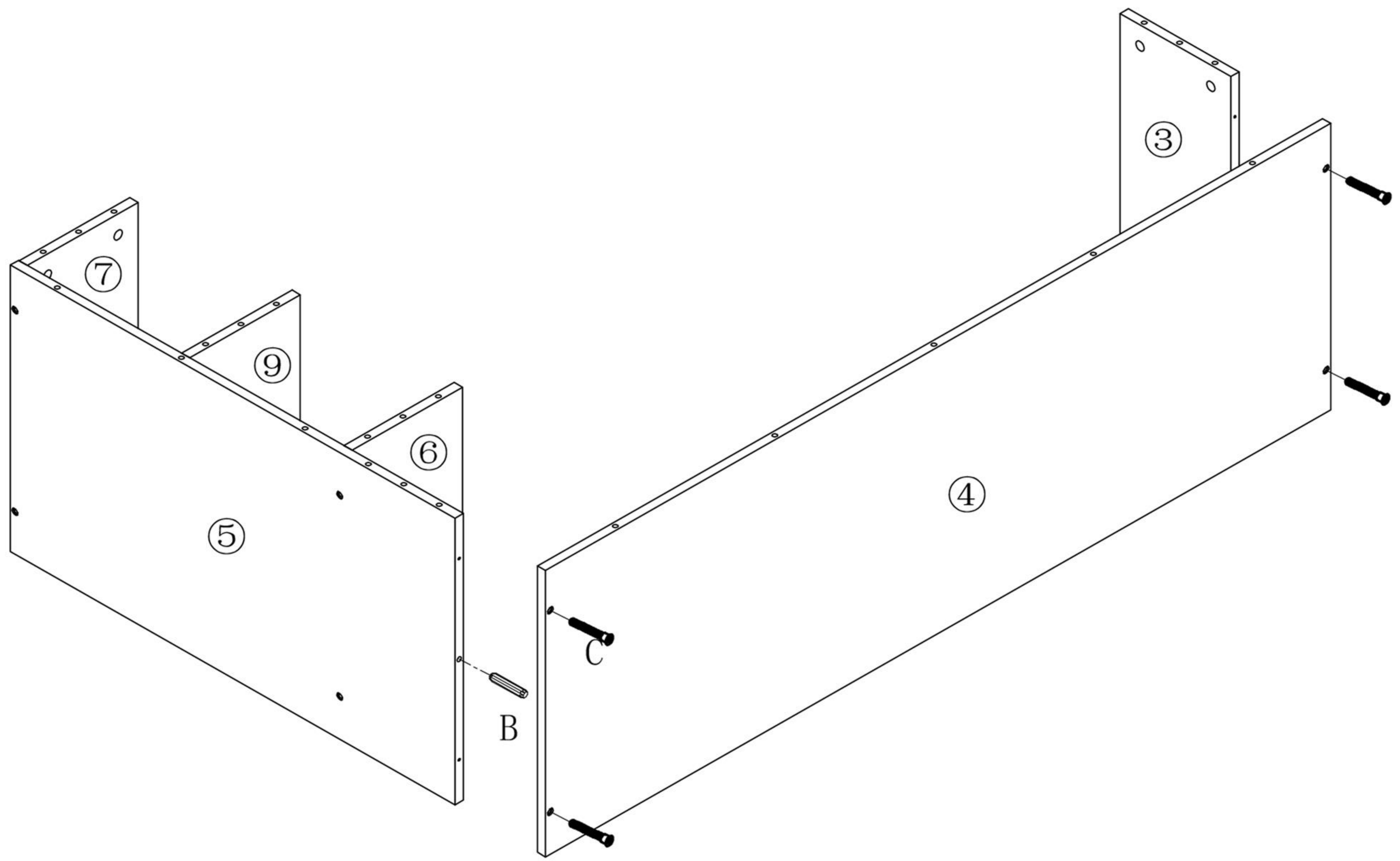
A*4 B*2 C*2

2



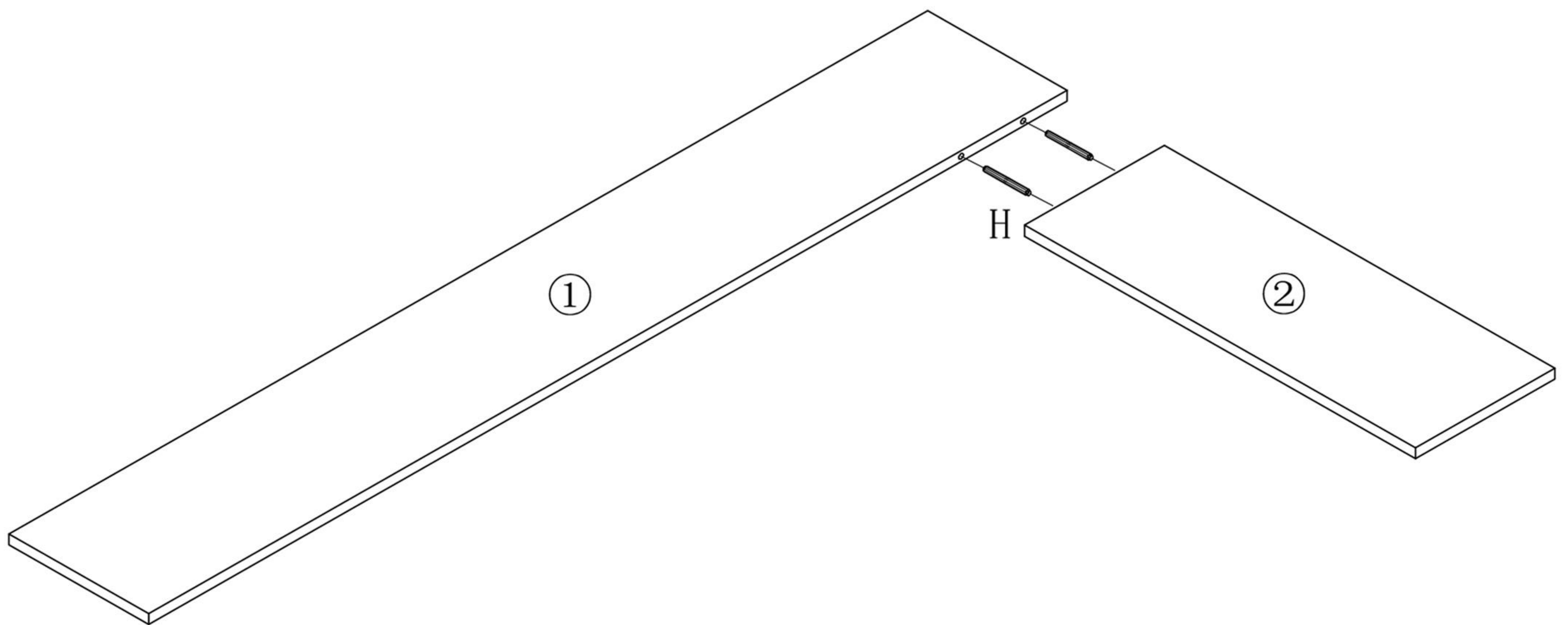
B*2 C*4

3



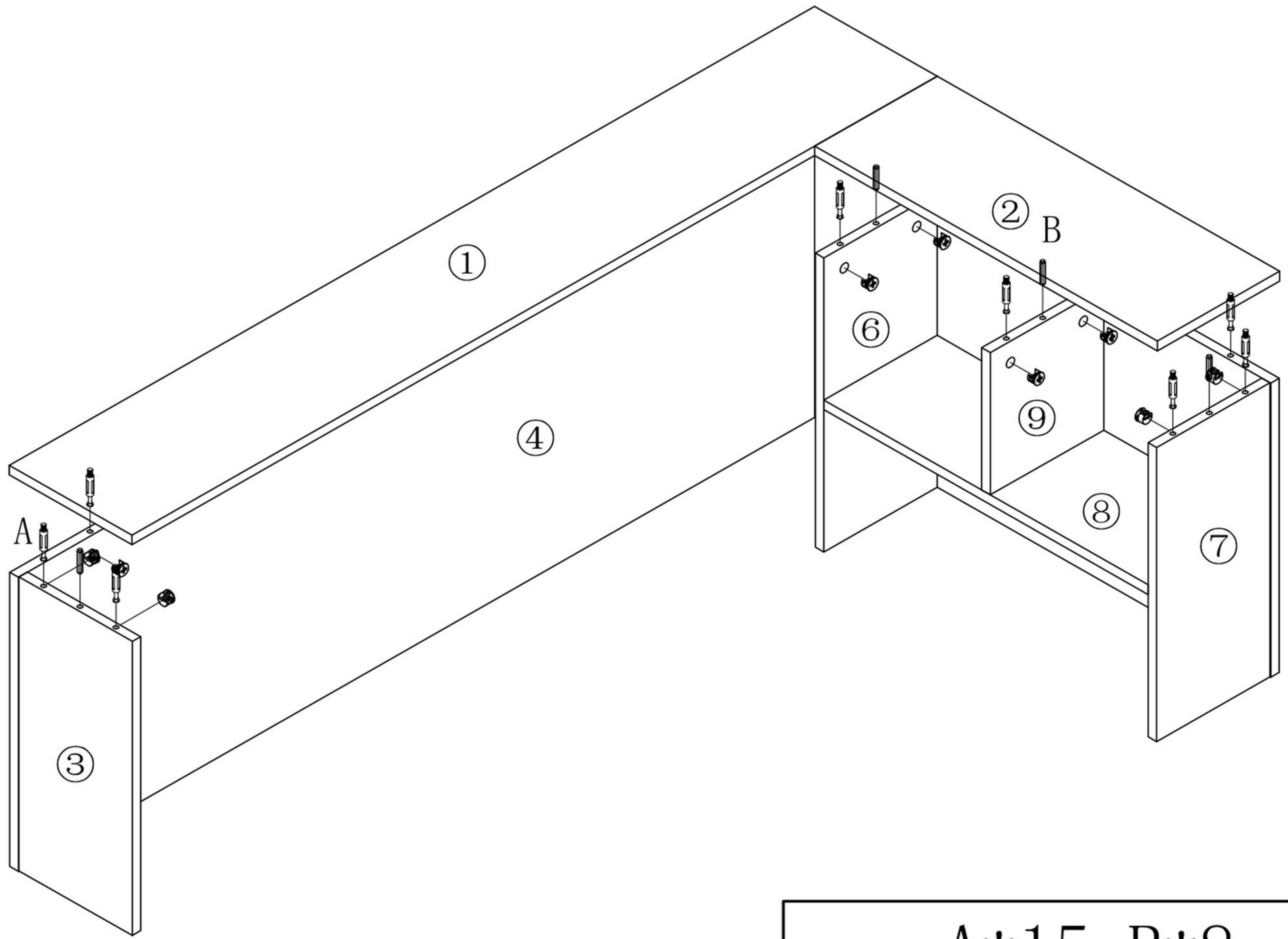
B*2 C*4

4



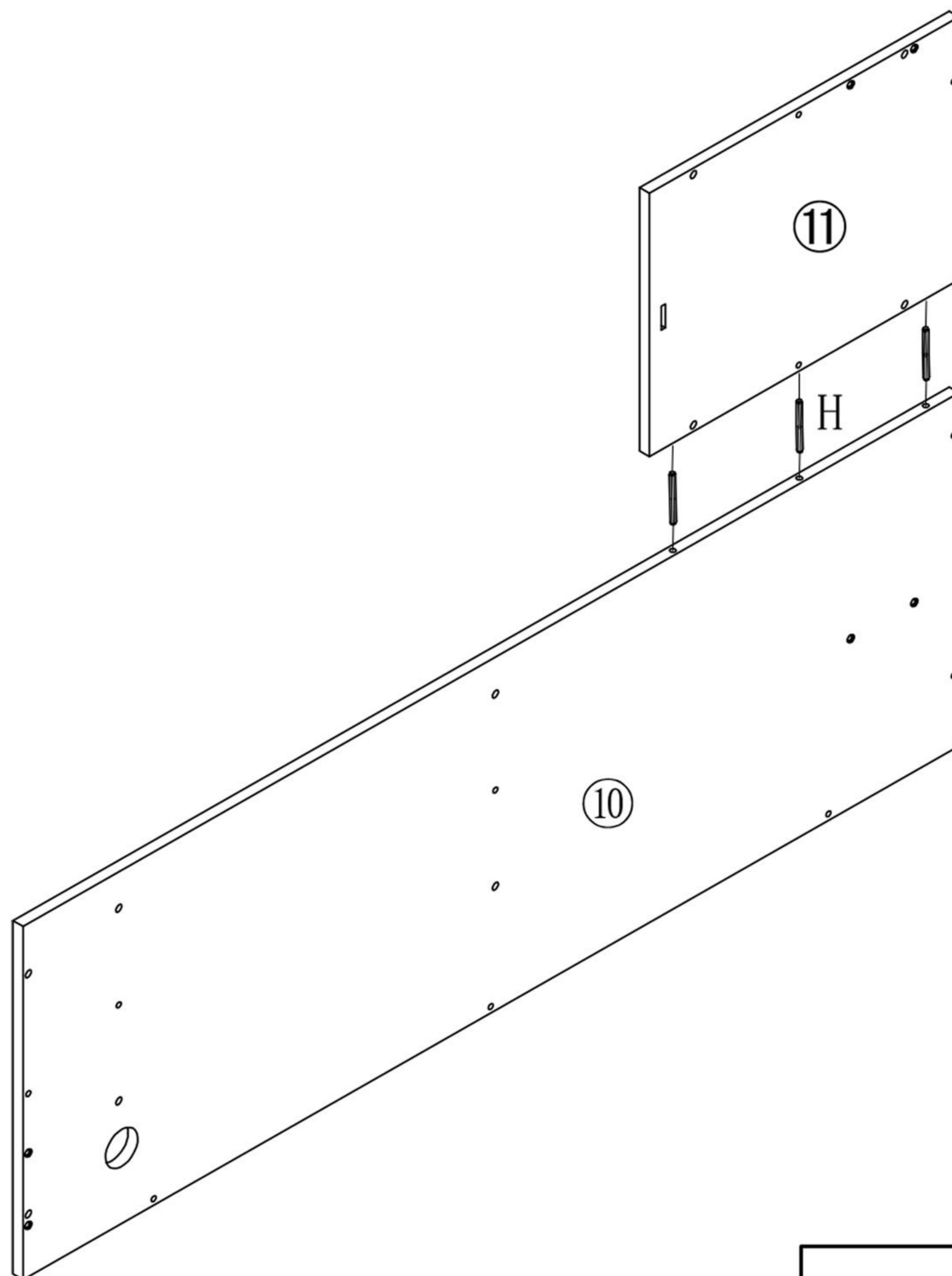
H*2

5



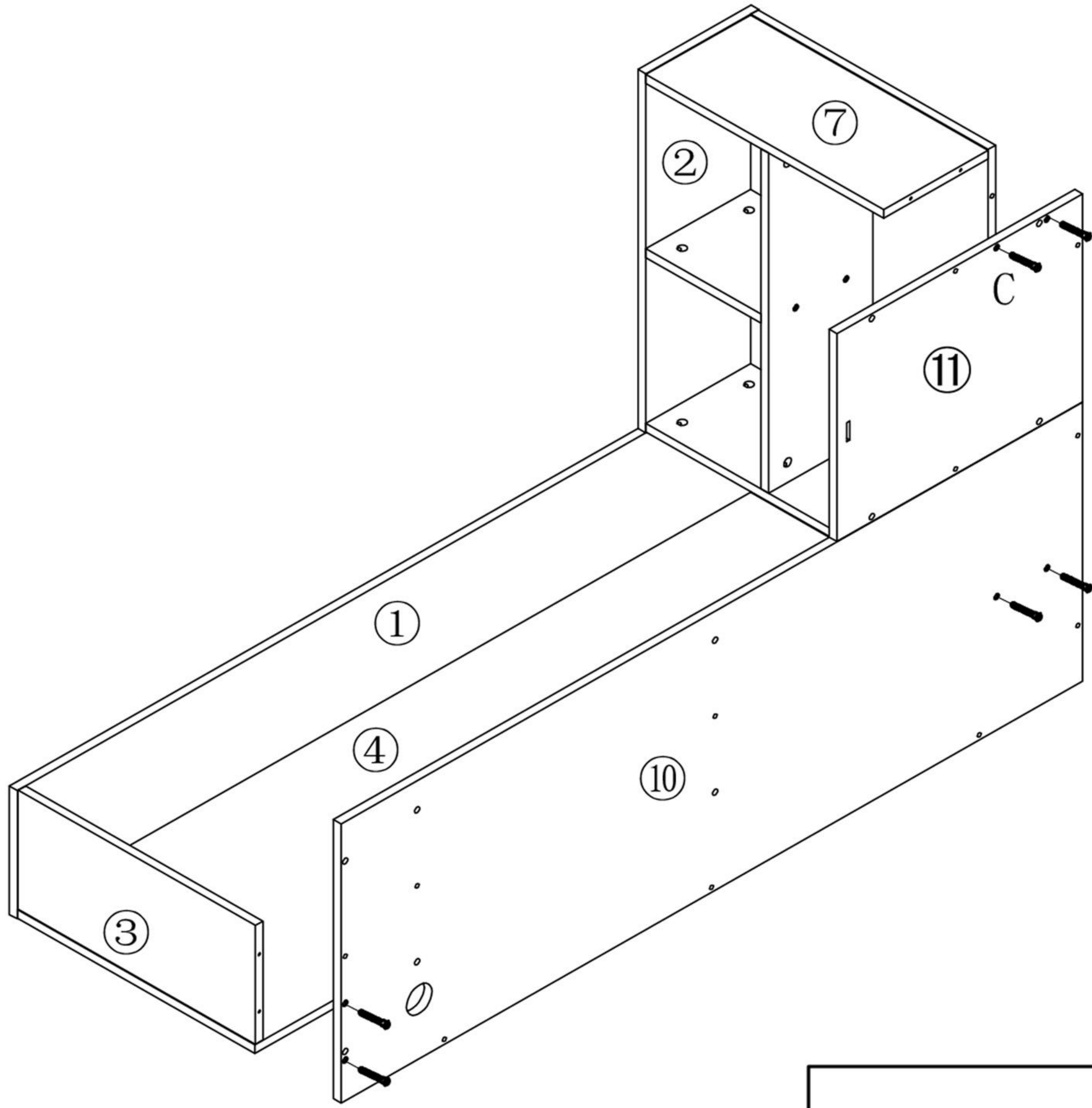
A*15 B*8

6



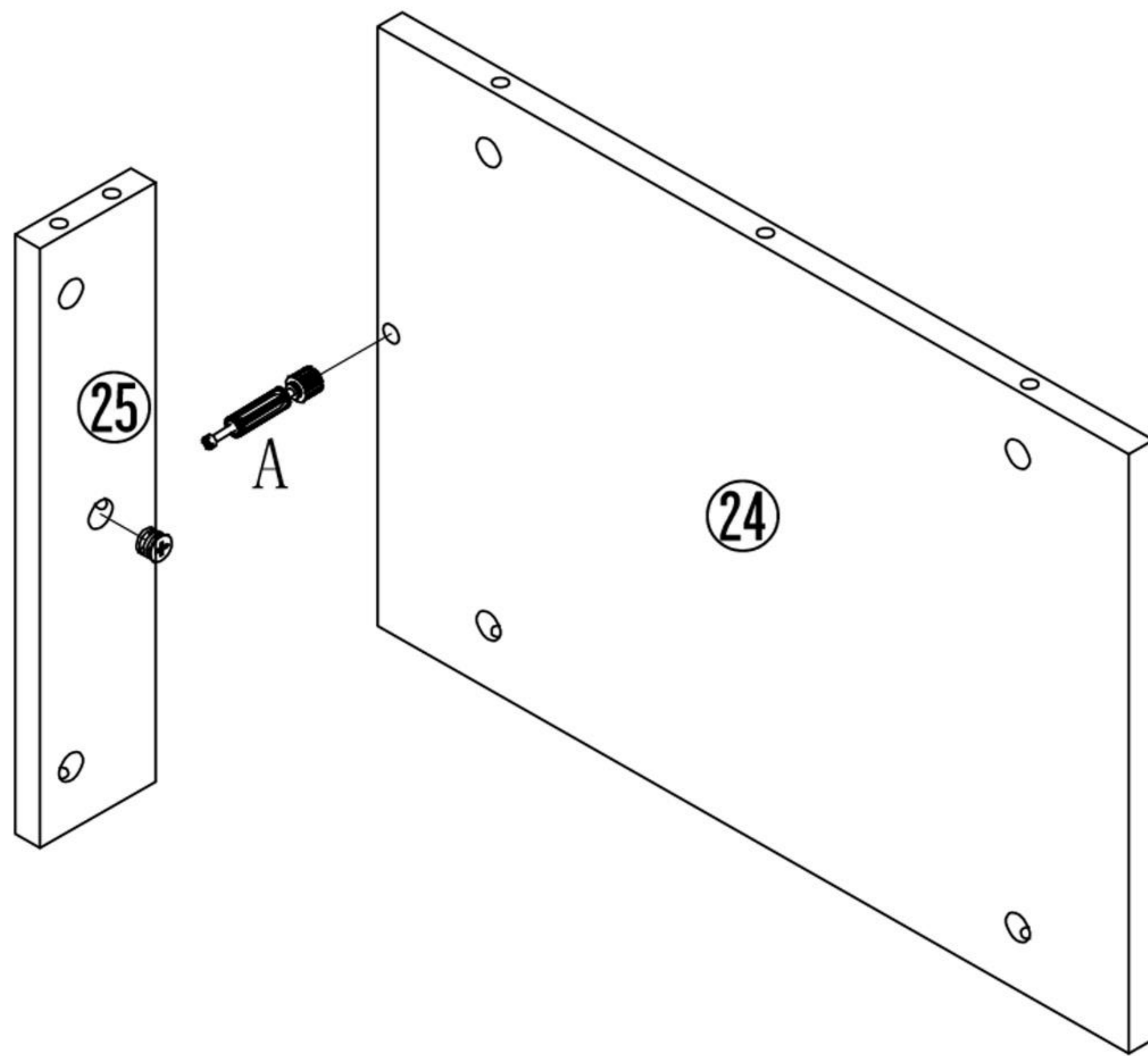
H*3

7



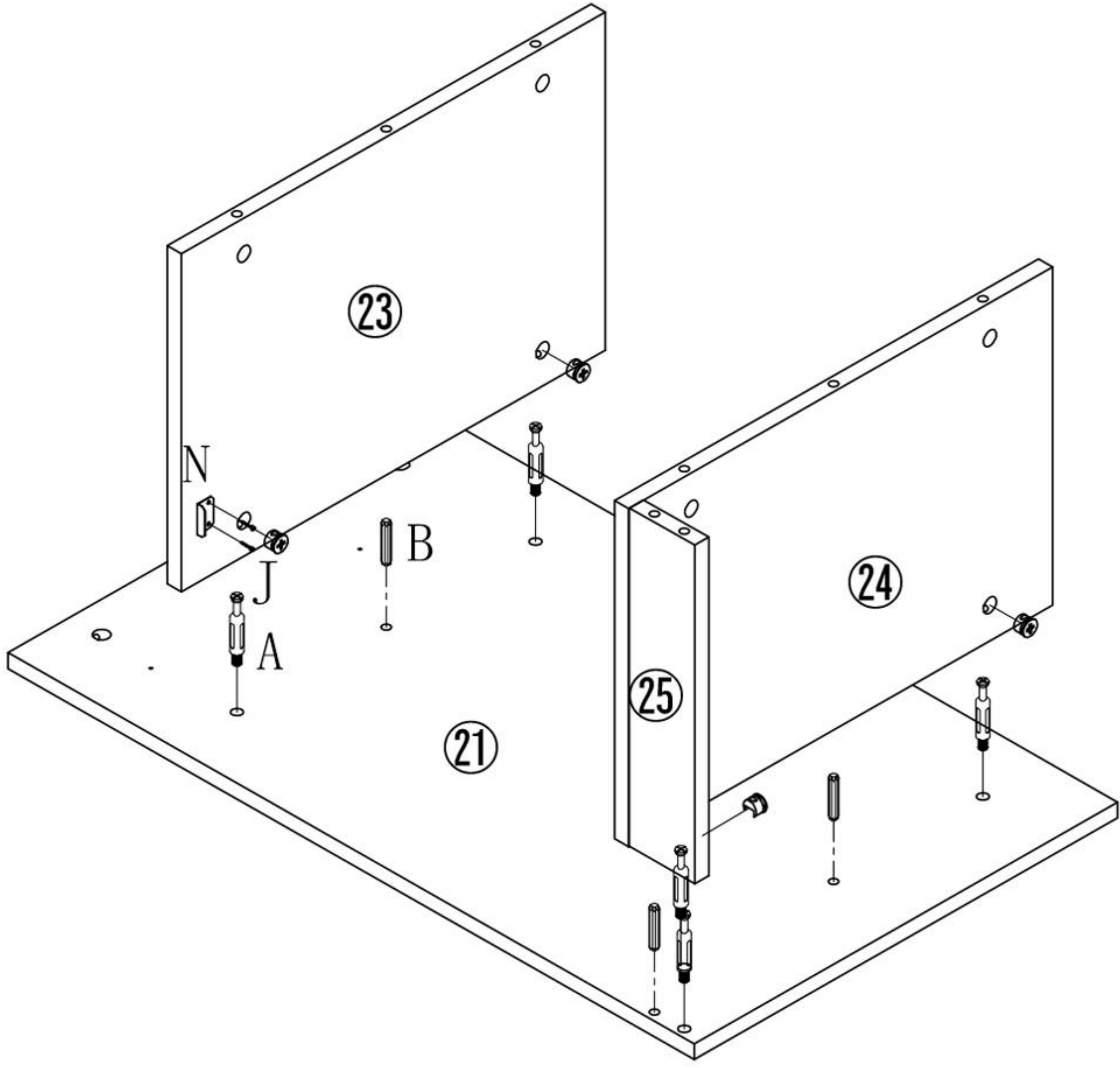
C*6

8



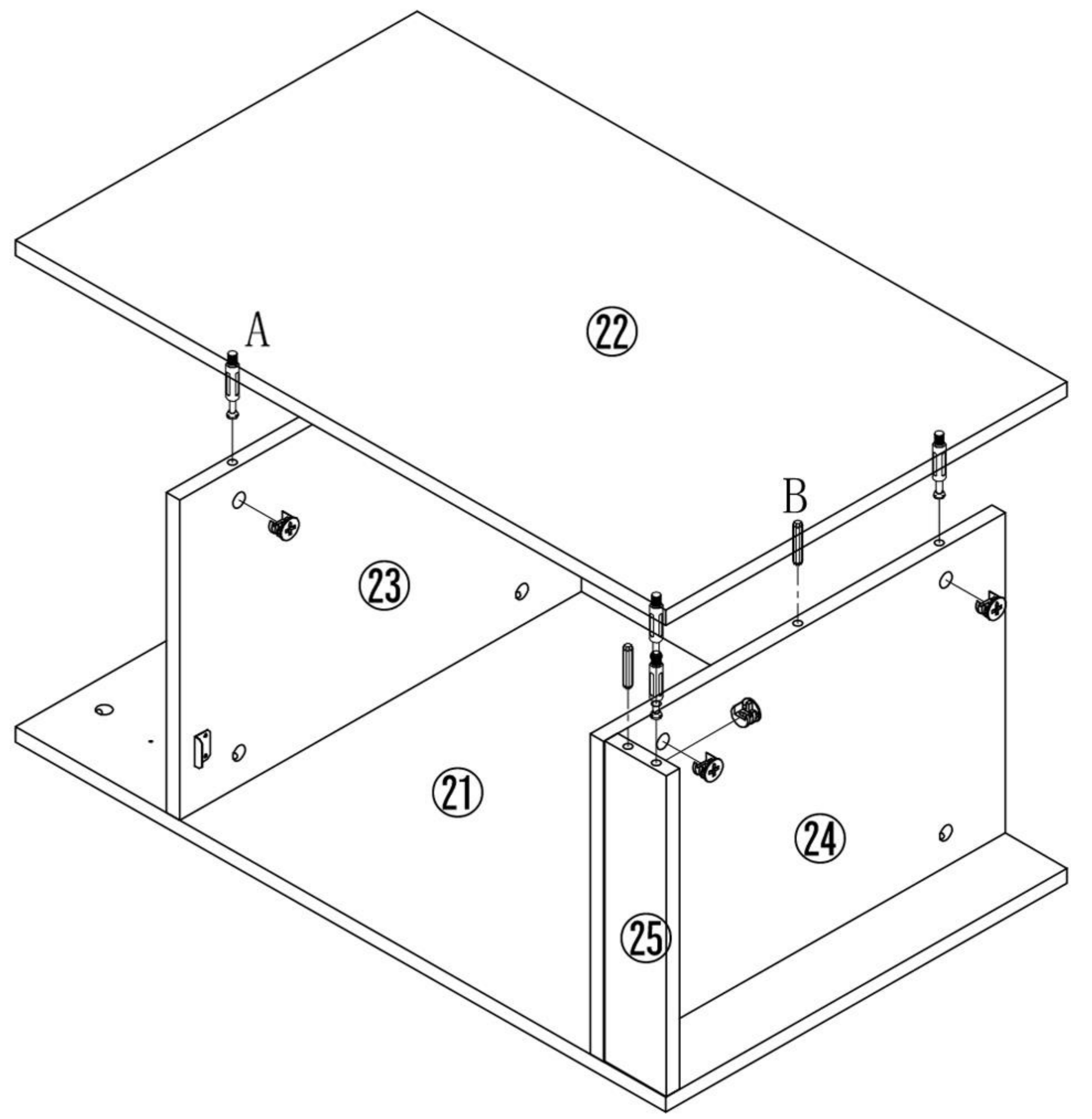
A*1

9



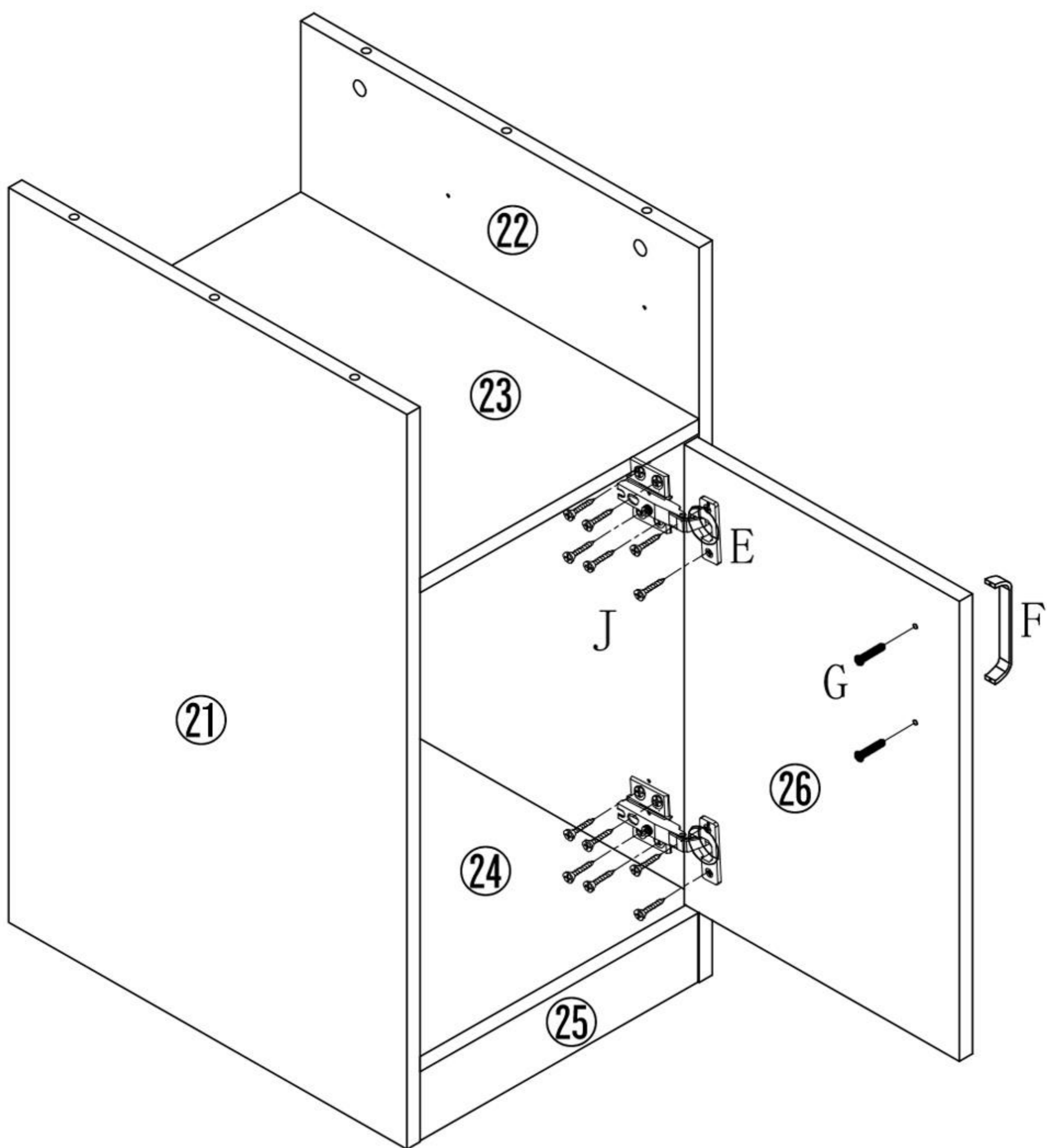
A*5 B*3 J*2 N*1

10



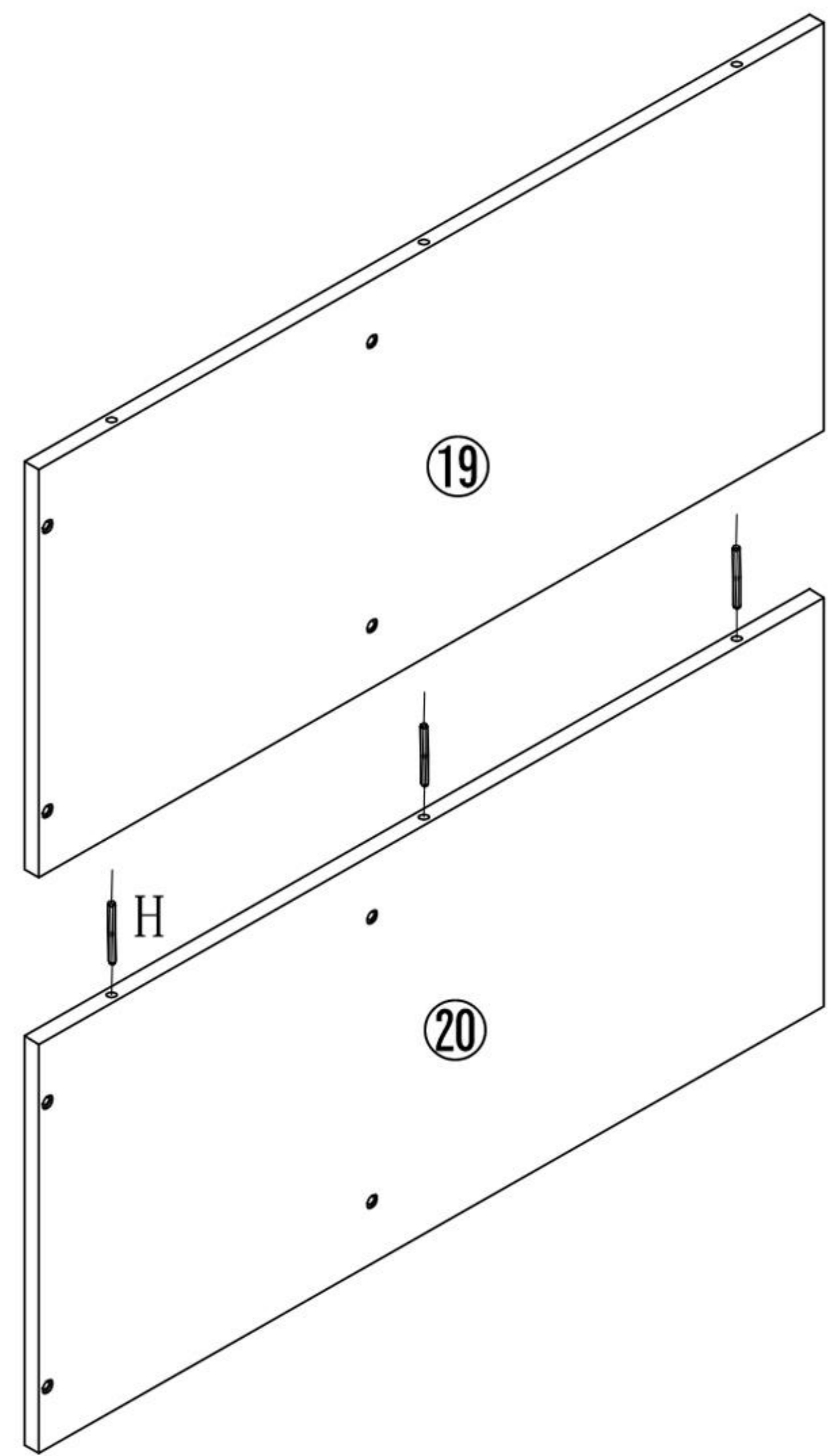
A*5 B*3

11



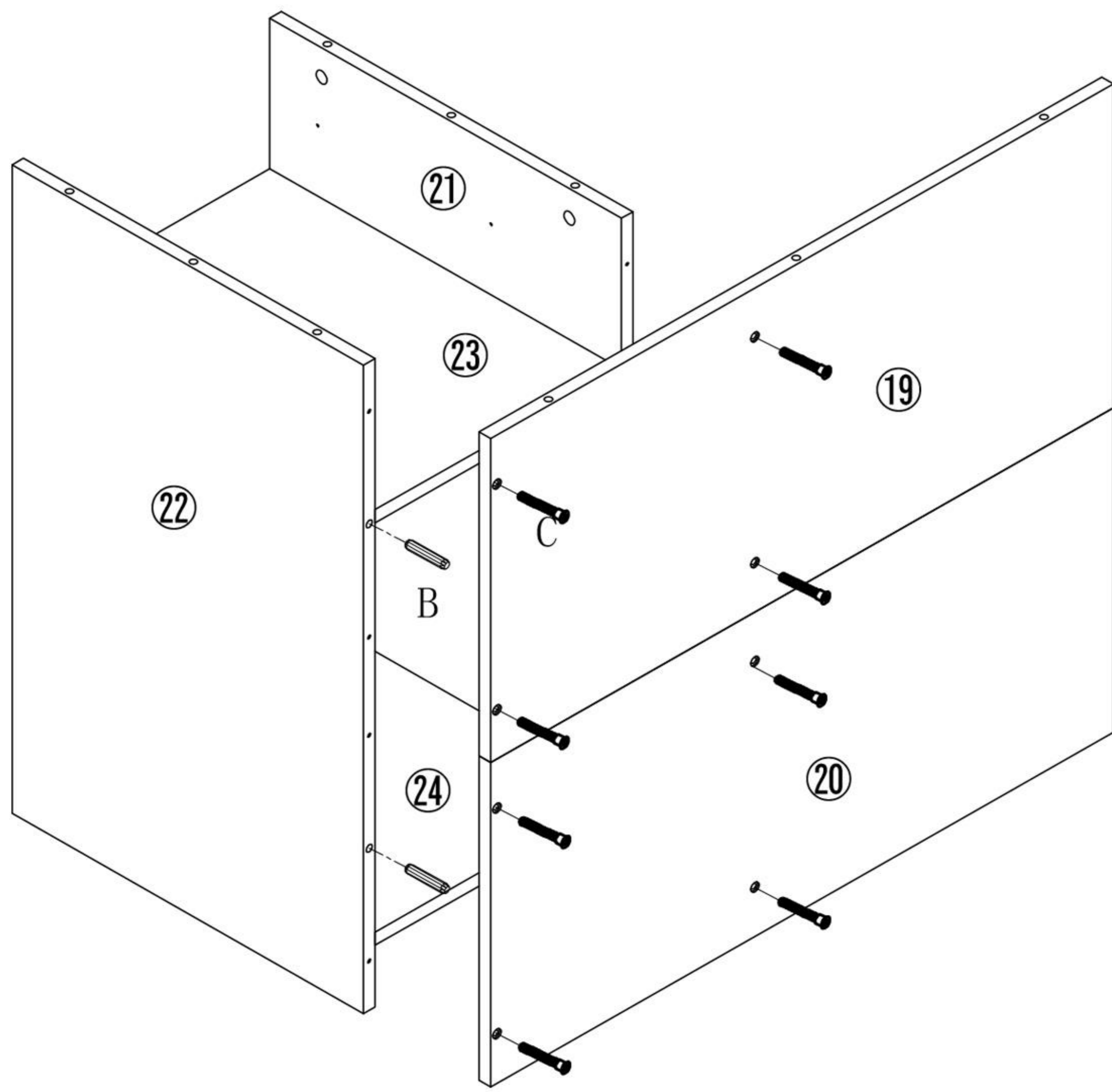
E*2 F*1 G*2 J*12

12



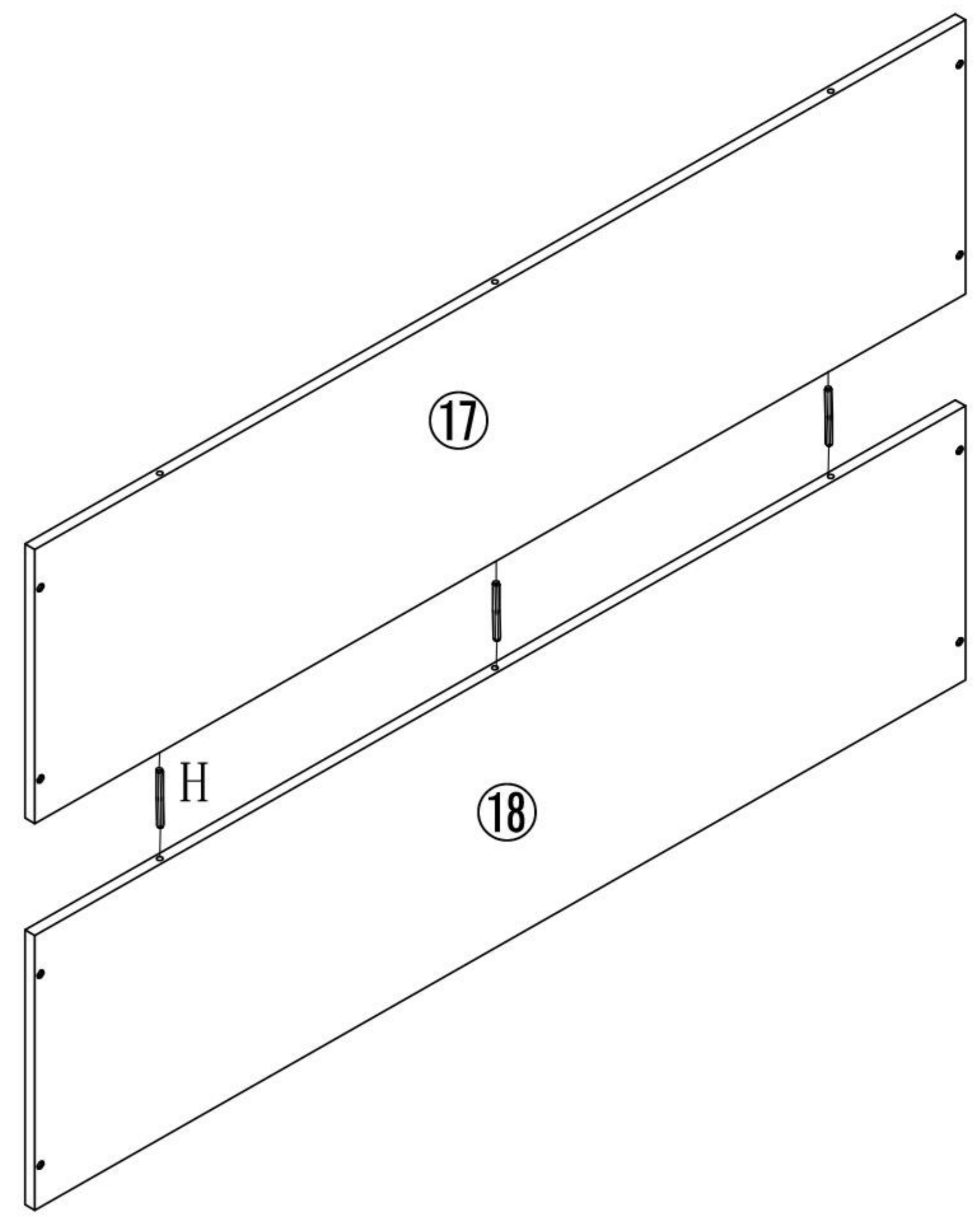
H*3

13



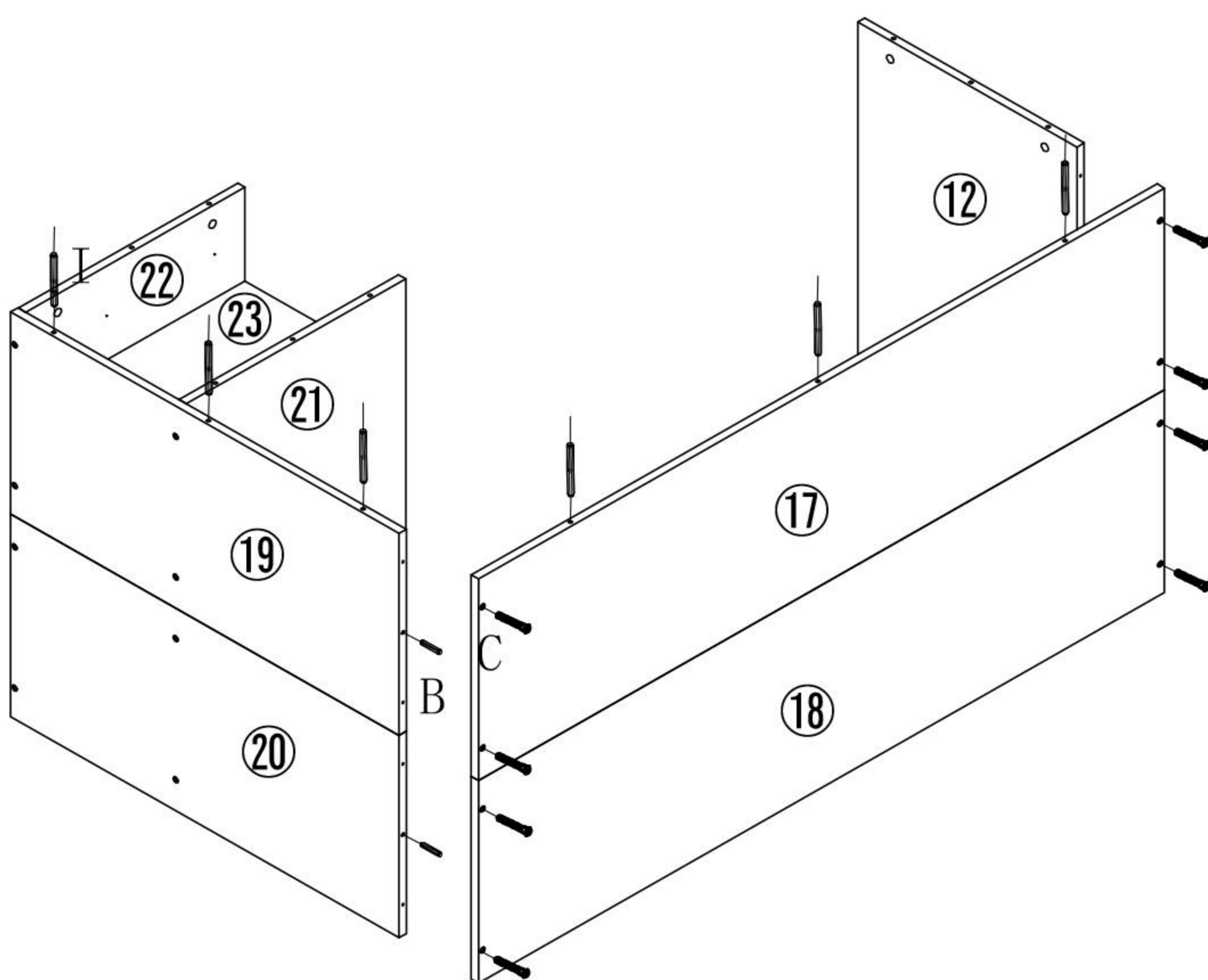
B*4 C*8

14



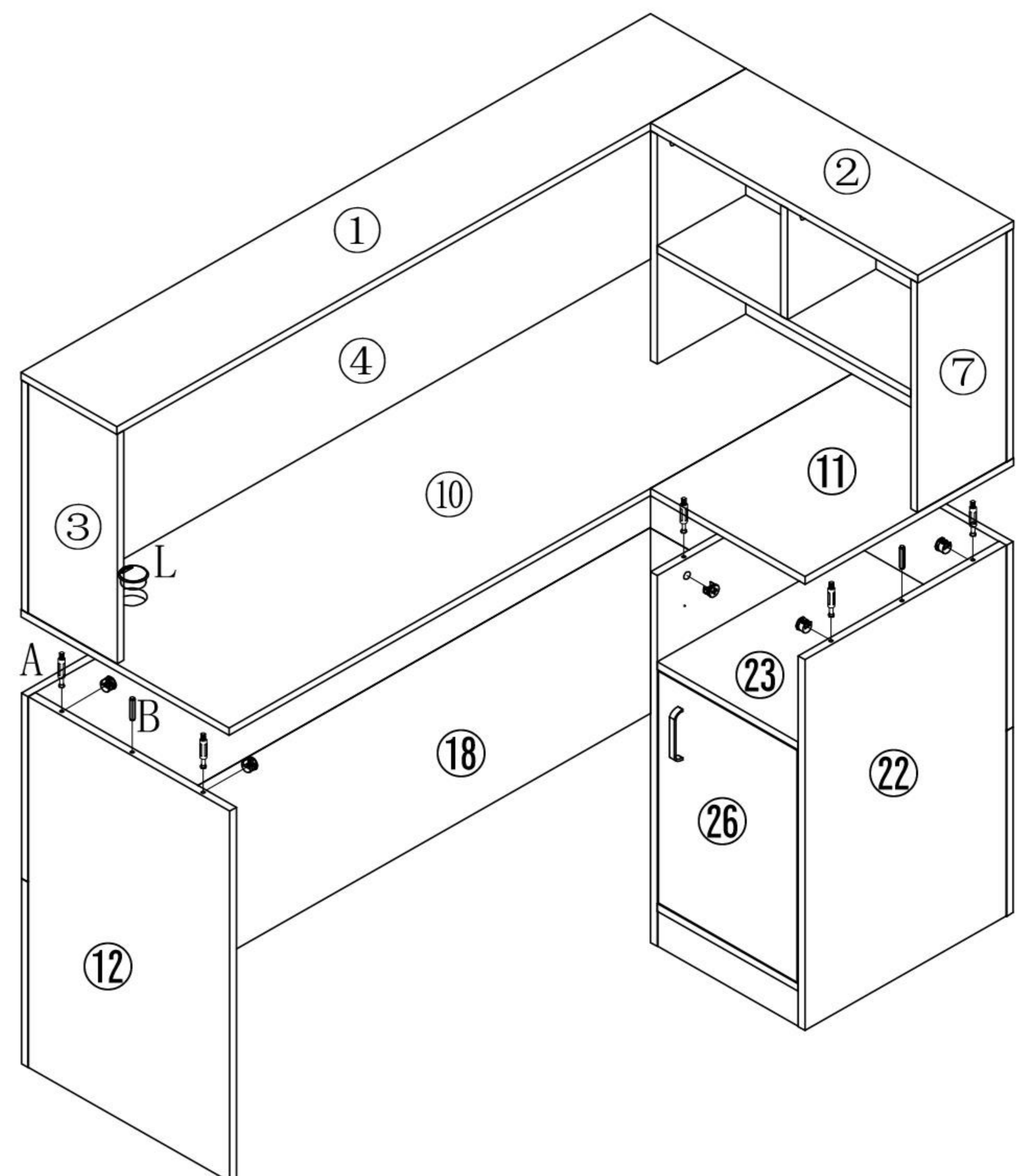
H*3

15



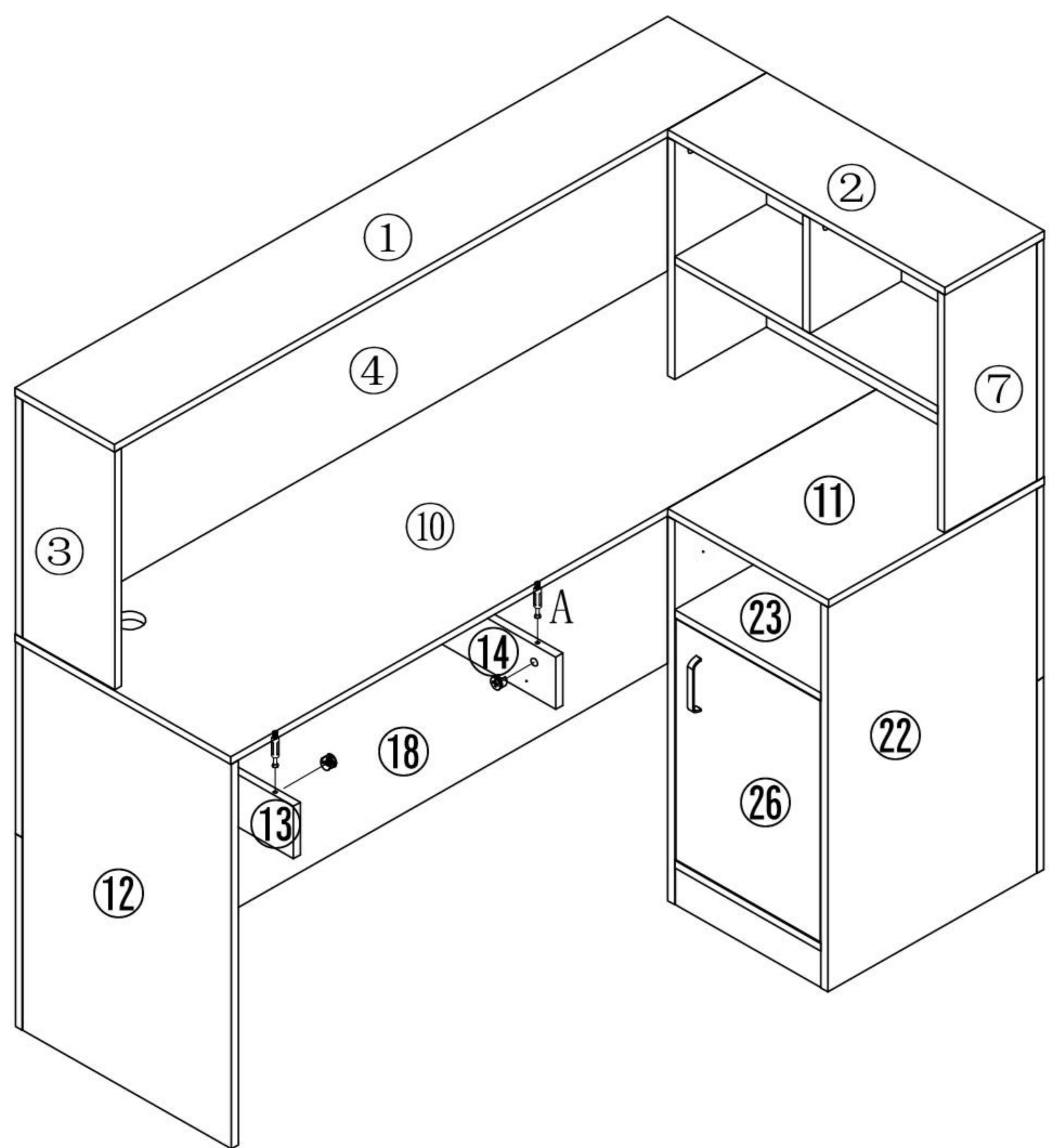
B*4 C*8 I*6

16



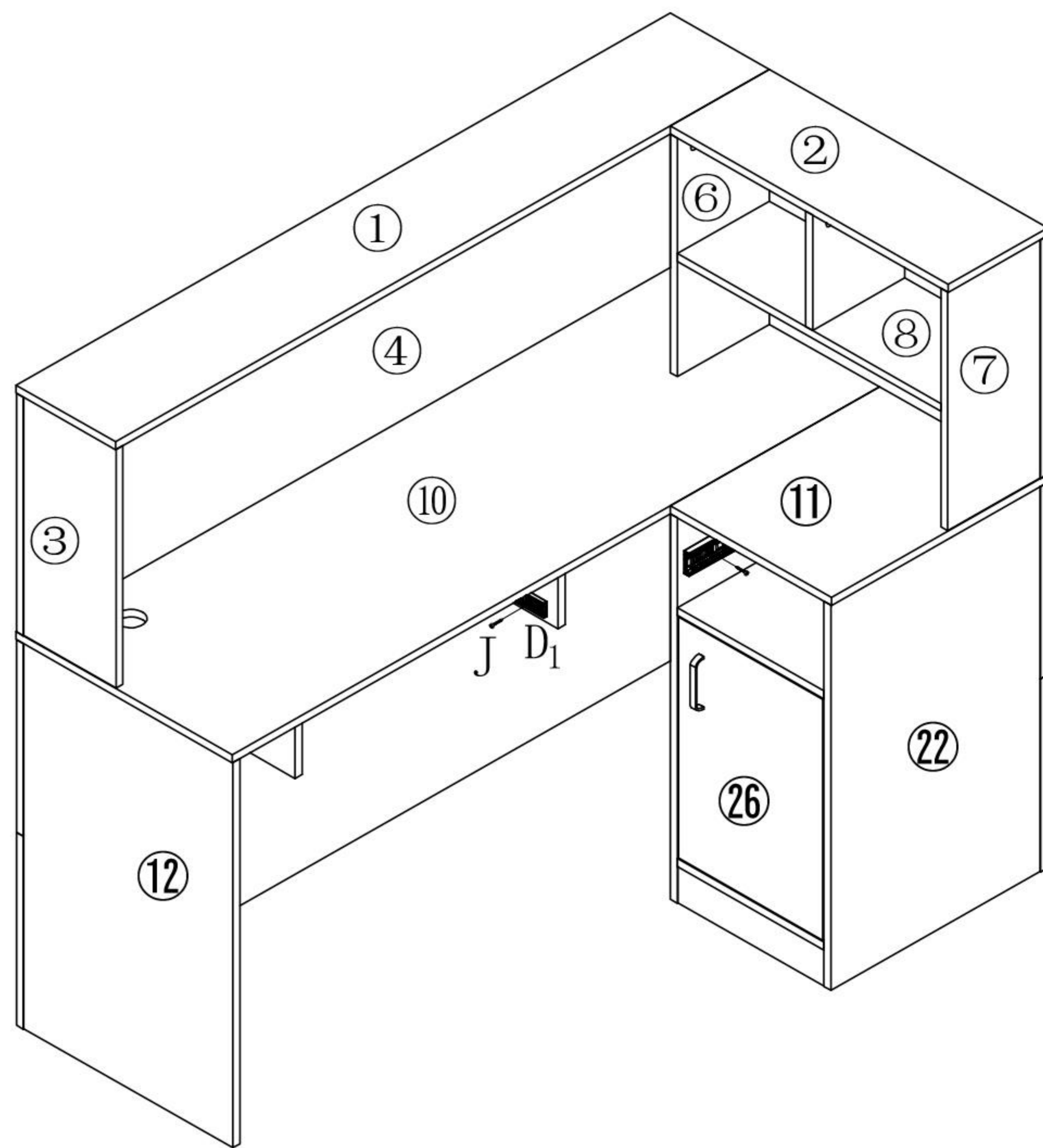
A*6 B*3 L*1

17

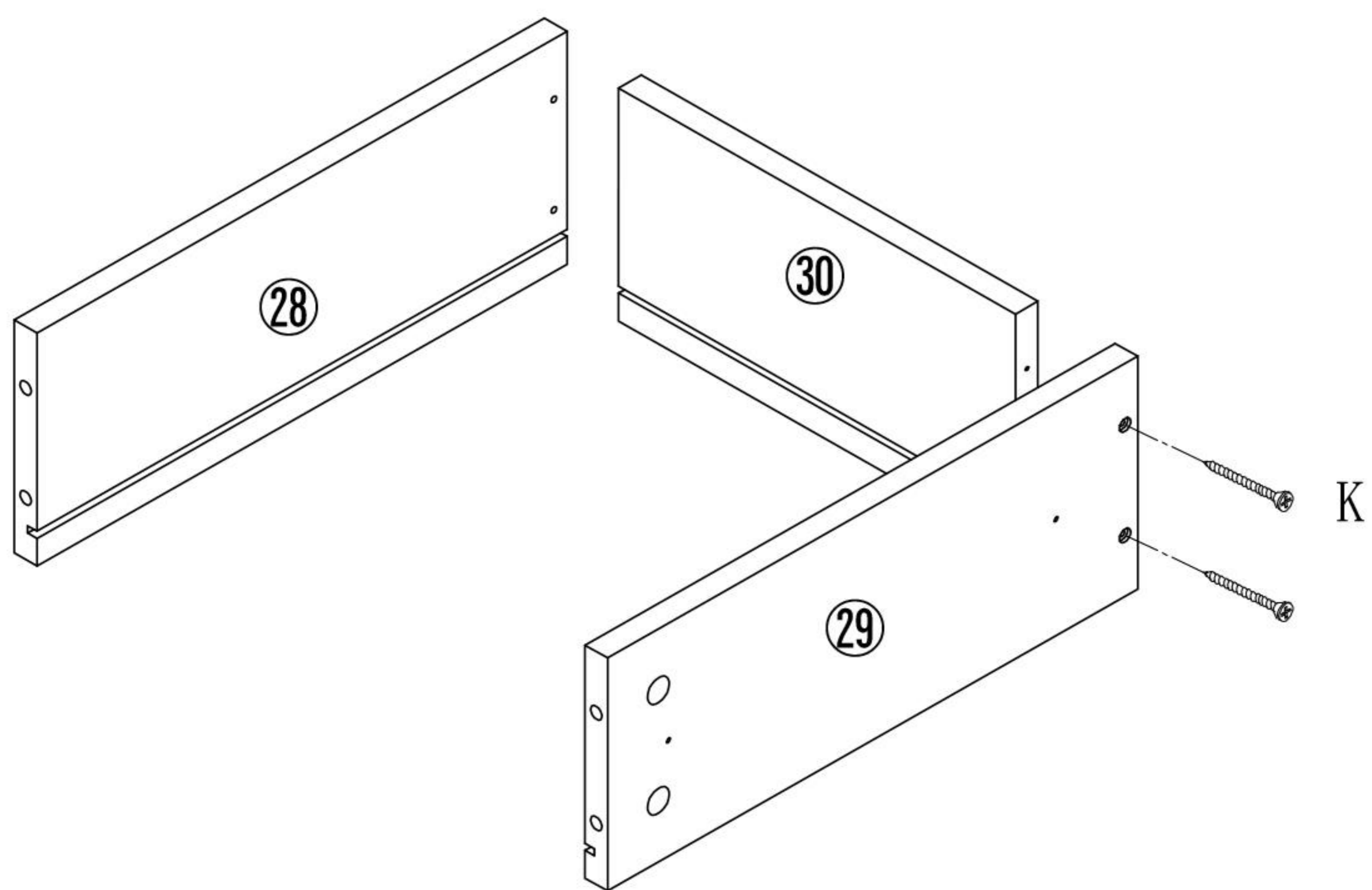


A*4 B*2

18

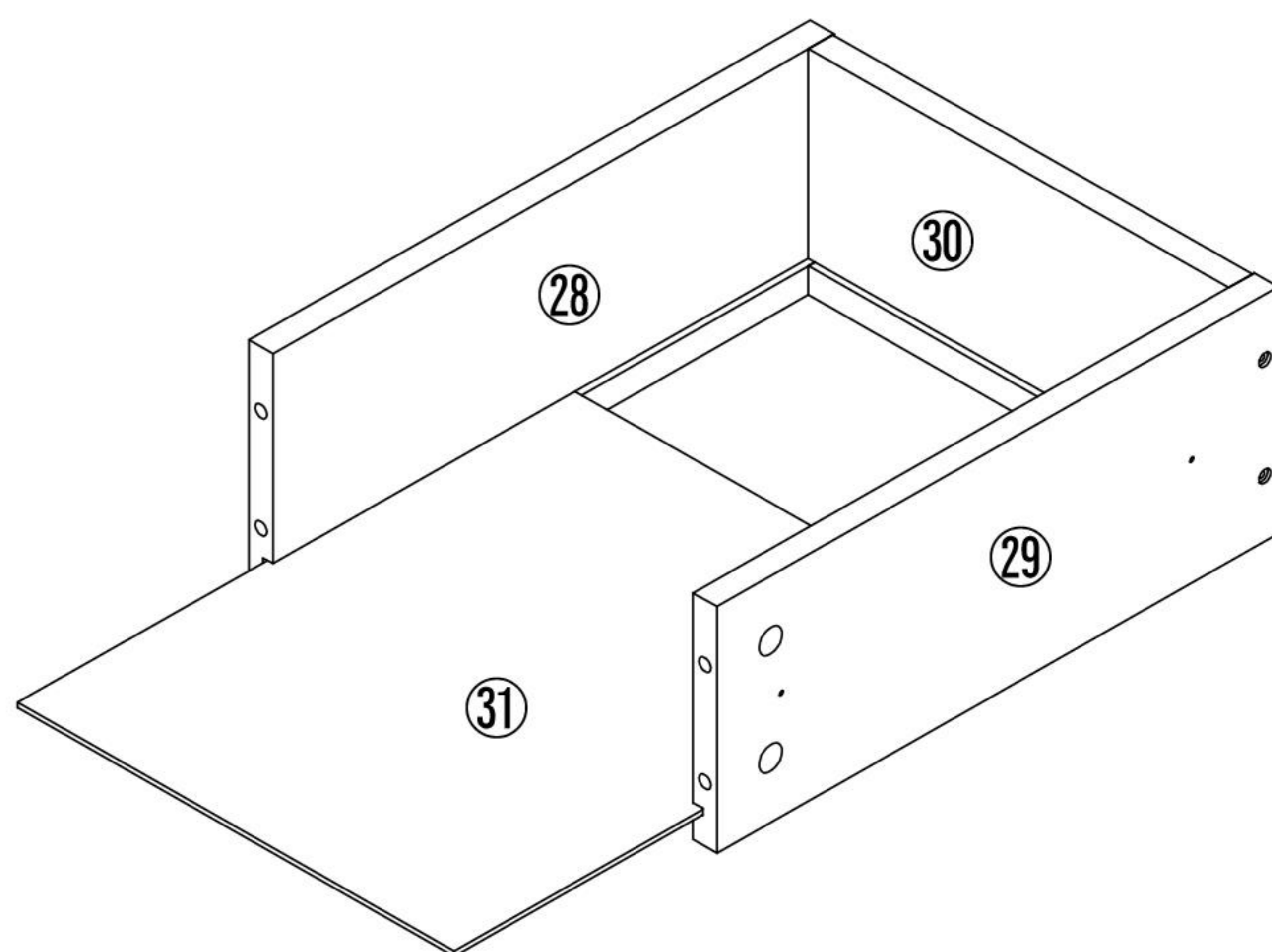


19

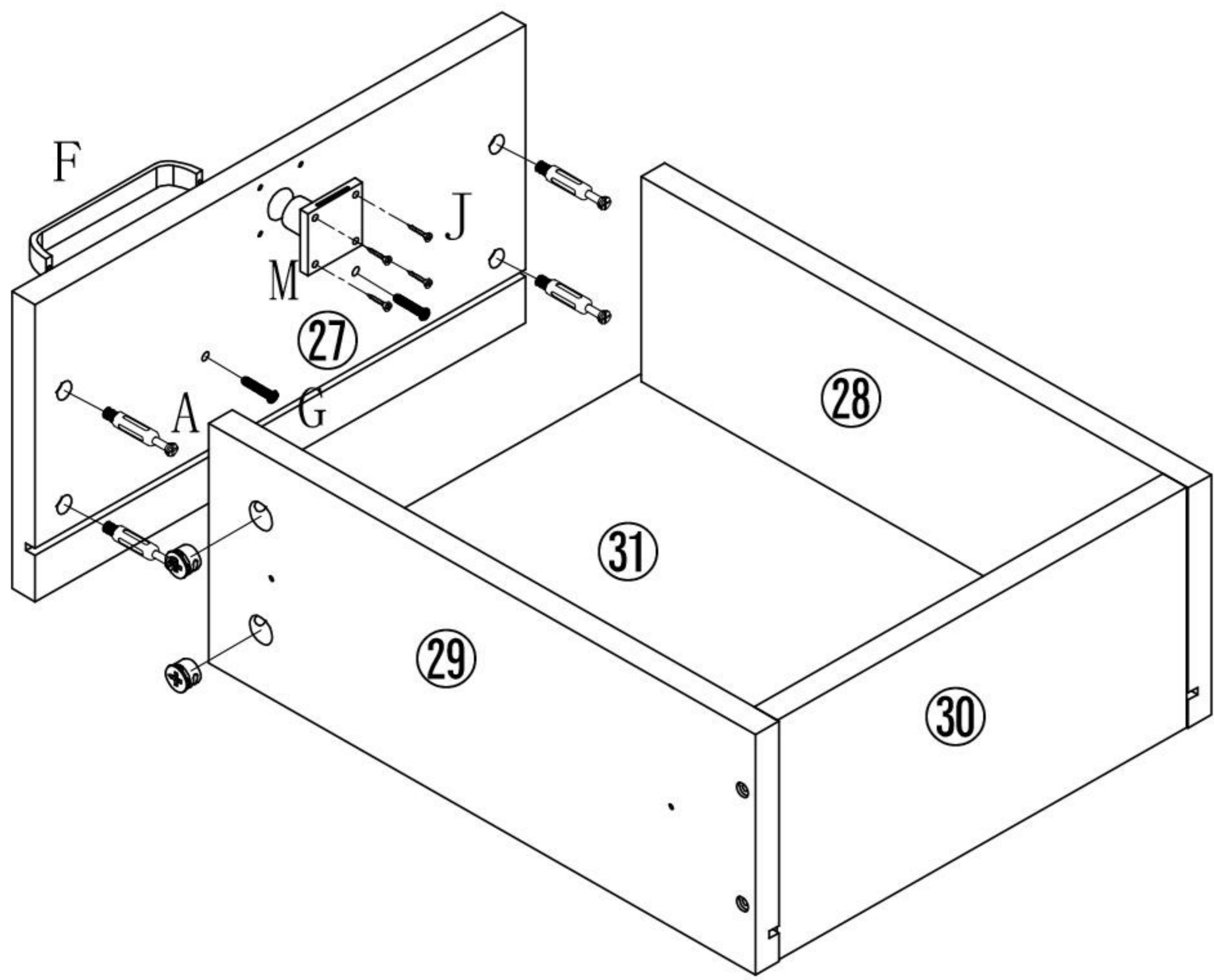


K*4

20

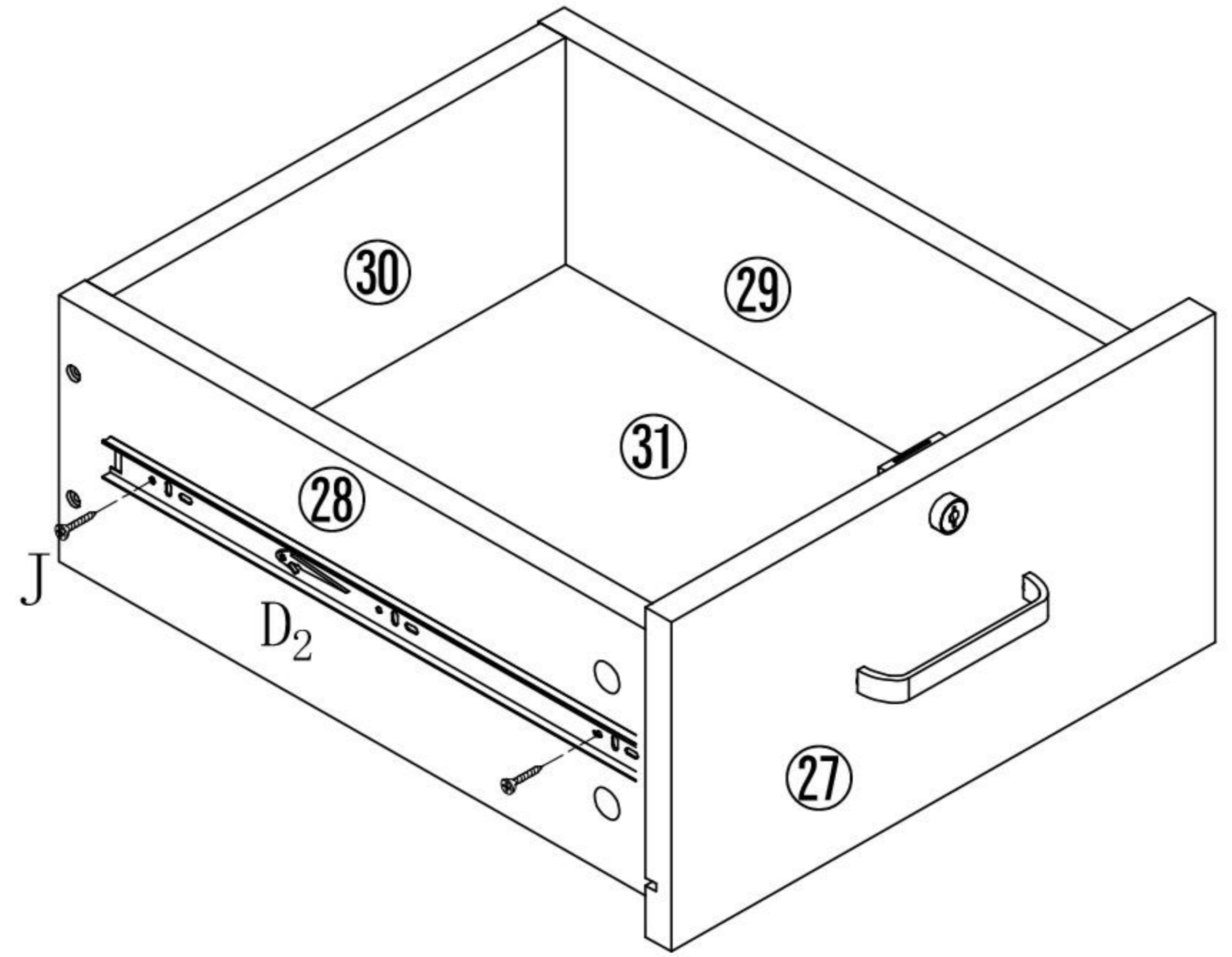


21



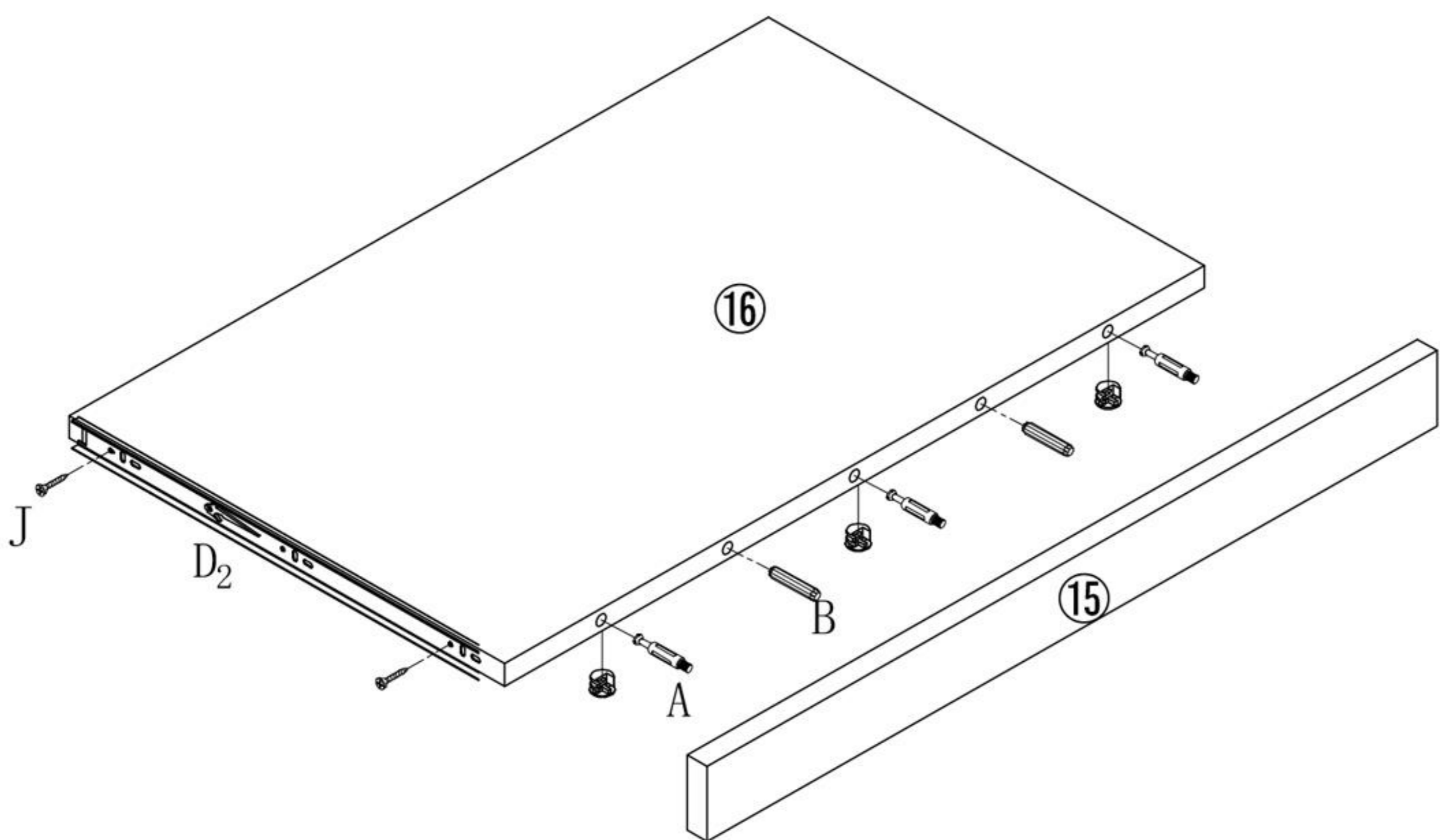
A*4 F*1 G*2 J*4 M*1

22



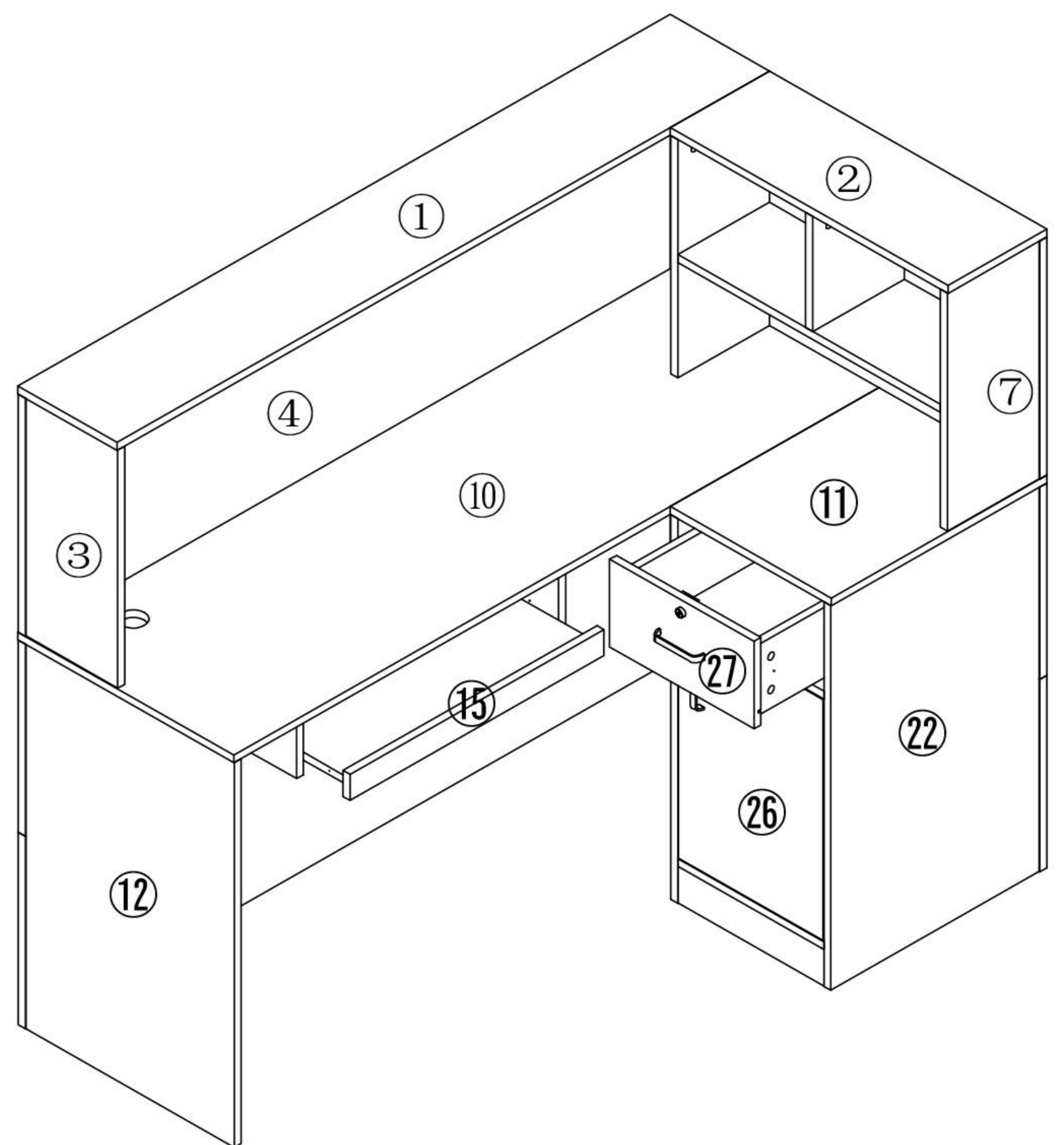
D₂*1 J*4

23

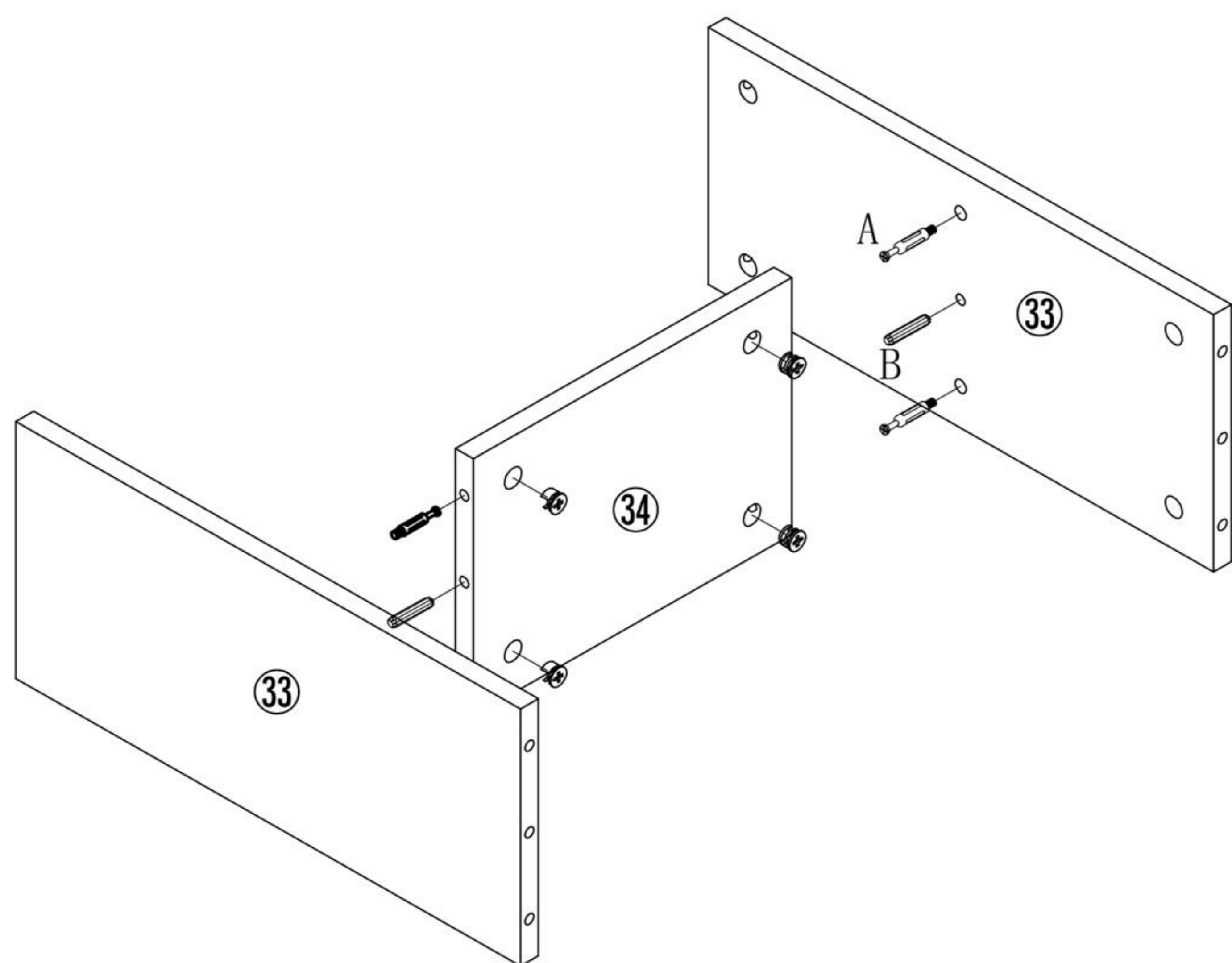


A*3 B*2 D₂*1 J*4

24

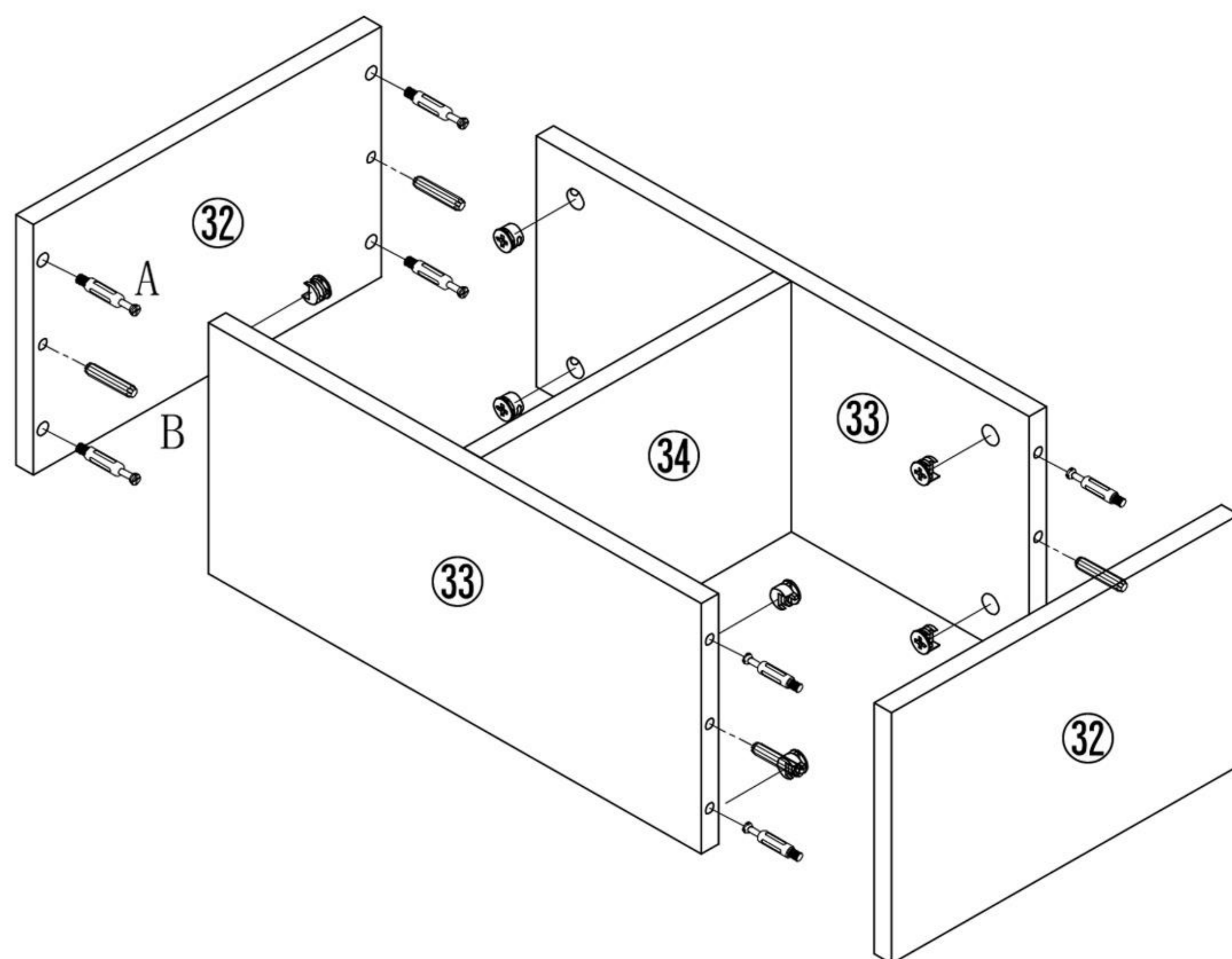


25



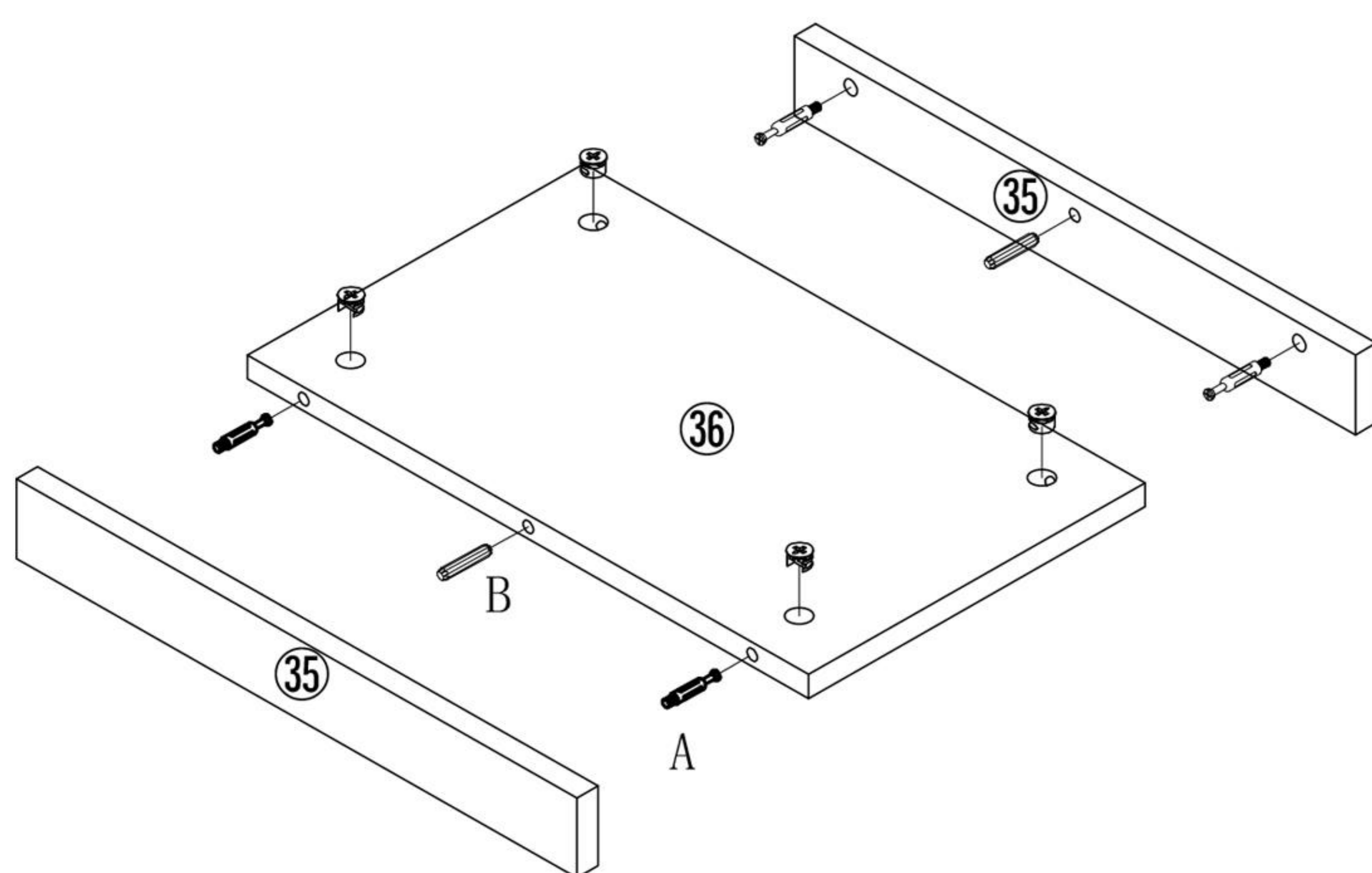
A*4 B*2

26



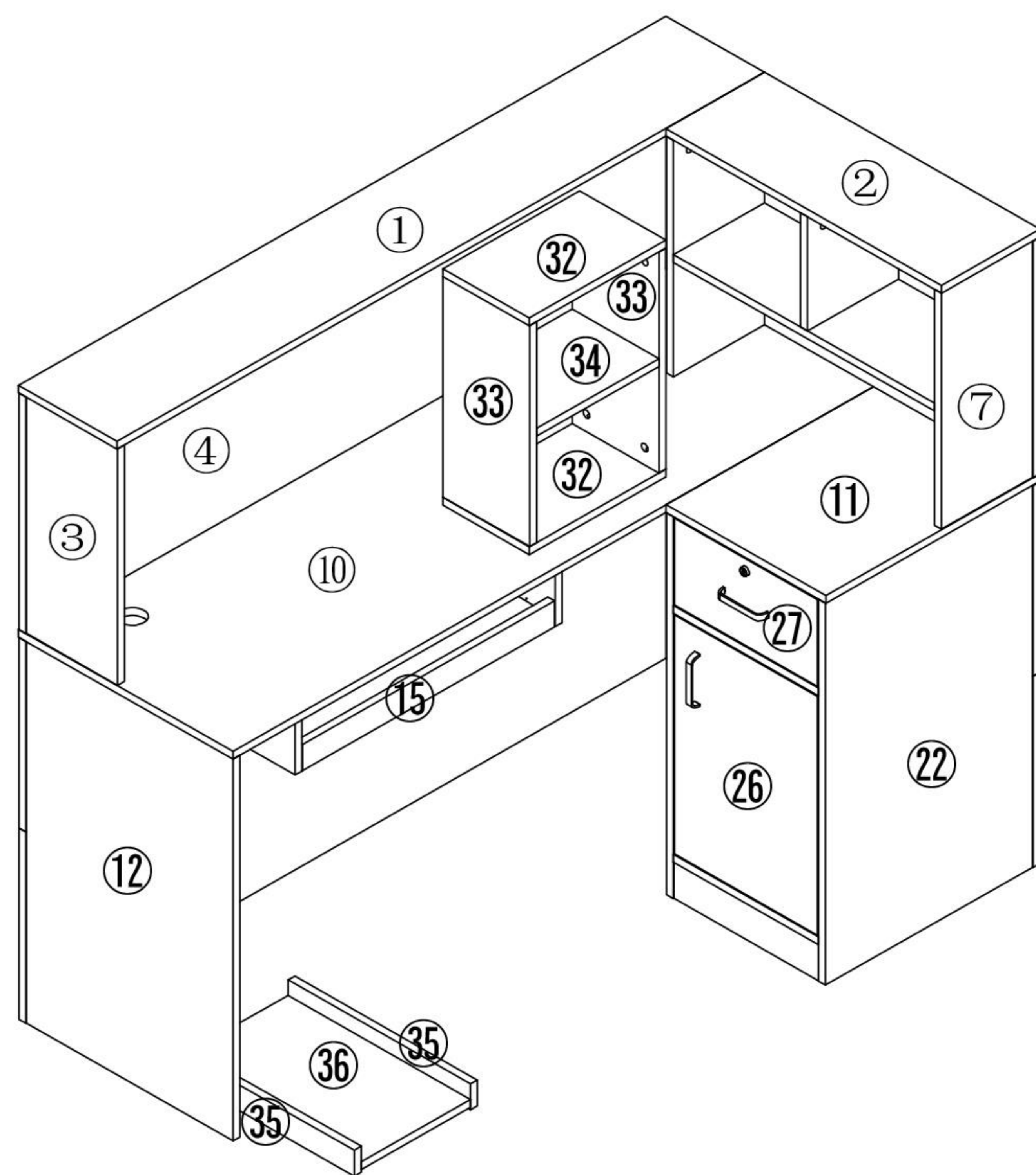
A*8 B*4

27

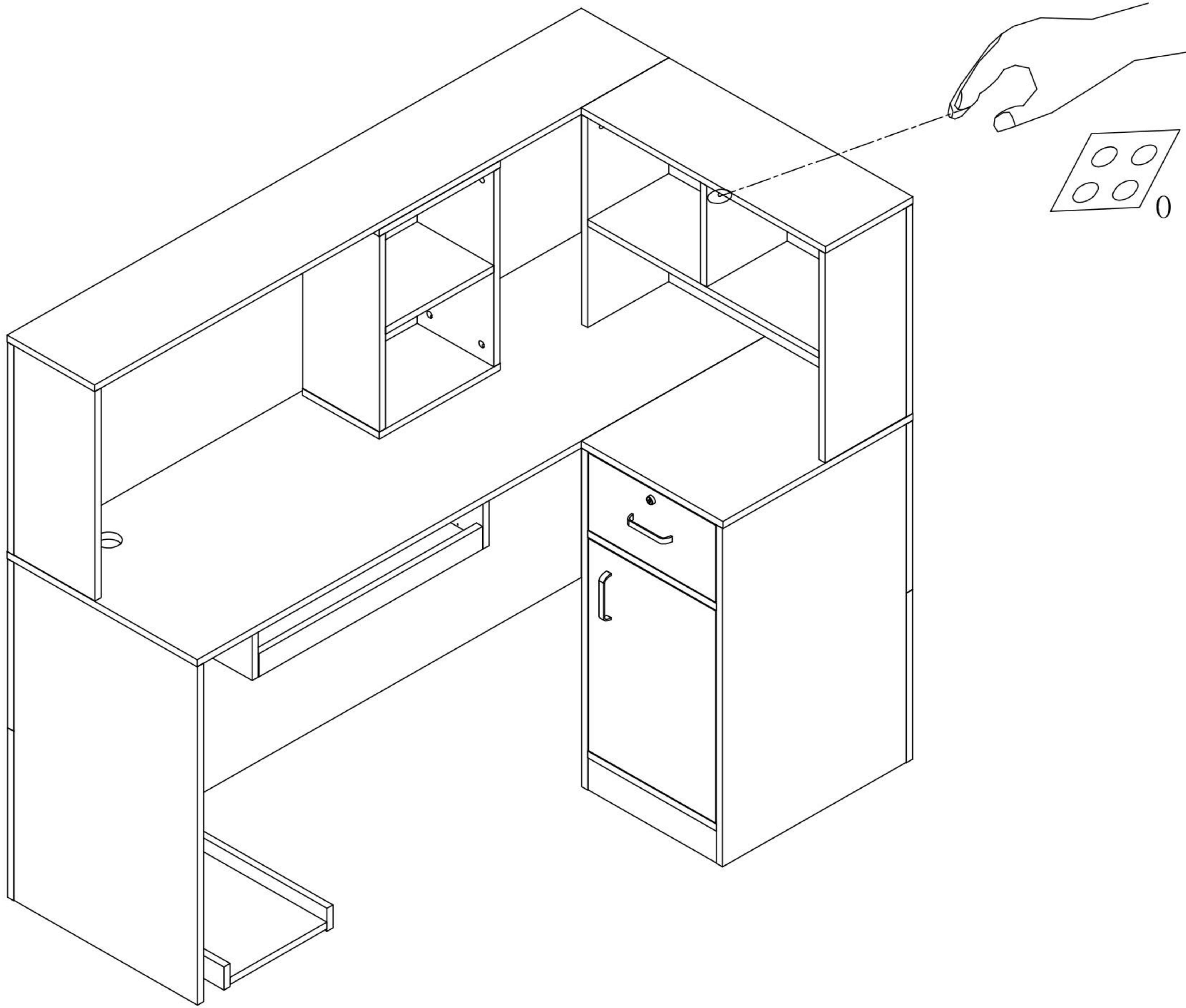


A*4 B*2

28



29



0*30

30

