

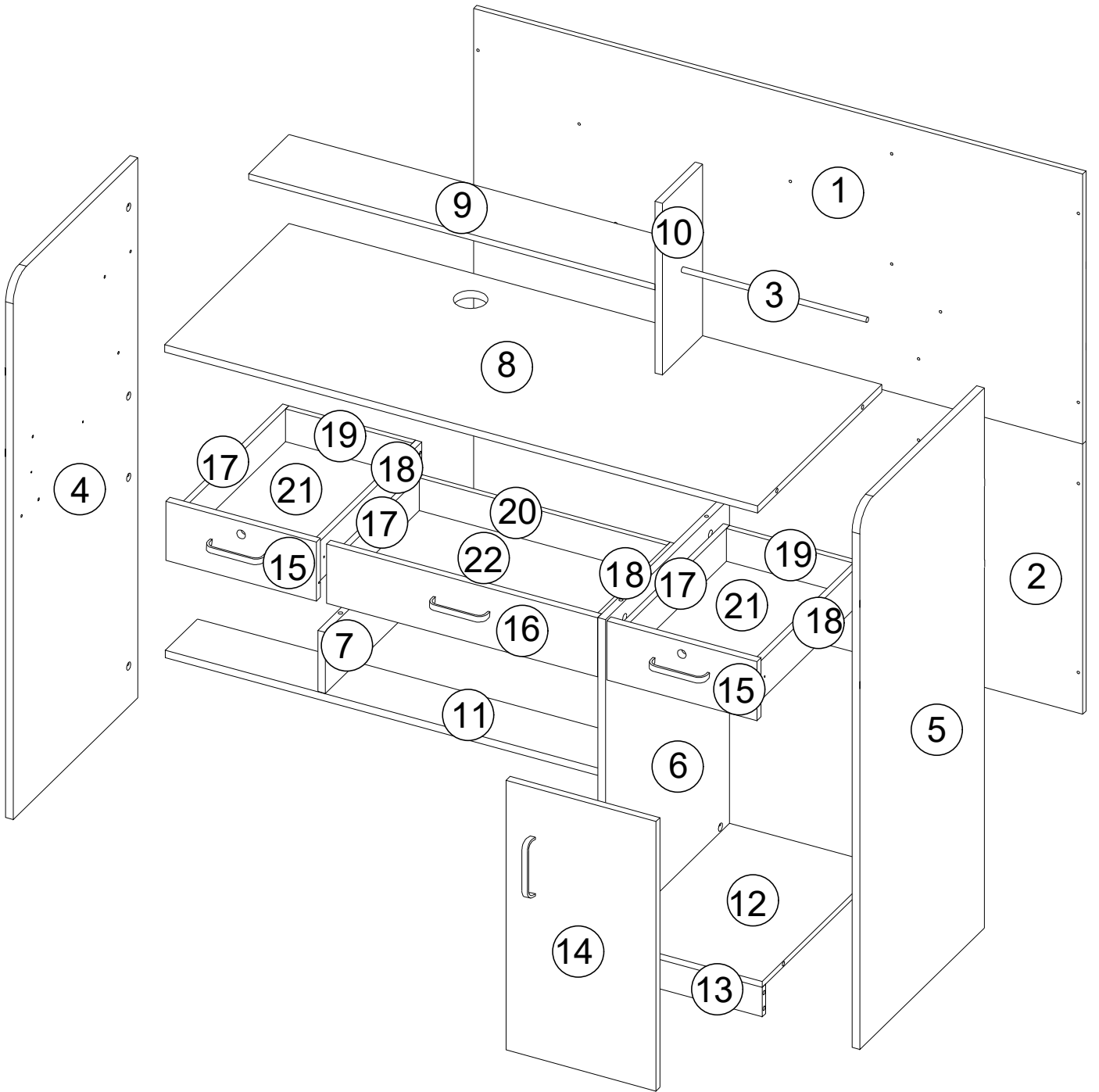
OmySalon

RECEPTION DESK

USER MANUAL



Thanks for purchasing OmySalon Reception Desk. . Please feel free to contact us if you have any problems with assembly or other after-sale issues. OmySalon customer service team is here to assist you. Email: support@omysalon.com; Website: www.omysalon.com. Please attach your user name or order ID so that we can serve you better.



⚠ WARNING



Children have died from furniture tipover. To reduce the risk of furniture tipover:

- ALWAYS install tipover restraint provided.
- NEVER put a TV on this product.
- NEVER allow children to stand, climb or hang on drawers, doors, or shelves.
- NEVER open more than one drawer at a time.
- Place heaviest items in the lowest drawers.
- Do not defeat or remove the drawer interlock system.

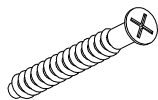
*This is a permanent label.
Do not remove!*

A X 44+4



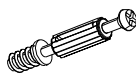
M3.5x14

B X 16+1



M5x40

C X 51+2



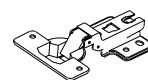
M5x42

D X 51+2



15x10

E X 2



DW

F X 6+1



8x30

G X 4



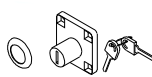
M4x96

H X 8+1



M4x18

I X 2



J X 1



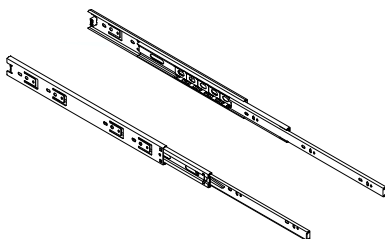
50

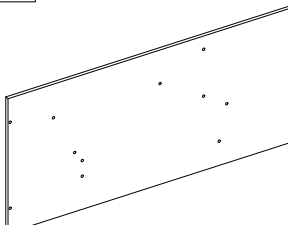
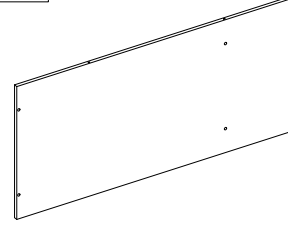

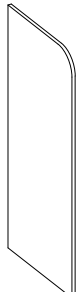
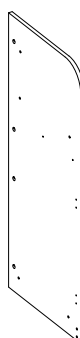

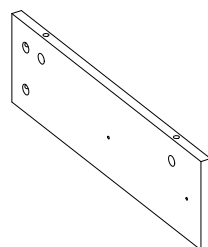
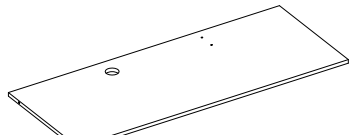
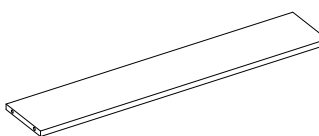
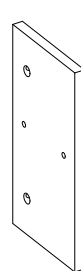
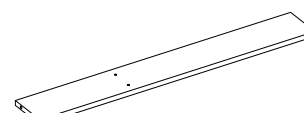
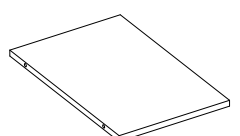
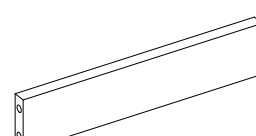
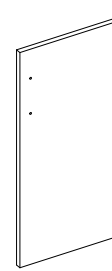
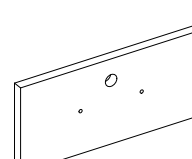
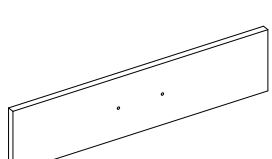
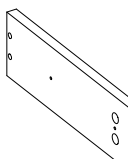
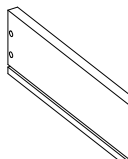
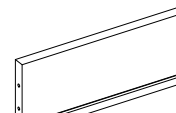
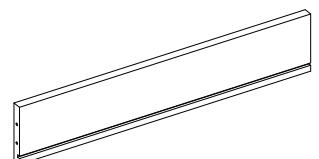
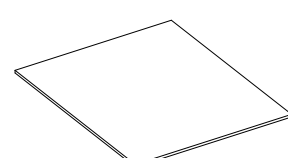
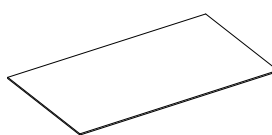
K X 20



20x1

23 x 3

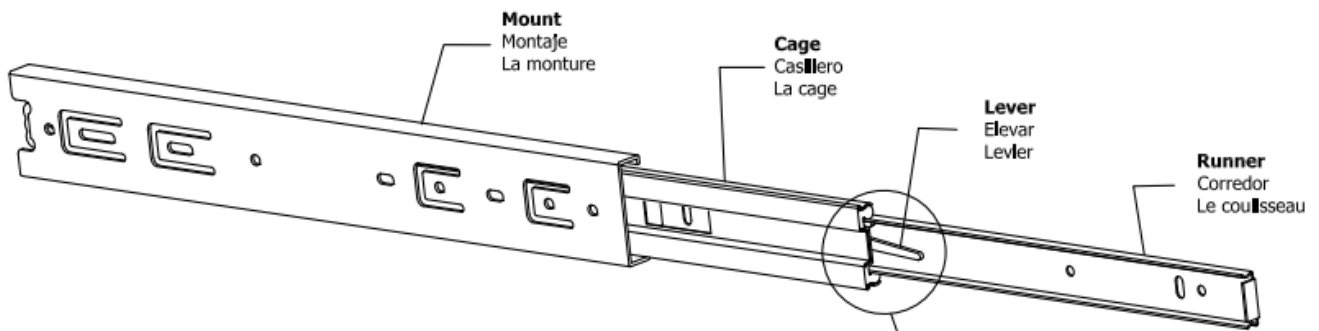


<p>1 1200*550*15mm</p>  <p>1PC</p>	<p>2 1200*550*15mm</p>  <p>1PC</p>	<p>3 Ø8*374mm</p>  <p>1PC</p>	<p>4 1100*465*15mm</p>  <p>1PC</p>
<p>5 1100*465*15mm</p>  <p>1PC</p>	<p>6 785*464*15mm</p>  <p>1PC</p>	<p>7 464*135*15mm</p>  <p>1PC</p>	<p>8 1168*464*15mm</p>  <p>1PC</p>
<p>9 799*150*15mm</p>  <p>1PC</p>	<p>10 300*150*15mm</p>  <p>1PC</p>	<p>11 864*120*15mm</p>  <p>1PC</p>	<p>12 447*289*15mm</p>  <p>1PC</p>
<p>13 289*60*15mm</p>  <p>1PC</p>	<p>14 589*284*15mm</p>  <p>1PC</p>	<p>15 284*130*15mm</p>  <p>2PCS</p>	<p>16 556*130*15mm</p>  <p>1PC</p>
<p>17 300*97*15mm</p>  <p>3PCS</p>	<p>18 300*97*15mm</p>  <p>3PCS</p>	<p>19 235*97*15mm</p>  <p>2PCS</p>	<p>20 508*97*15mm</p>  <p>1PC</p>
<p>21 295*245*3mm</p>  <p>2PCS</p>	<p>22 518*295*3mm</p>  <p>1PC</p>		

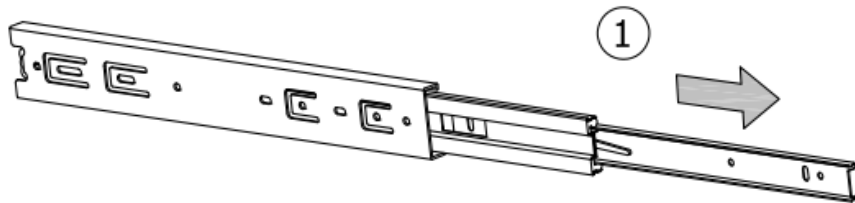
**Slides Must Be Separated Before Assembly.
After Separated, Set Aside Until Needed for Assembly.**

Las diapositivas deben separarse antes del montaje.
Después de la separación, déjelo a un lado hasta que sea necesario.

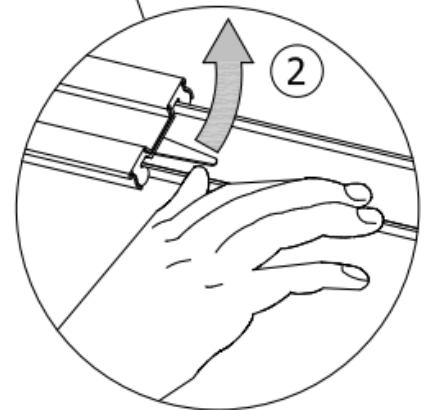
Les glissières doivent être séparées avant l'assemblage.
Après la séparation, mettez de côté jusqu'au moment de l'assemblage.



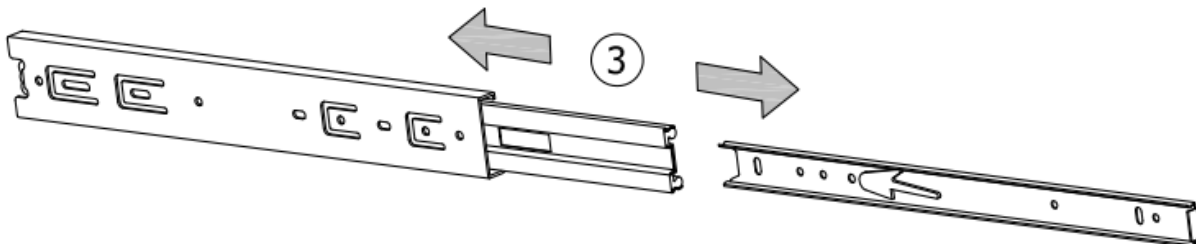
STEP 1: Extend Slide
Extender la diapositiva
Extendre la diapositive



STEP 2: Push Lever UP
Empujar hacia arriba
Lever le levier

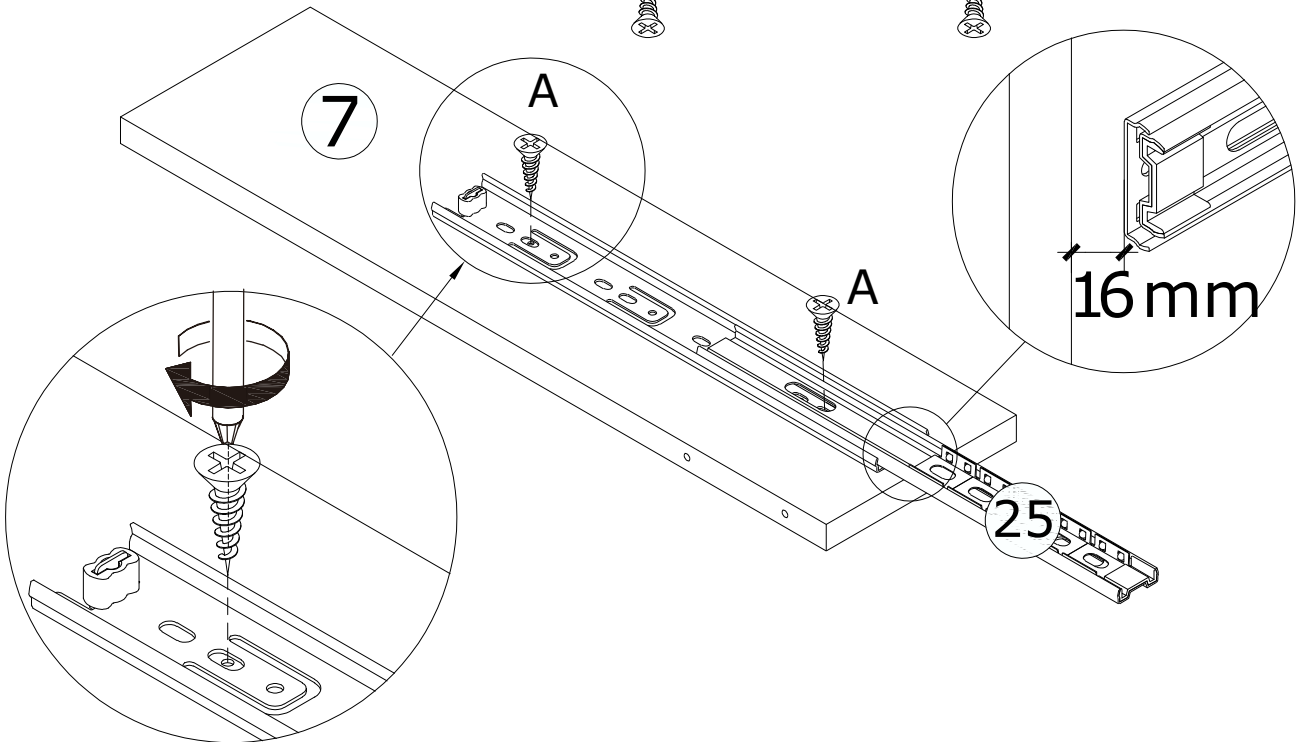
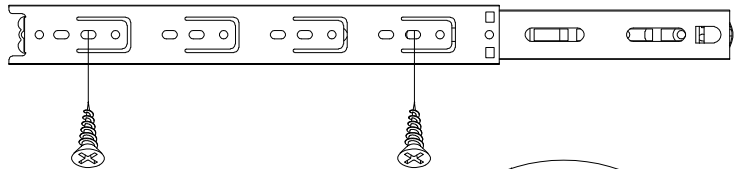
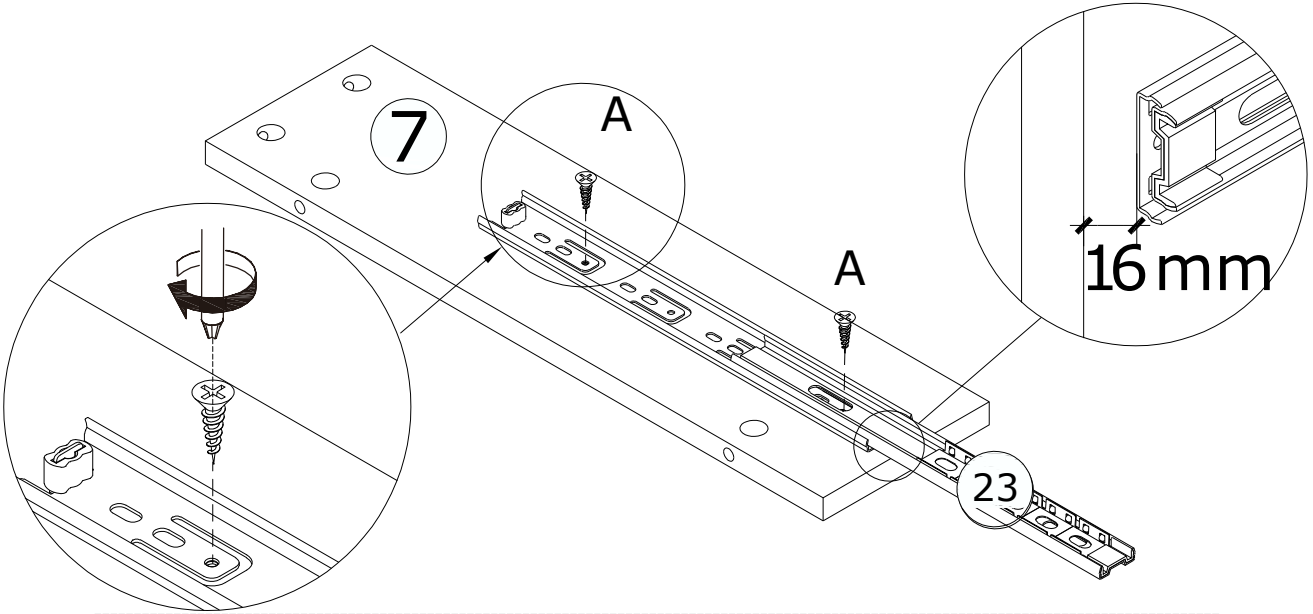
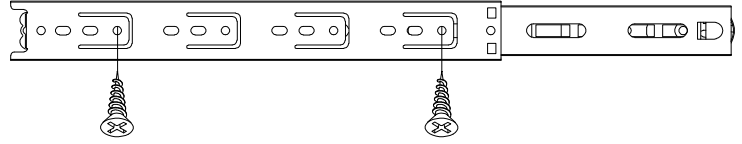


STEP 3: Remove Runner
Quitar el corredor
Enlever le coureur



1

A X 4
M3.5x14

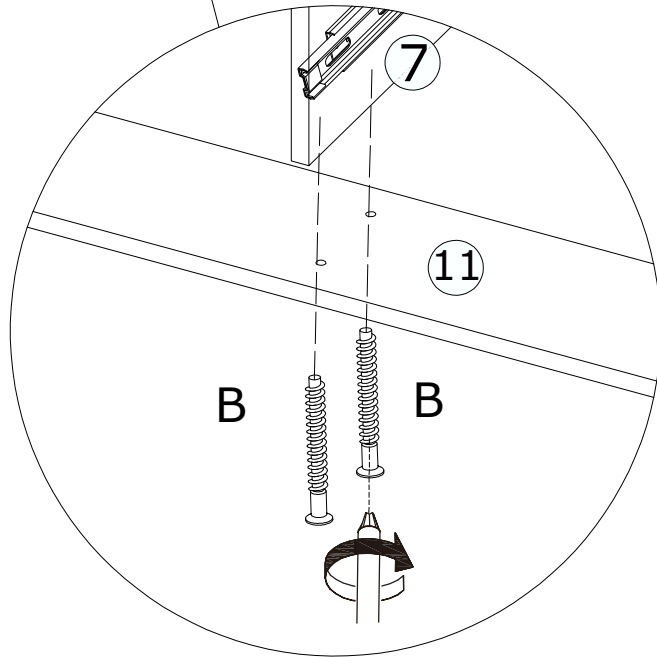
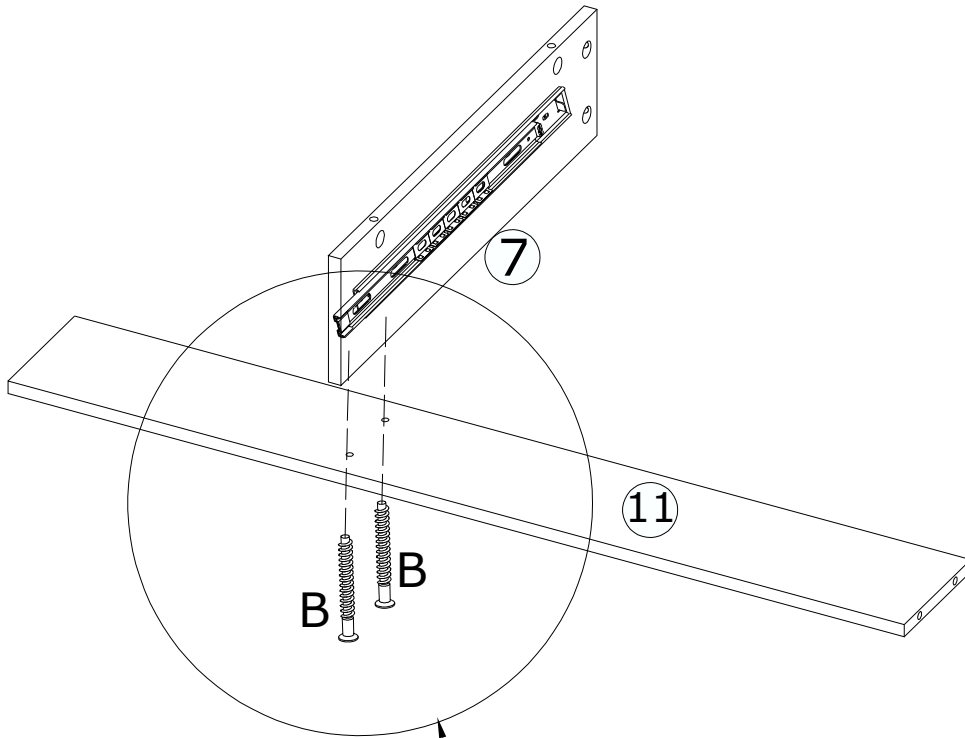


2

B X 2



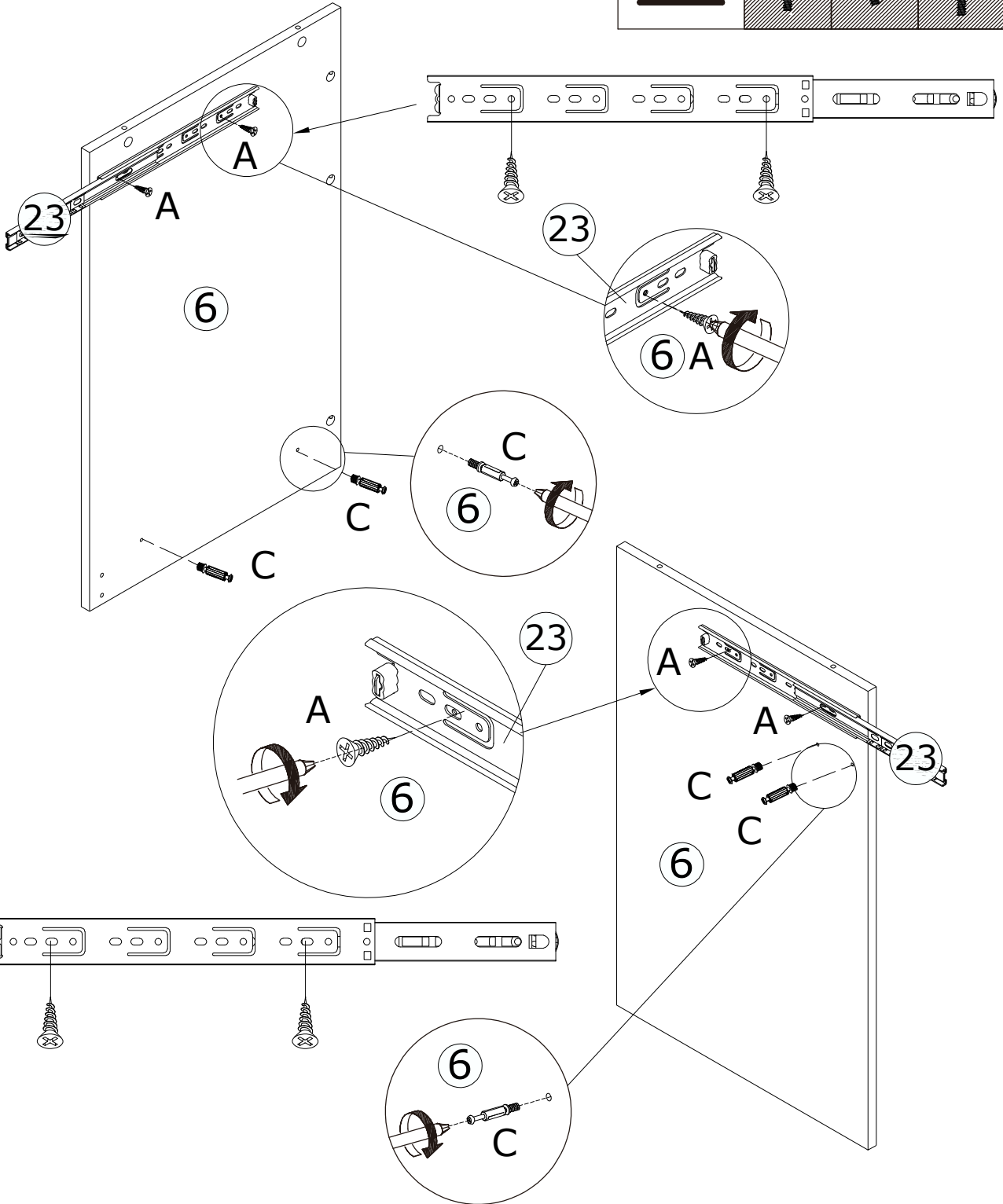
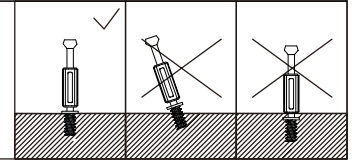
M5x40




3

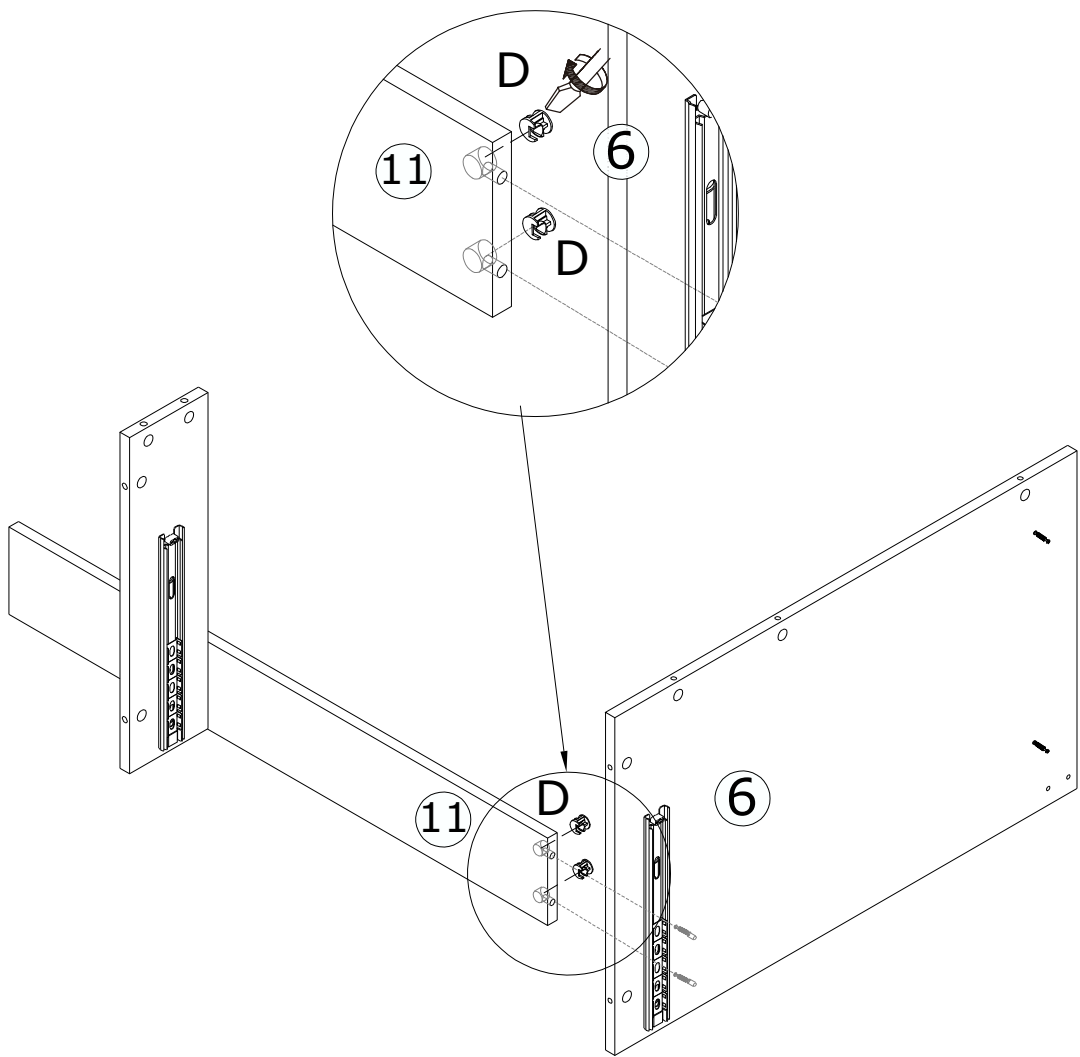
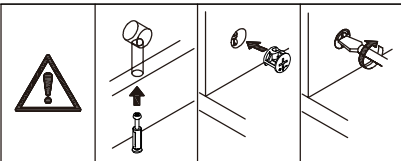
A X 4
M3.5x14

C X 4
M5x42



4

D X 2

15x10



5

C X 4

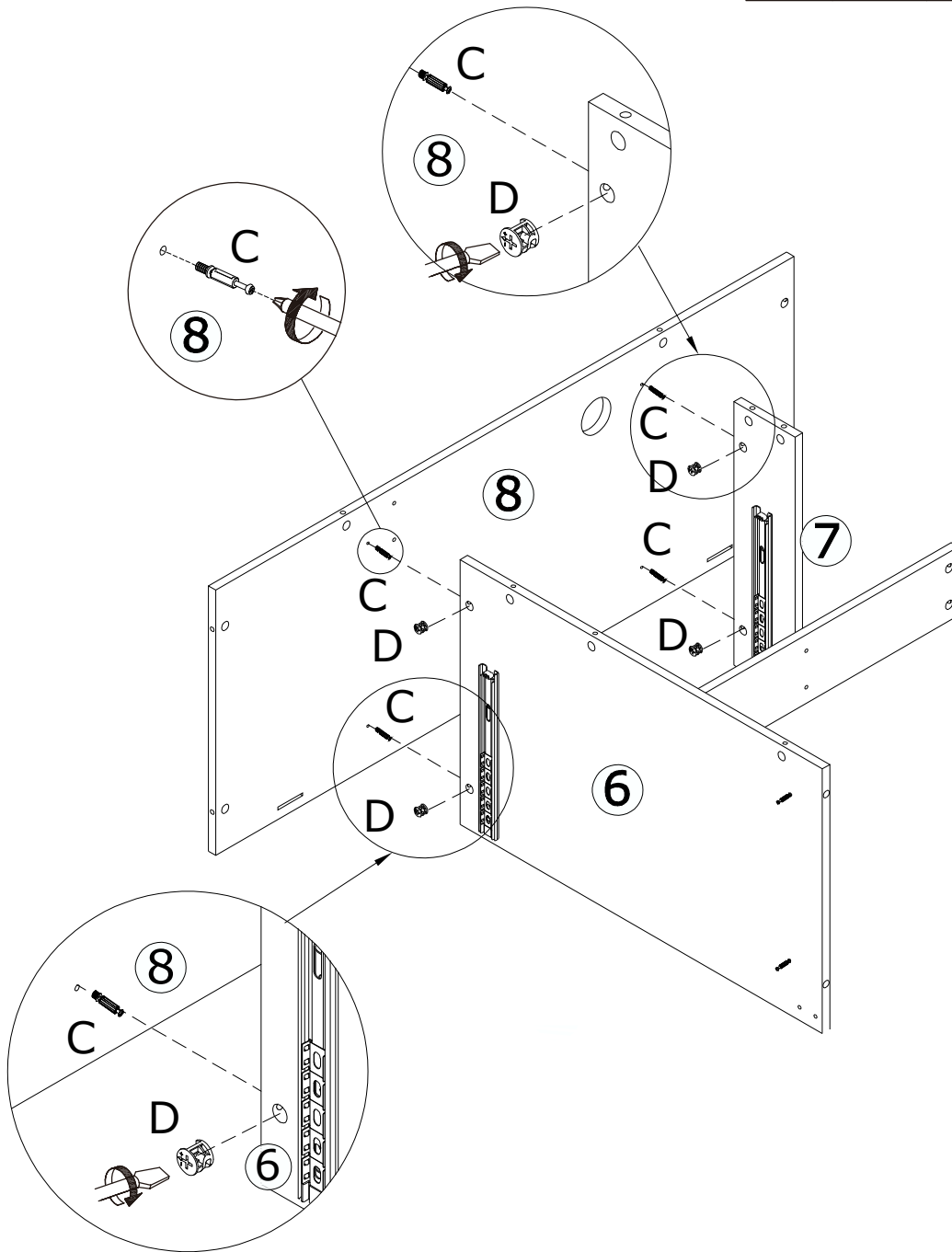
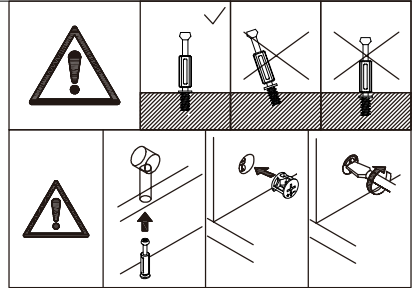


M5x42

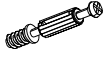

D X 4

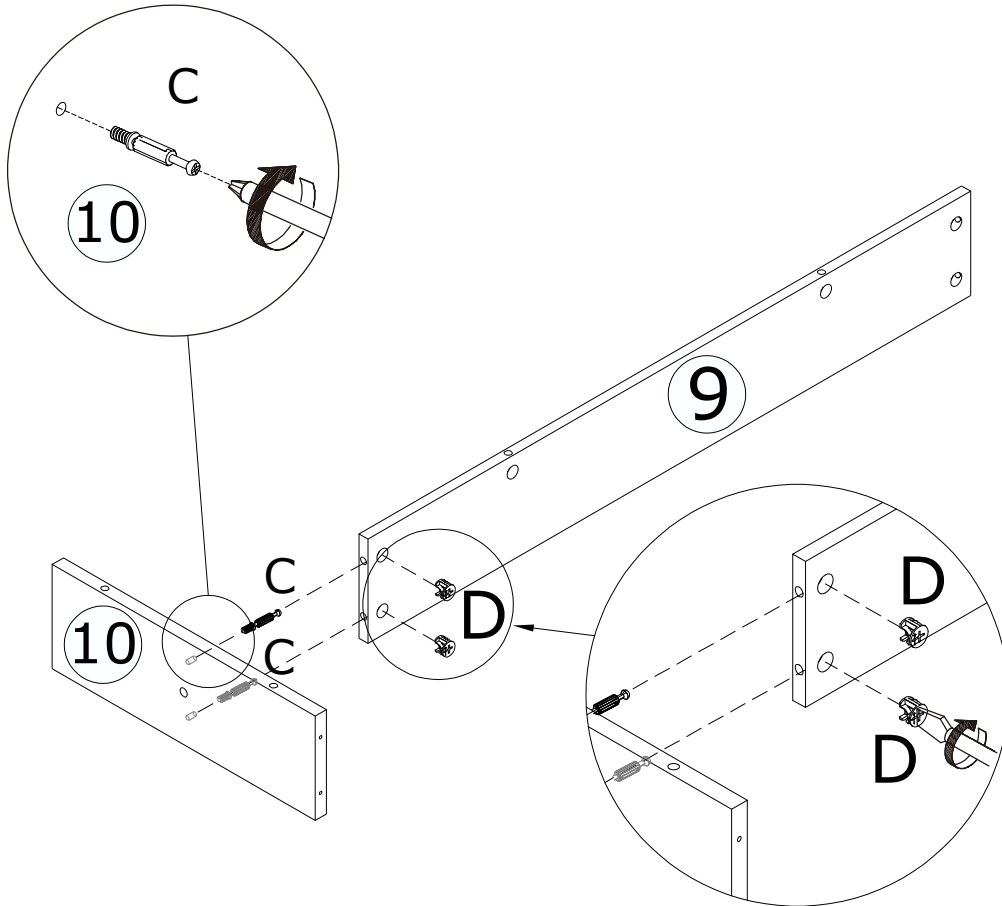
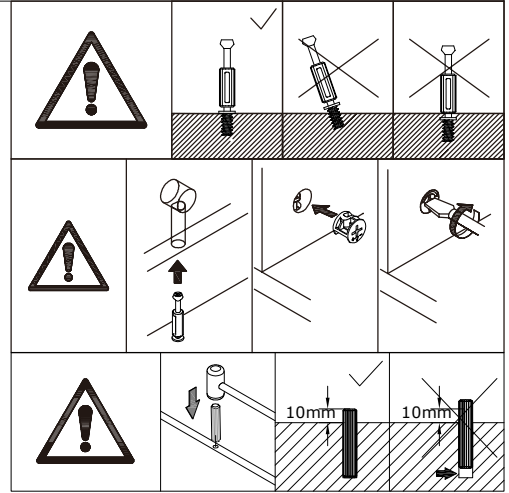


15x10



6

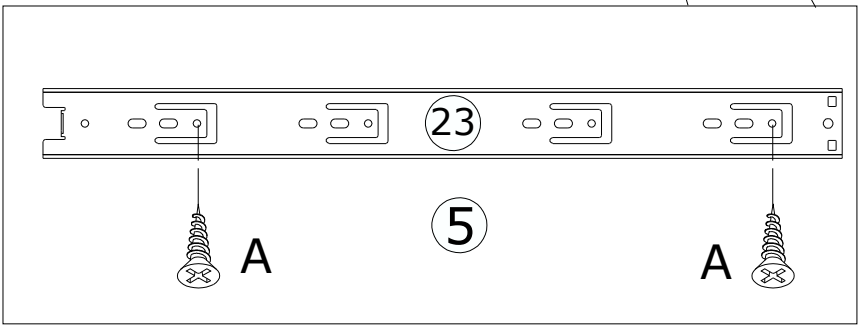
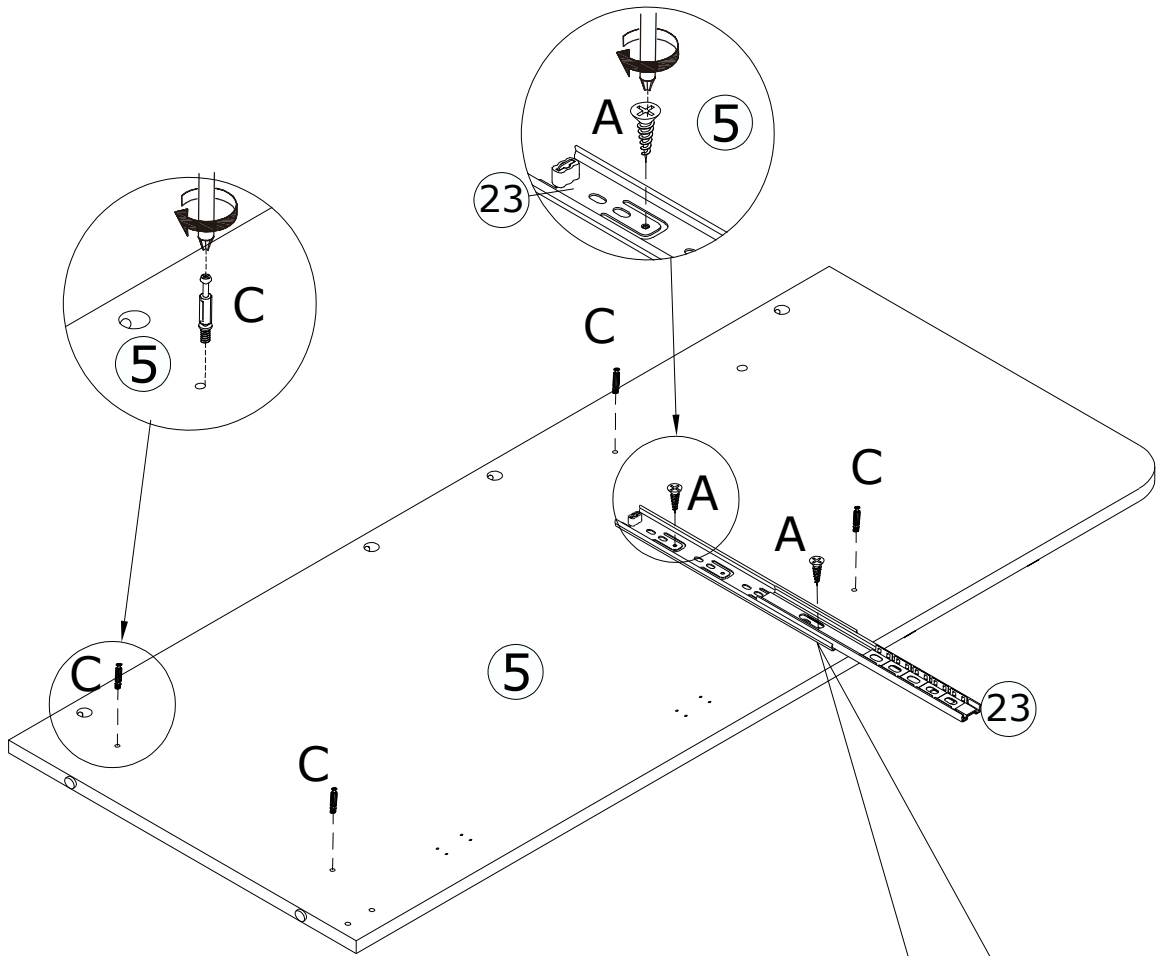
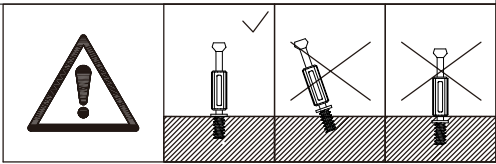
C X 2	D X 2
	
M5x42	15x10



7

A X 2
M3.5x14

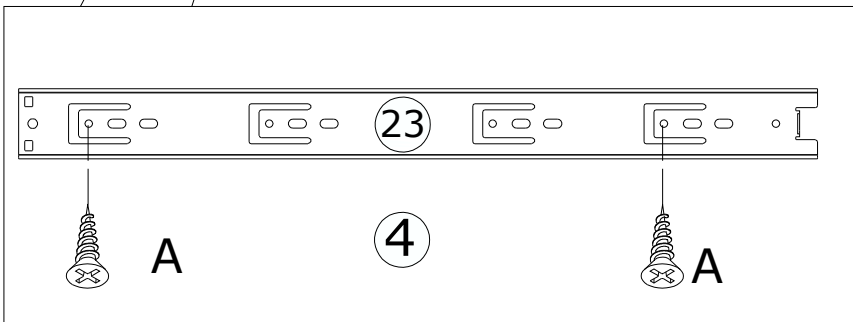
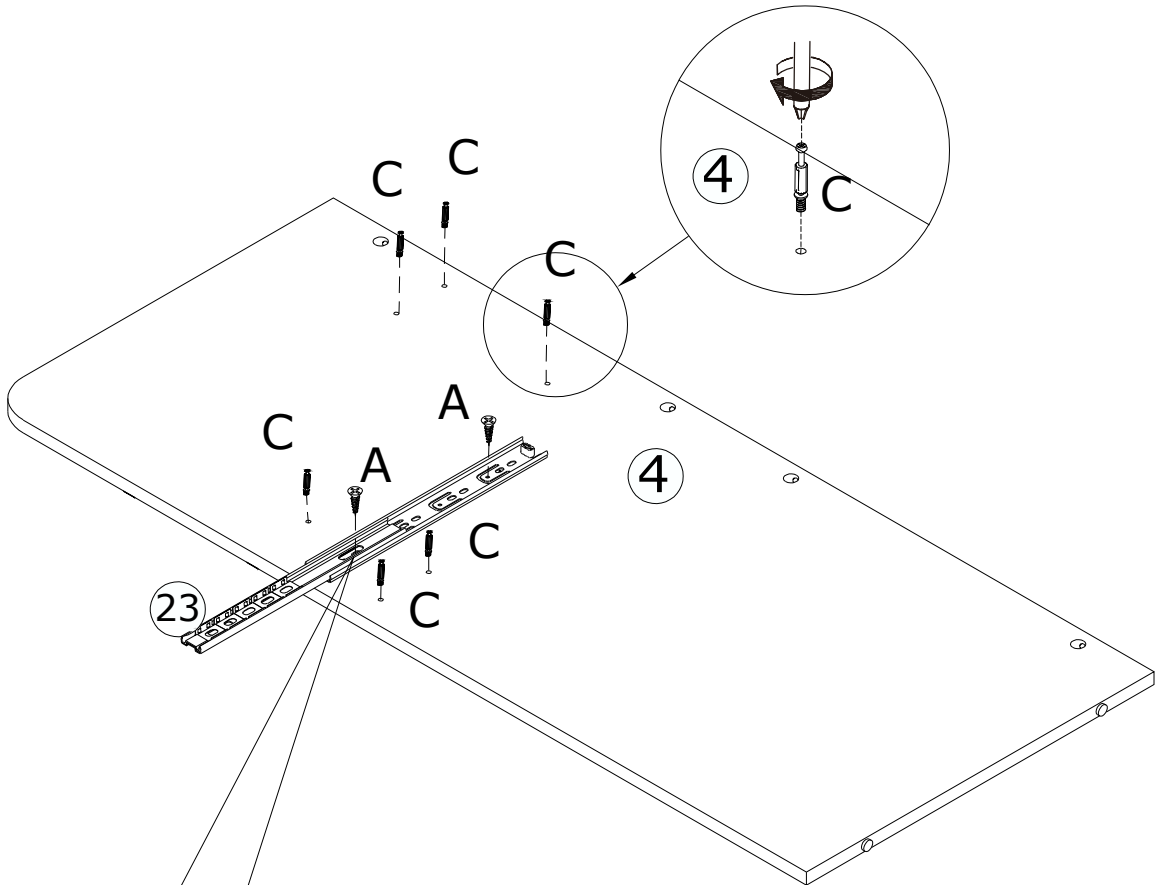
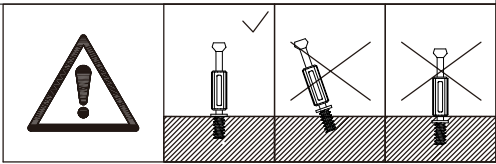
C X 4
M5x42





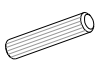
8

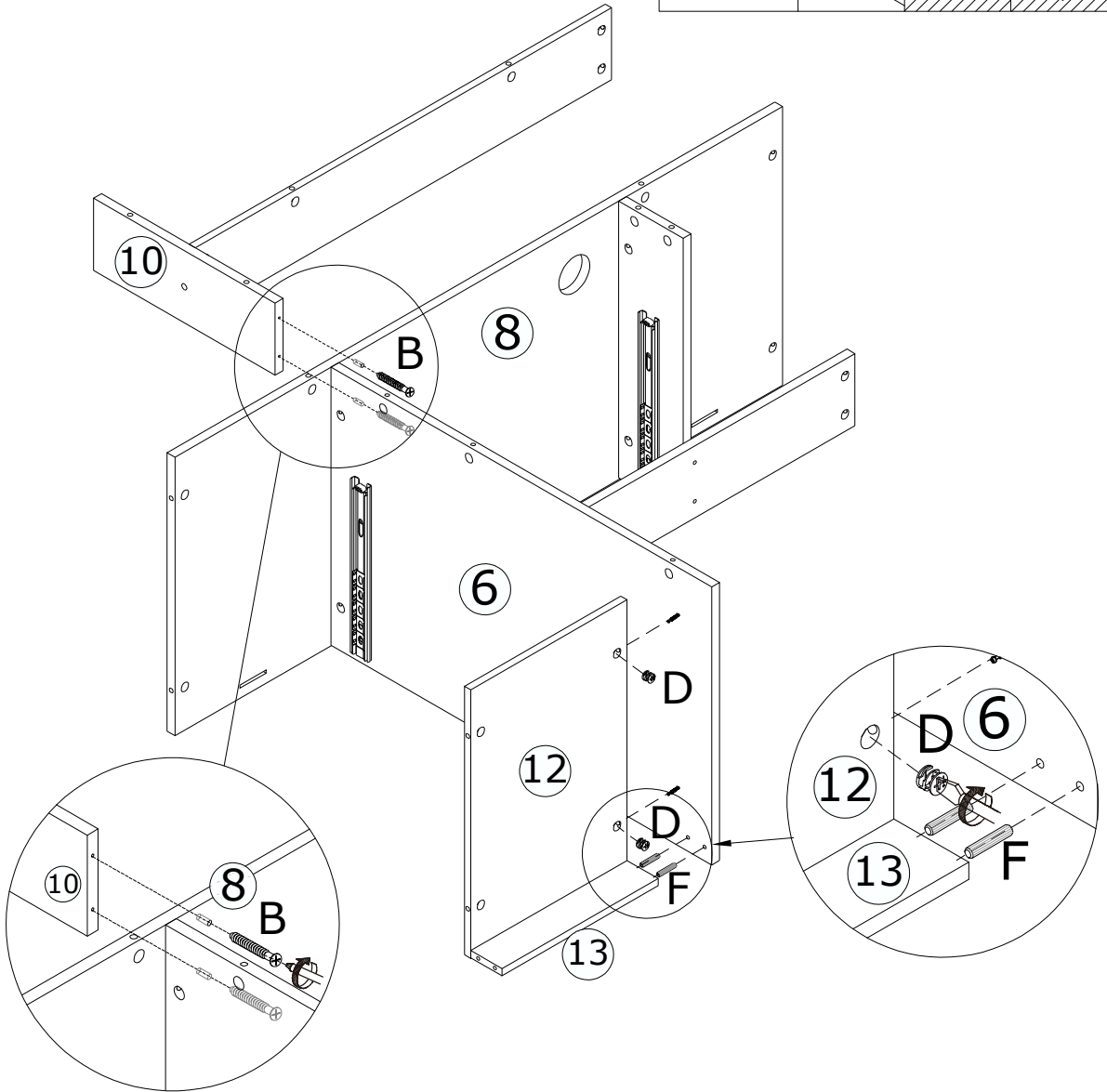
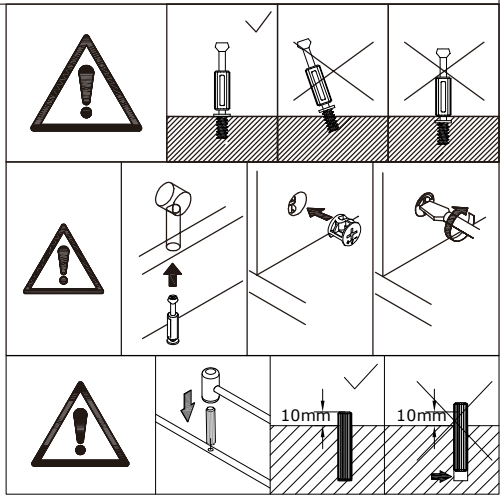
A X 2
M3.5x14

C X 6
M5x42



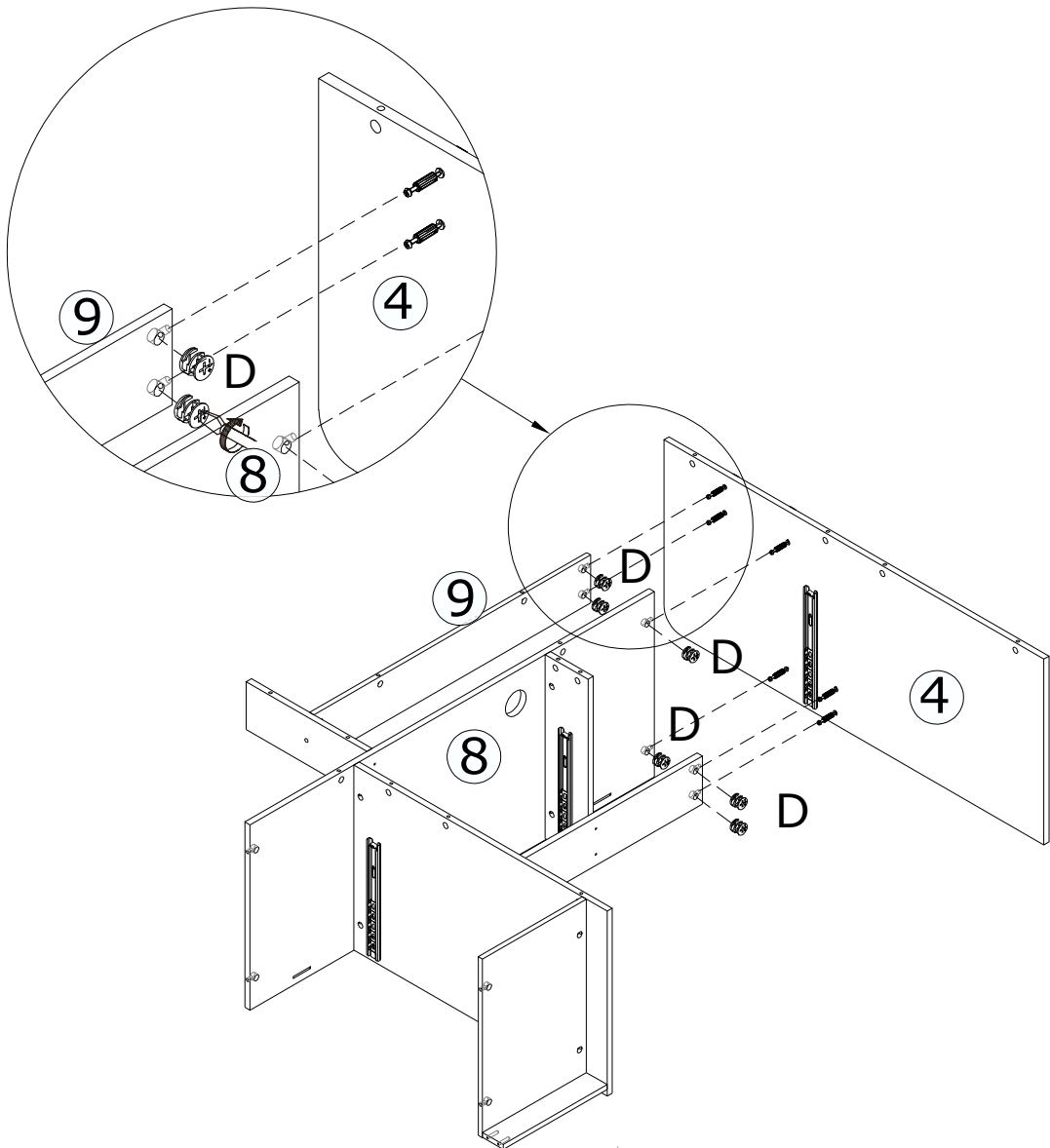
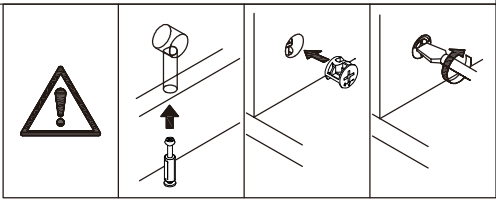
9

B X 2	D X 2	F X 2
		
M5x40	15x10	8x30





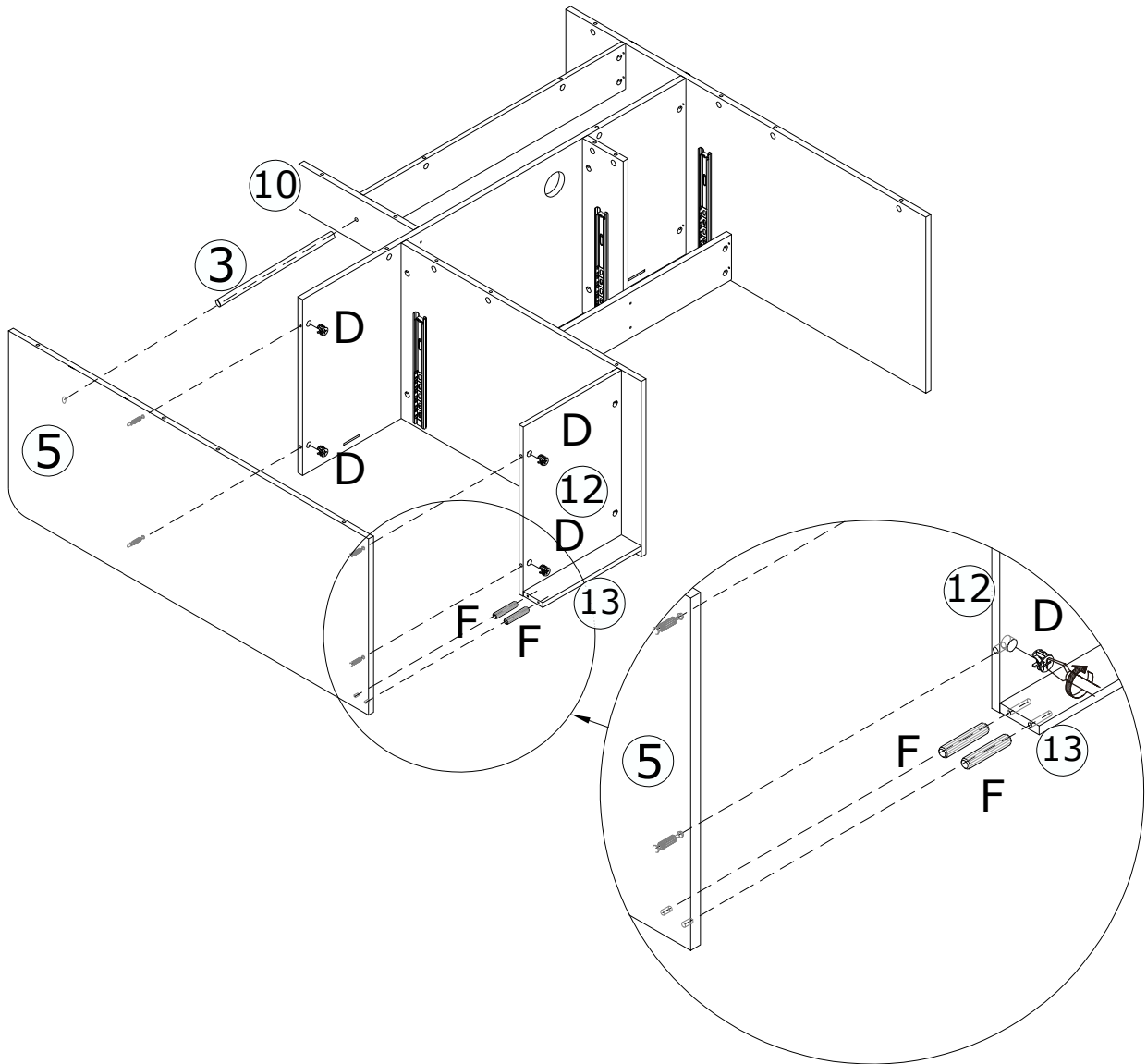
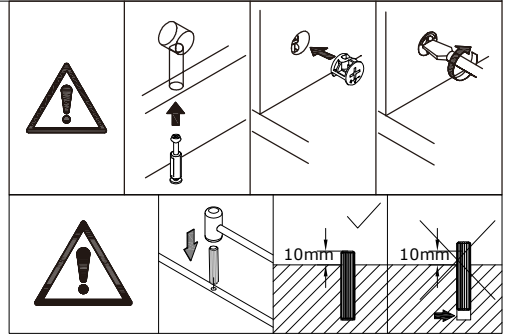
10

D X 6
15x10



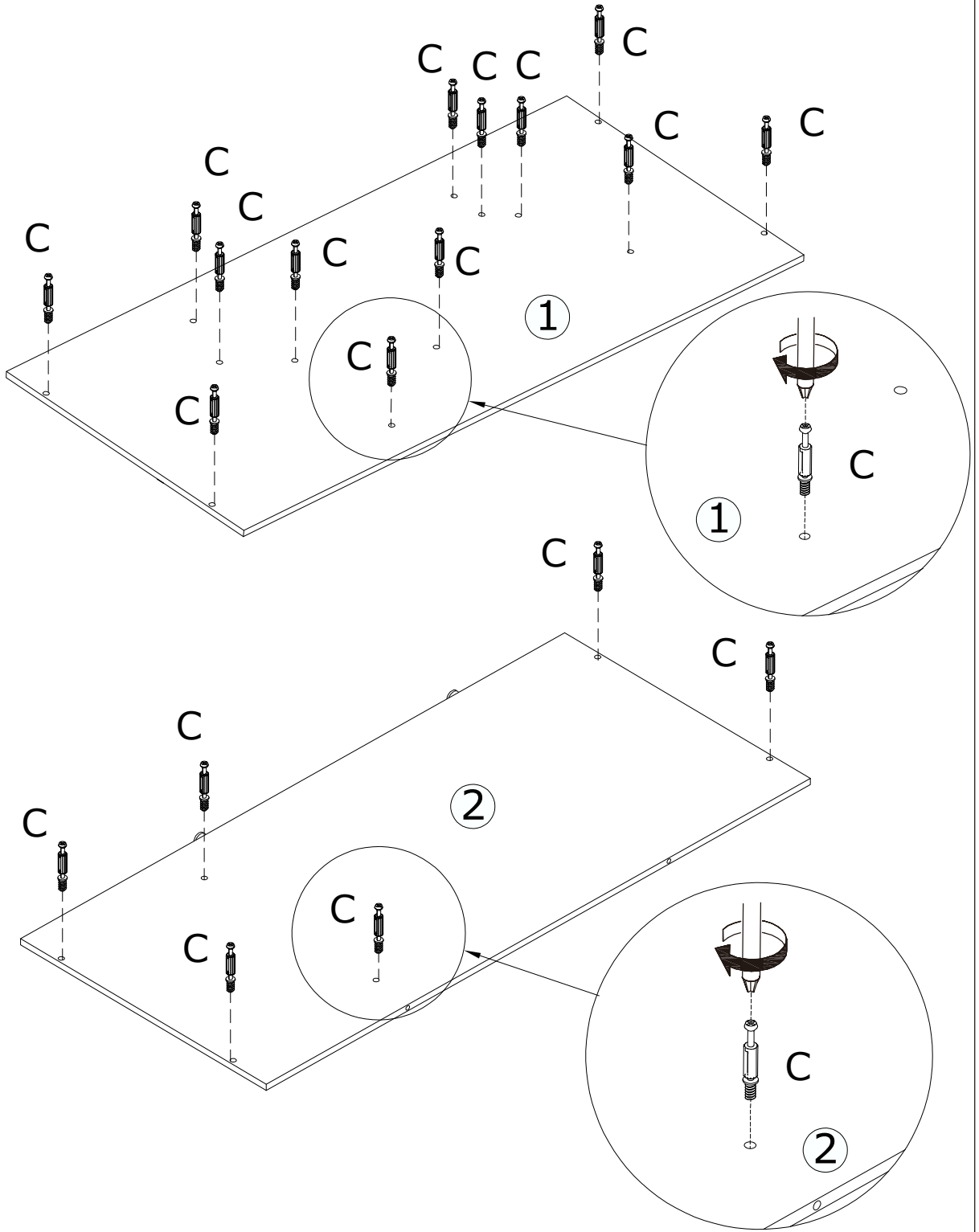
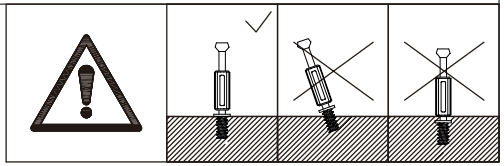
11

D X 4	F X 2
	
15x10	8x30



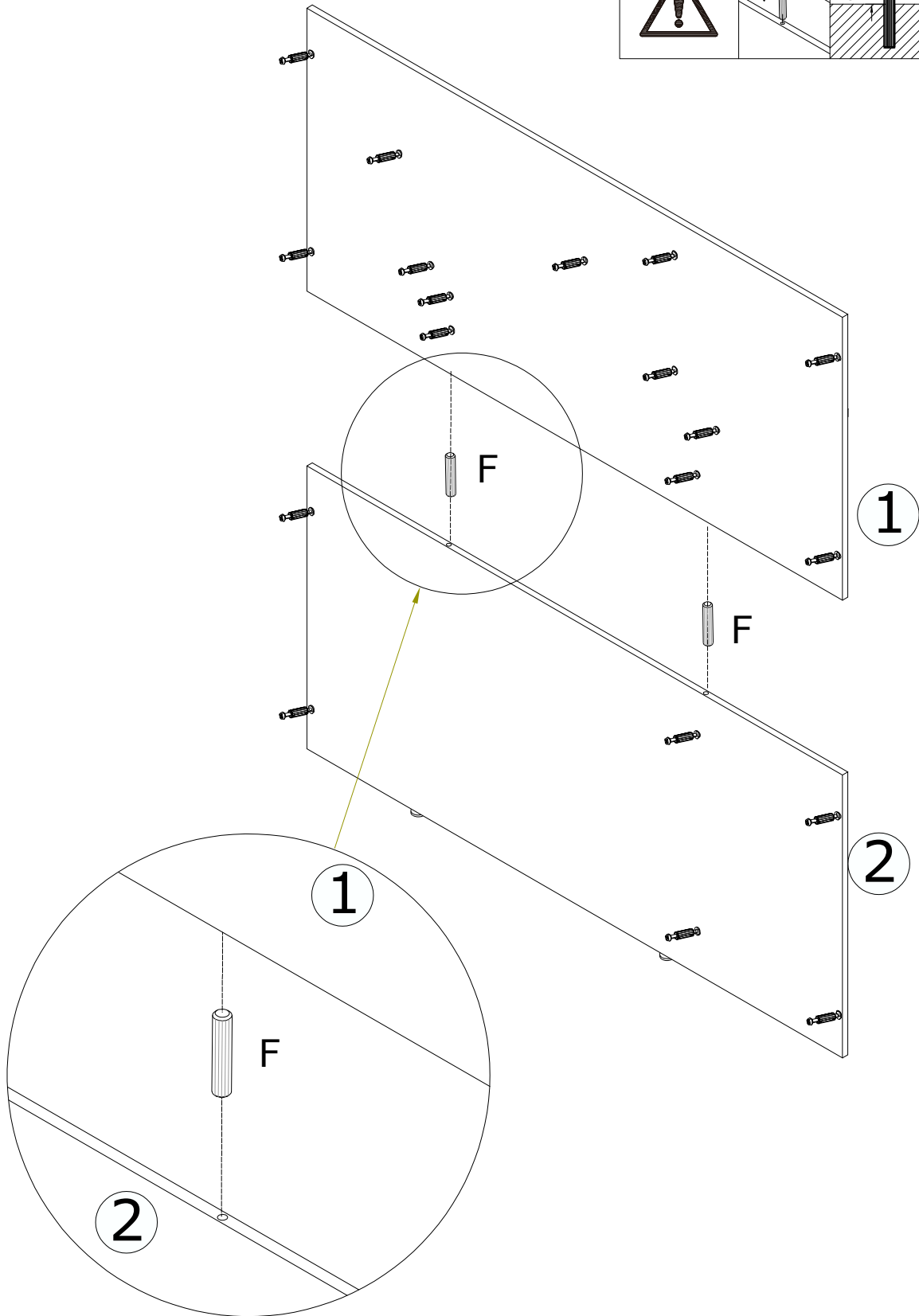
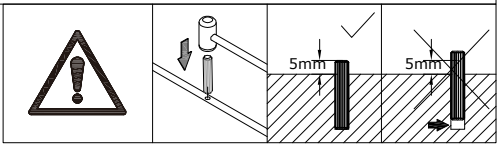
12

C X 19
M5x42



13

F X 2
8x30

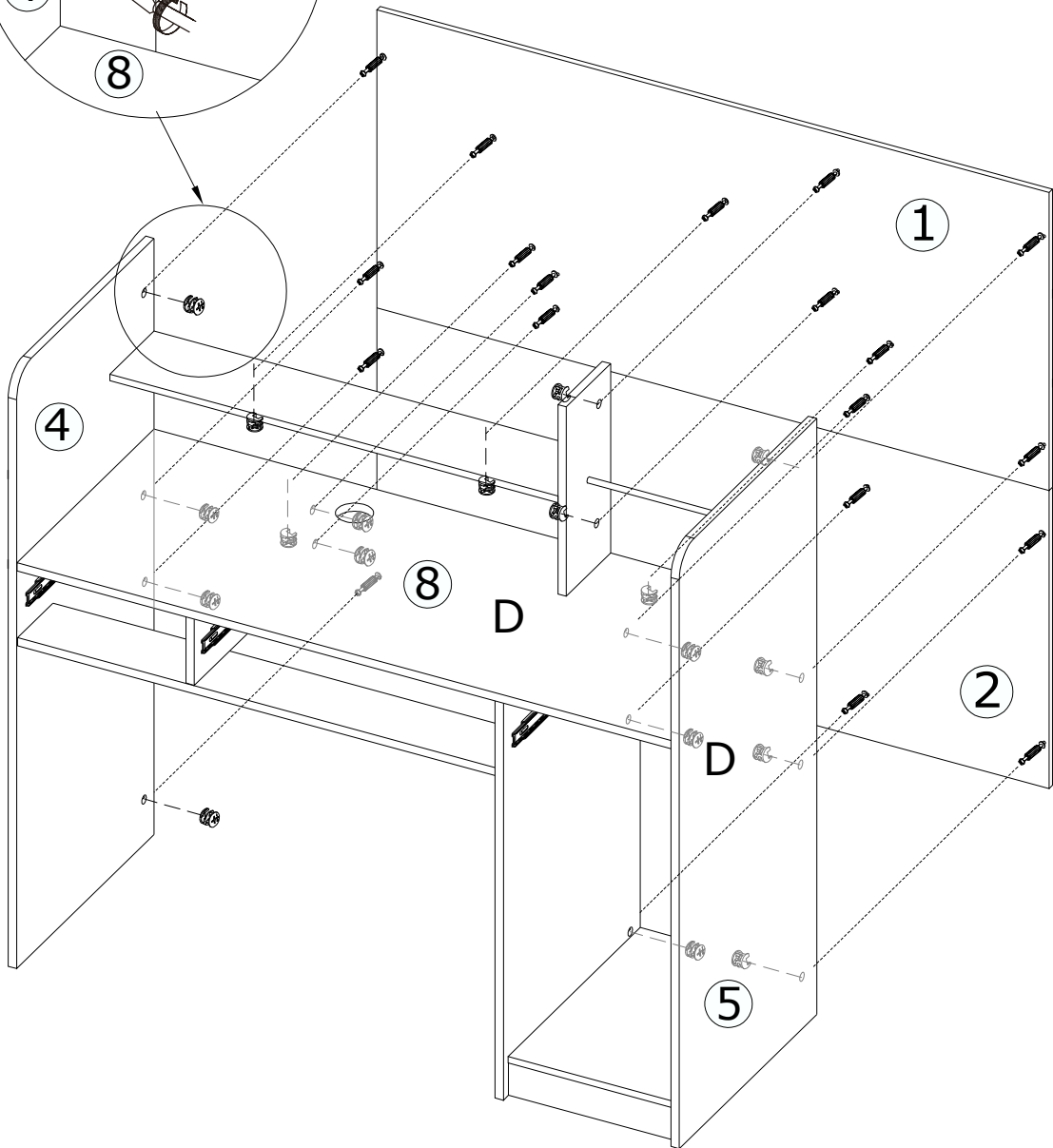
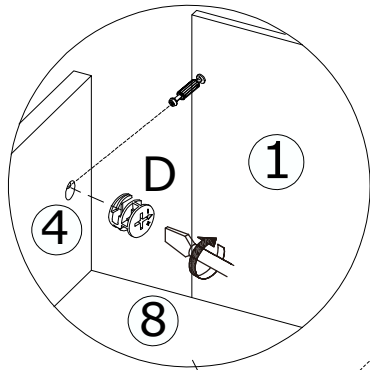
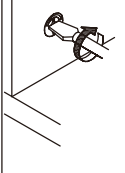
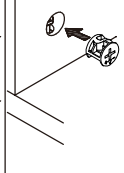
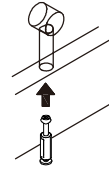


14

D X 19



15x10

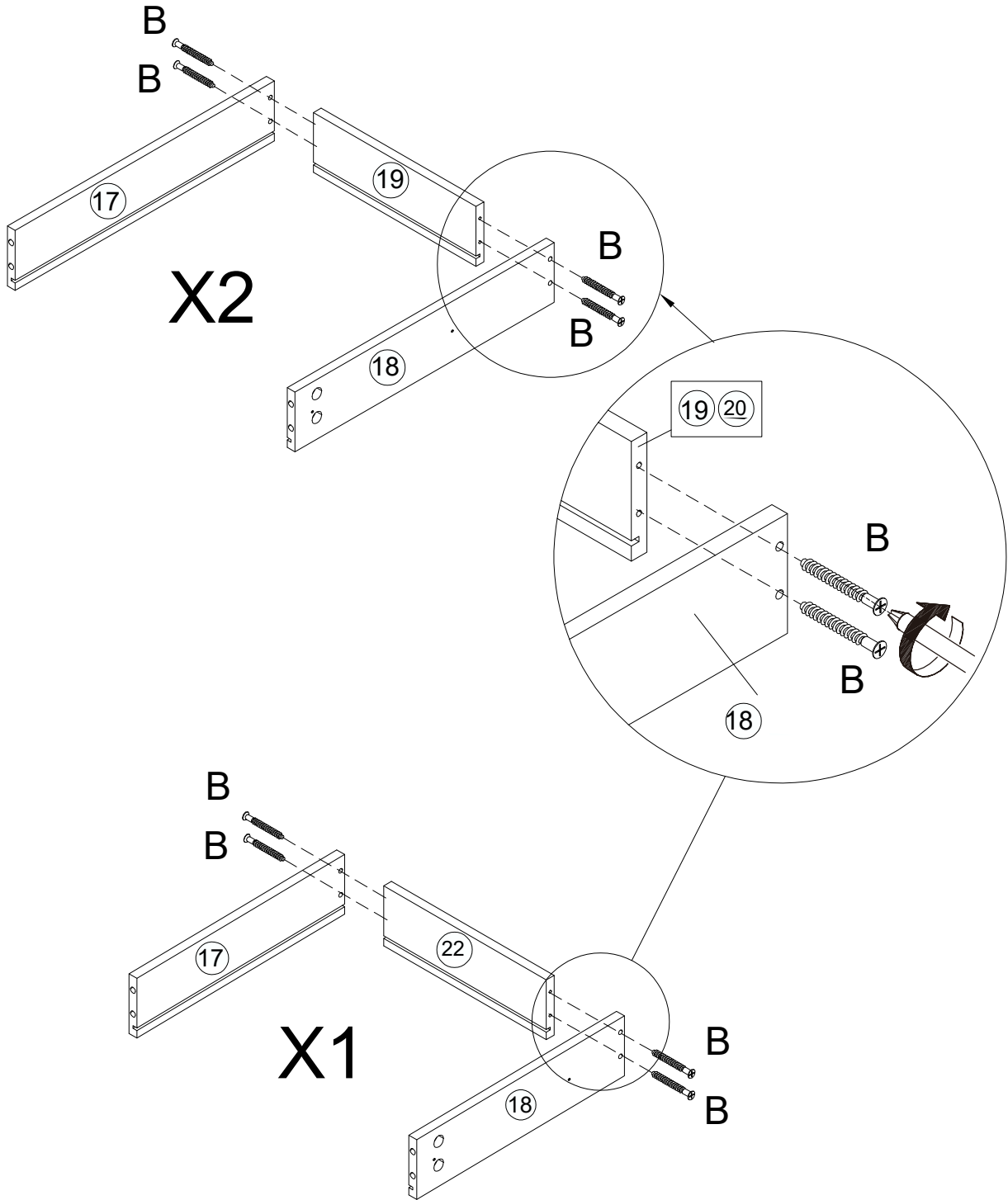


15

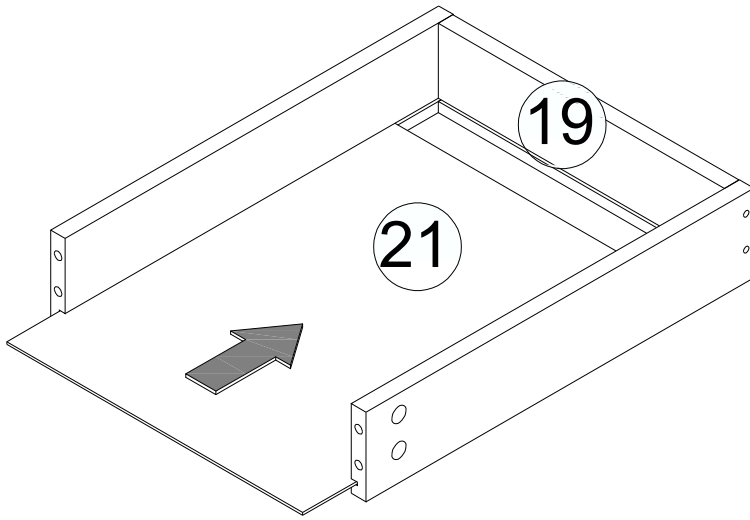
B X 12



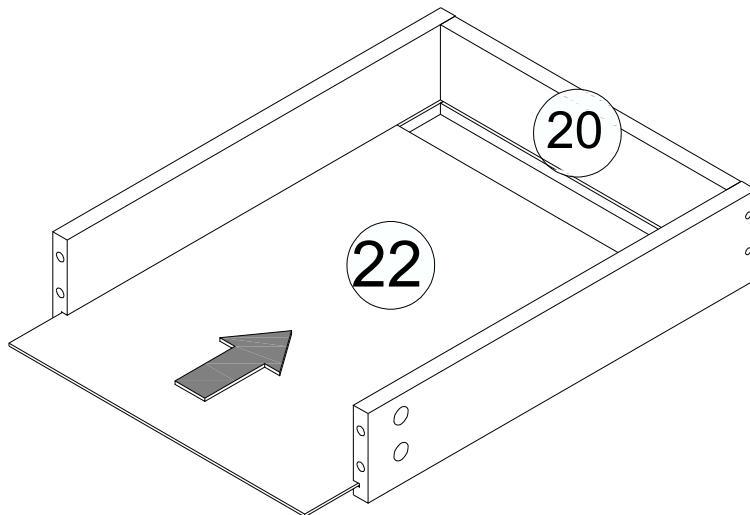
M5x40



16



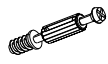
X2



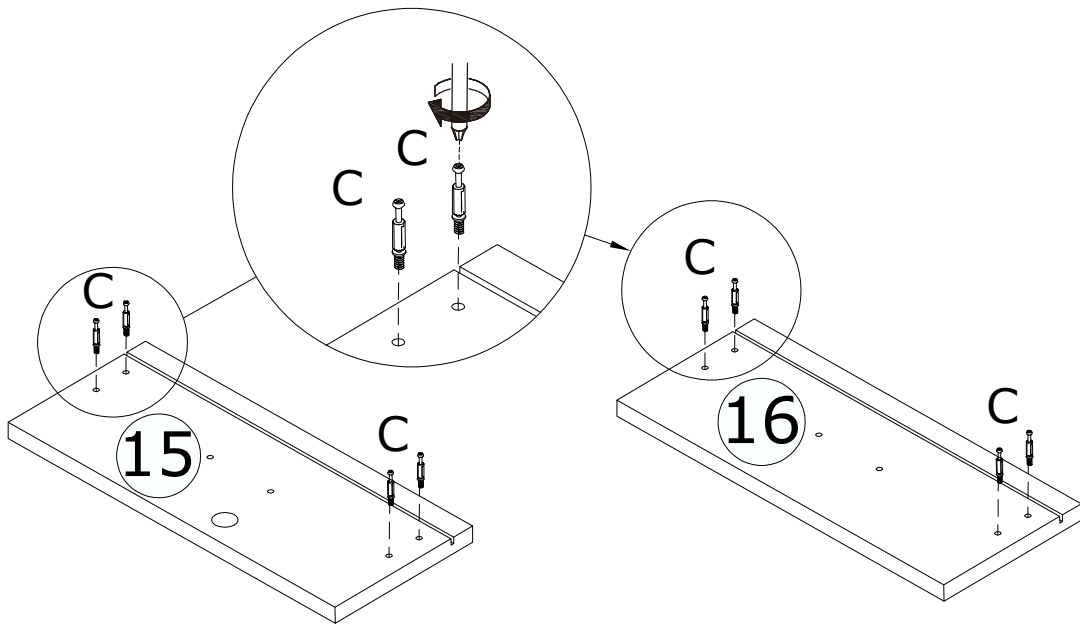
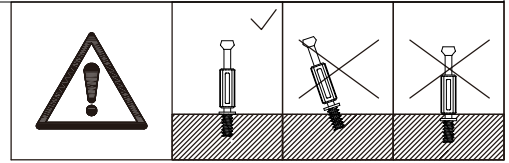
X1

17

C X 12






M5x42

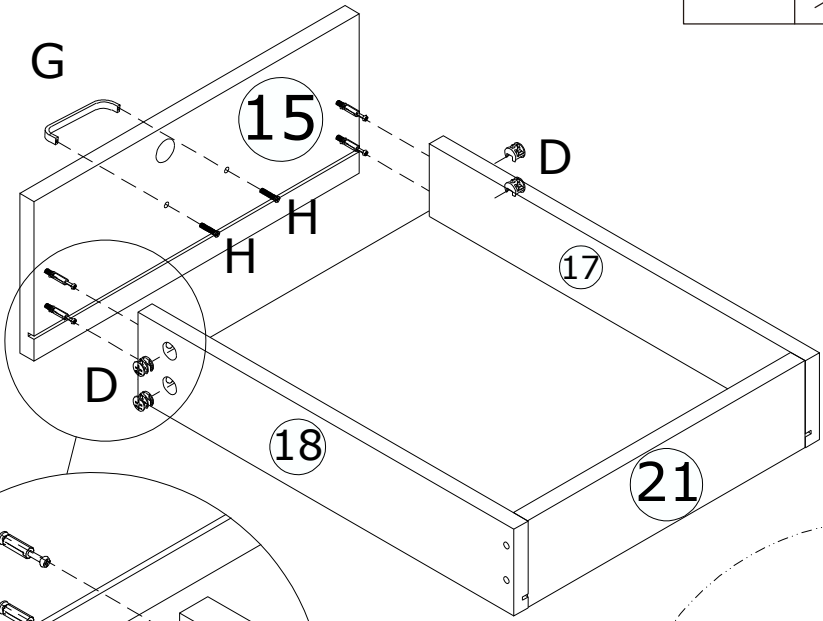
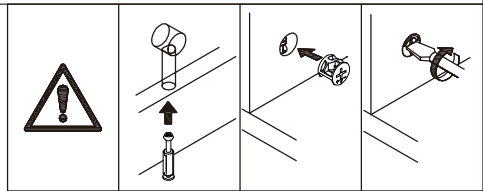


X2

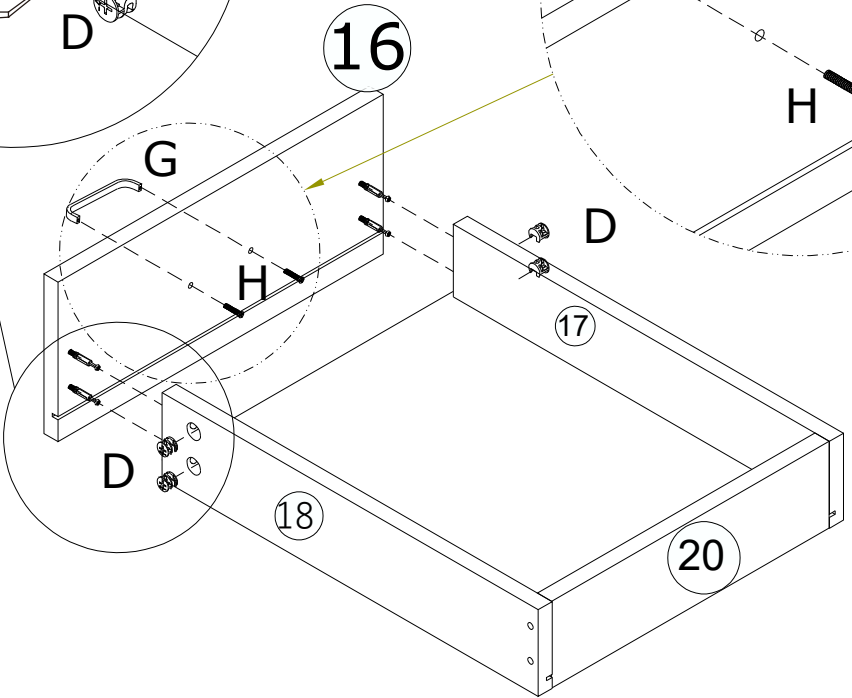
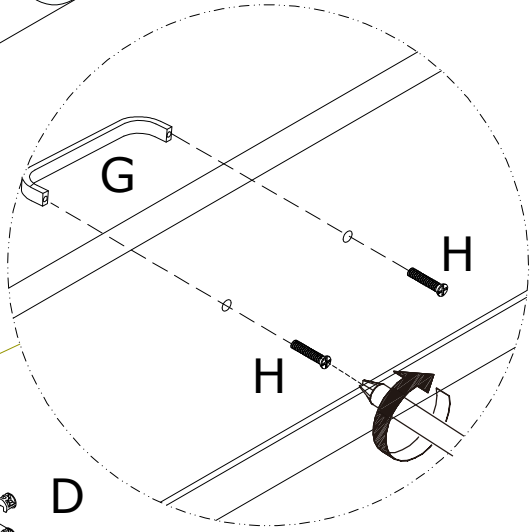
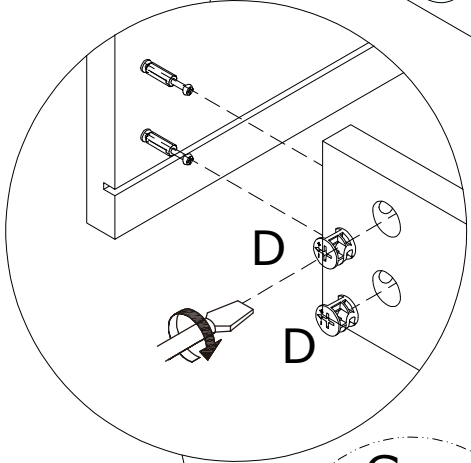
X1

18

D X 12	G X 3	H X 6
		
15x10	M4x96	M4x18



X2



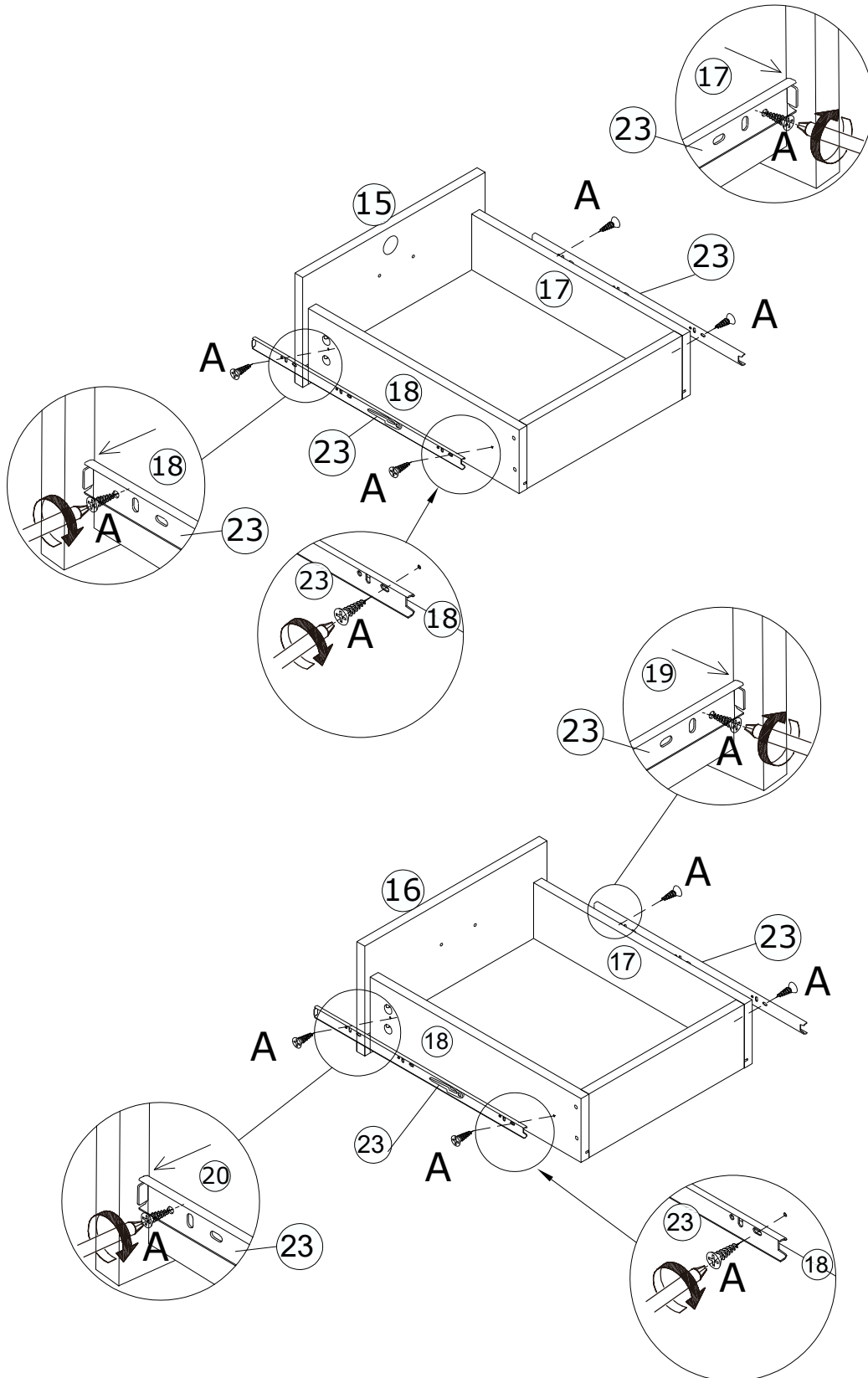
X1

19

A X 12



M3.5x14

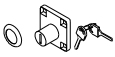


X2

X1

20

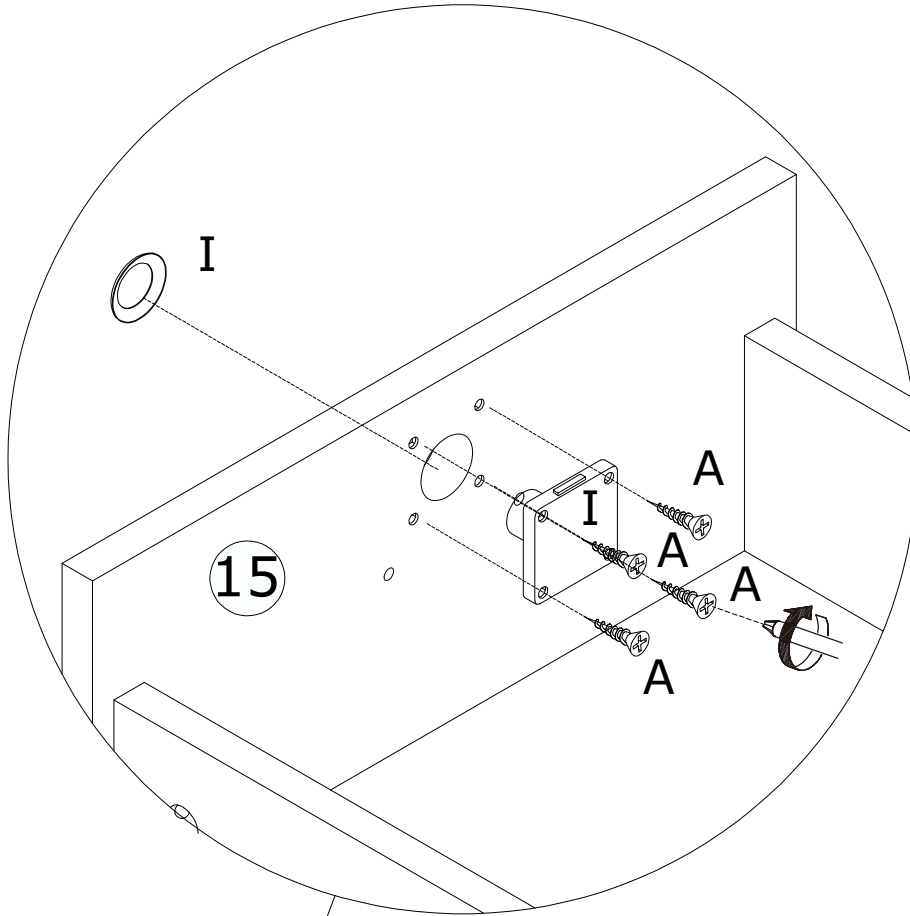
I X 2



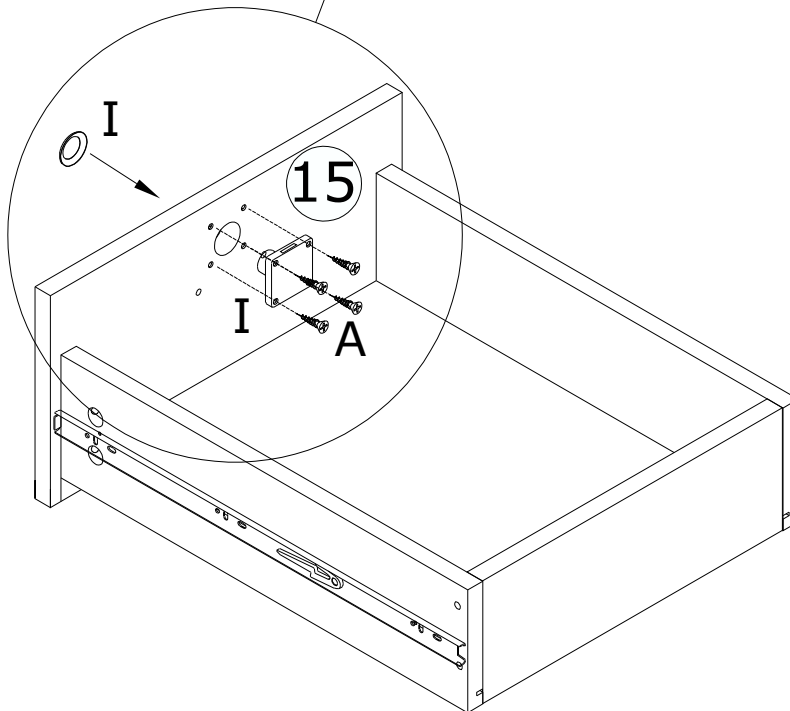
A X 8



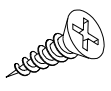
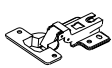


M3.5x14

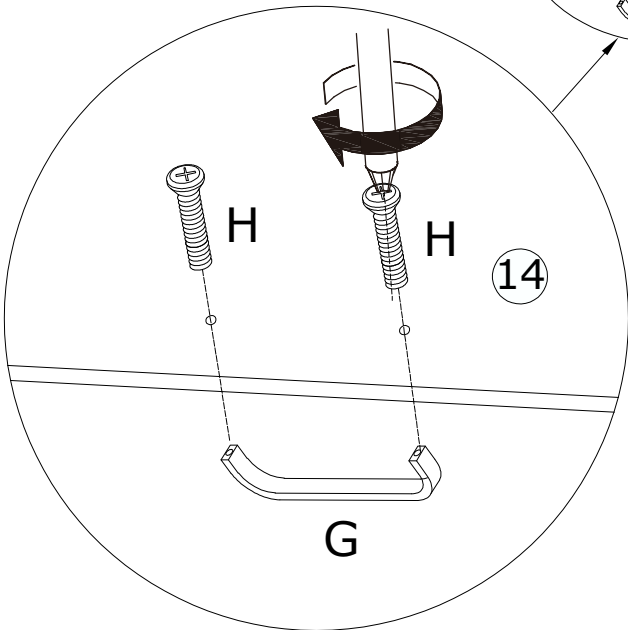
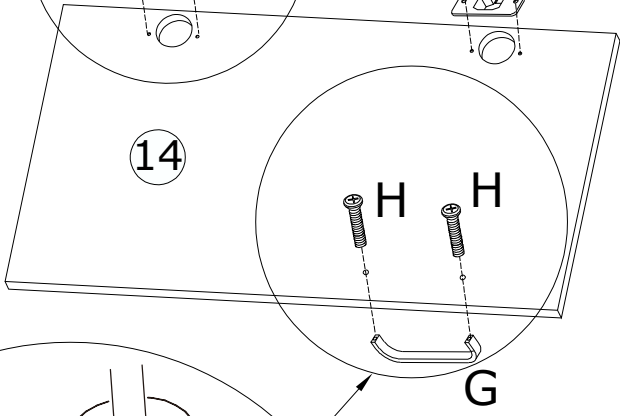
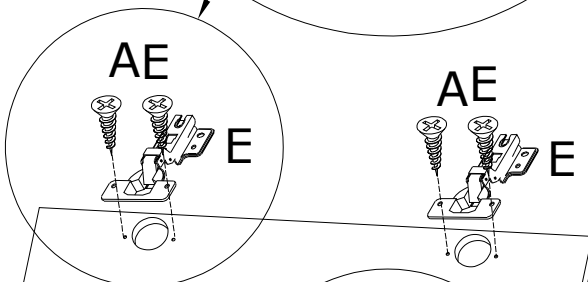
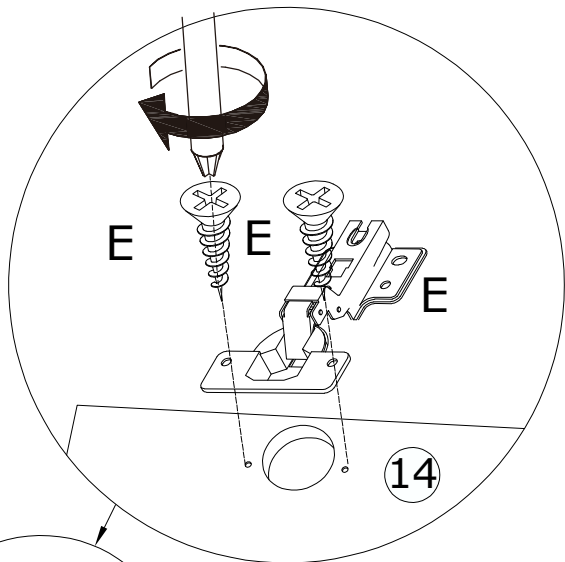


X2



21

A X 4  M3.5x14	E X 2  DW	G X 1  M4x96	H X 2  M4x18
---	--	---	---

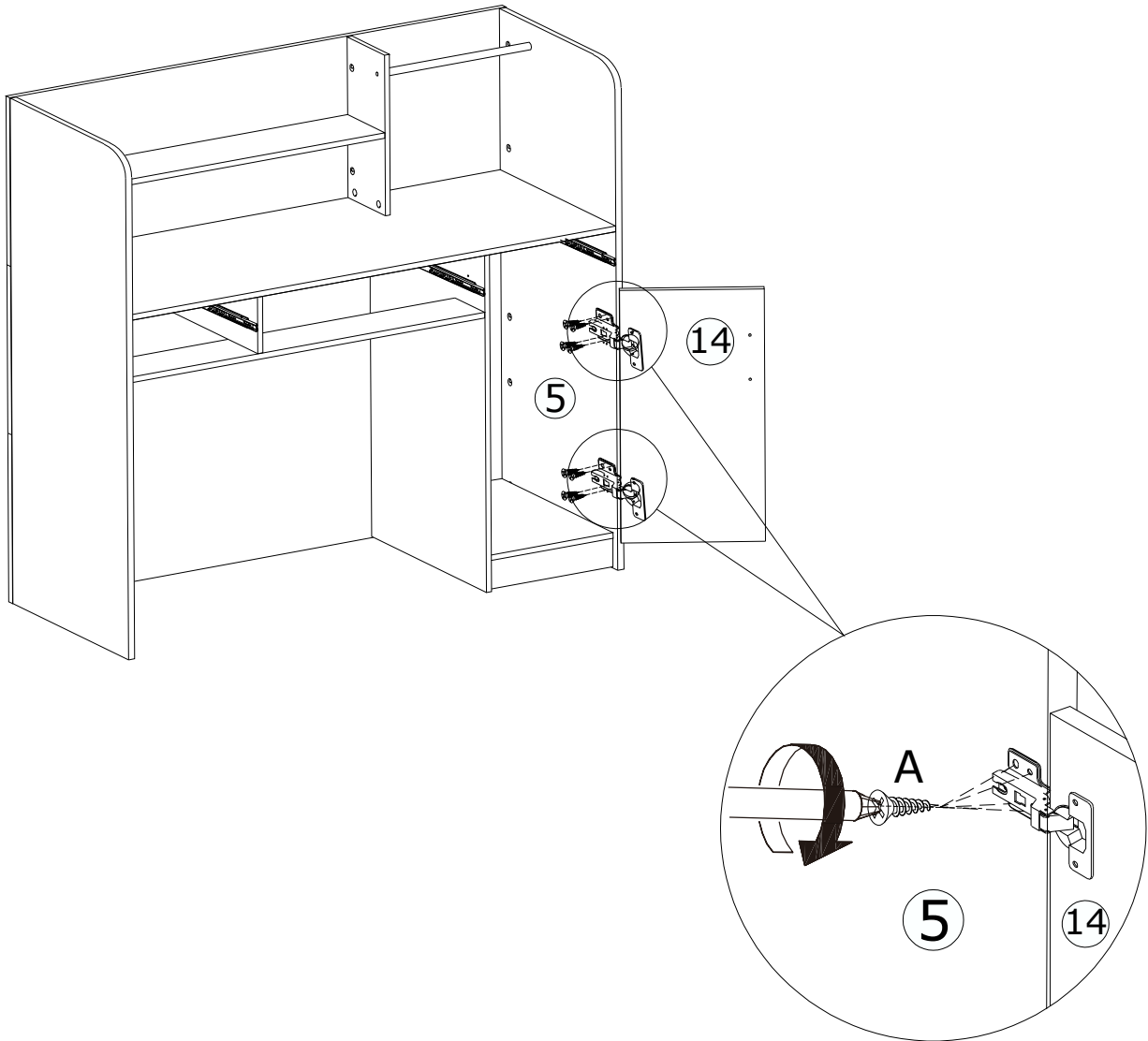


22

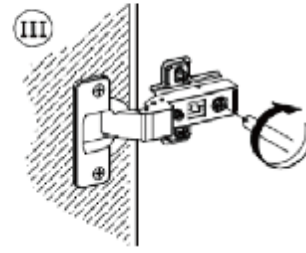
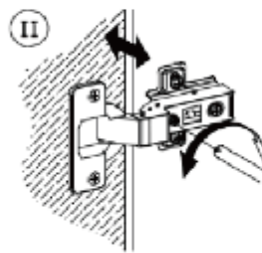
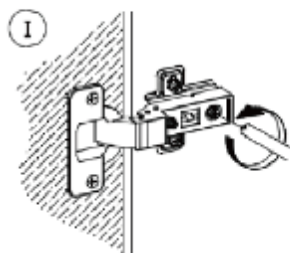
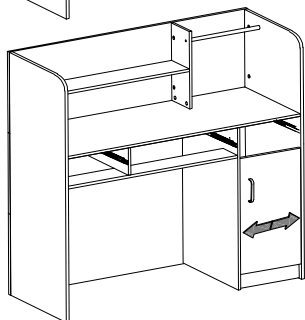
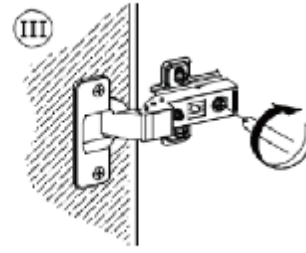
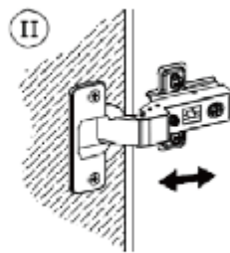
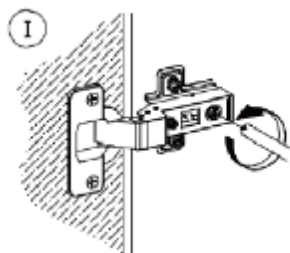
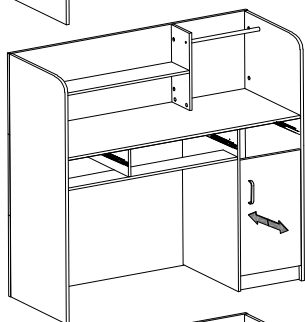
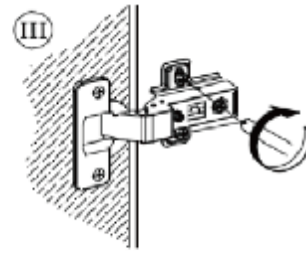
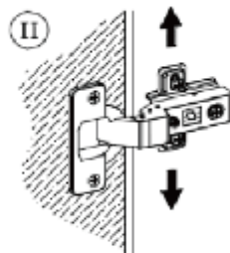
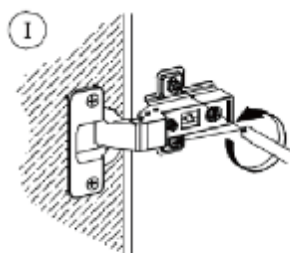
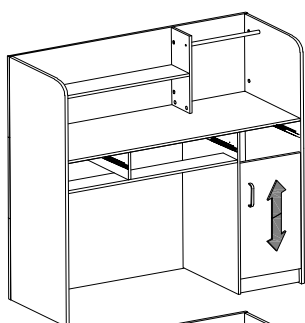
A X 8



M3.5x14



If there is misalignment after you install,
adjust the screw to the best condition



23

J X 1	K X 20	
		
50	20x1	

