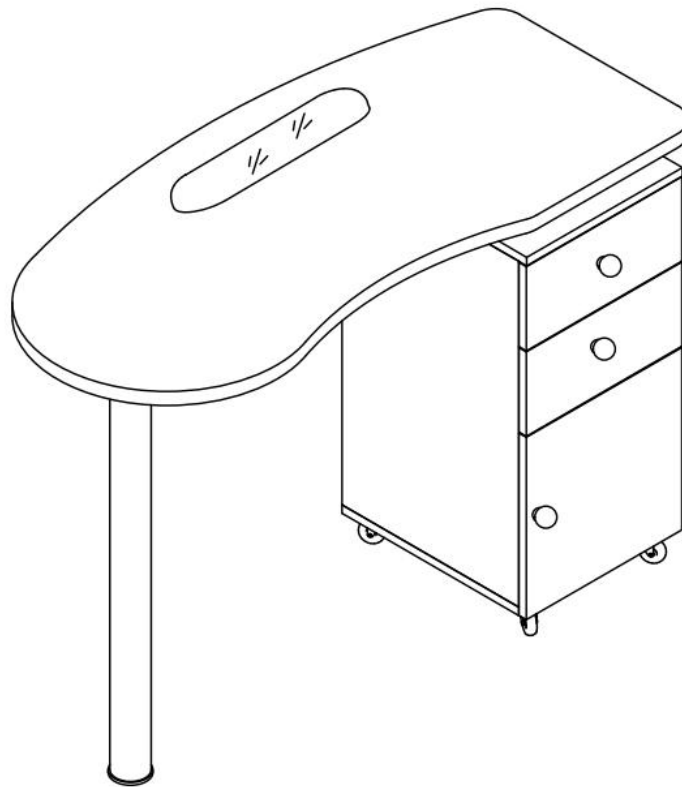




# Wooden Manicure Table

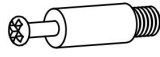



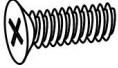








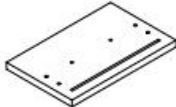








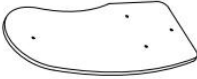



## Instruction

(Model No. WMT-SCW)



Thank you for your purchase. If you have any problem, please feel free to contact us by sending an email to [support@Omysalon.com](mailto:support@Omysalon.com). We will work out an appropriate solution for you asap. And your suggestions will be helpful for our future improvement in product and service. (Please include order# in the email subject so that we can get details about the order and the product you are inquiring about.)

● PARTS

<p>A × 46</p>  <p>Ø7*35</p>	<p>B × 46</p>  <p>Ø15*12</p>	<p>C × 3</p>  <p>M4*20</p>	<p>D × 3</p> 	<p>E × 32</p>  <p>M4*12</p>
<p>F × 2</p> 	<p>G × 1</p> 	<p>H × 1</p>  <p>Ø50*763</p>	<p>I × 4</p>  <p>M10*30</p>	<p>J × 3</p>  <p>Ø50*60</p>
<p>K × 3</p>  <p>M10*25</p>	<p>L × 2</p> 	<p>M × 2</p> 	<p>N × 2</p>  <p>320*150*15</p>	<p>O × 4</p>  <p>300*96*15</p>
<p>P × 2</p>  <p>234*96*15</p>	<p>Q × 2</p>  <p>243*295*5</p>	<p>R × 1</p>  <p>623*364*15</p>	<p>S × 1</p>  <p>623*364*15</p>	<p>T × 1</p>  <p>382*322*15</p>
<p>U × 1</p>  <p>623*289*15</p>	<p>V × 1</p>  <p>366*322*15</p>	<p>W × 1</p>  <p>1100*450*25</p>	<p>X × 1</p>  <p>332*320*15</p>	<p>Y × 2</p> 
<p>Z × 1</p> 				

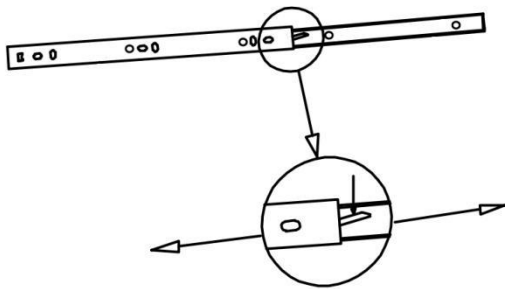
## ● ASSEMBLY ILLUSTRATION

### Tip:

1. It is suggested not to fully tighten the screws and eccentric wheels until all the steps have been done and parts are installed correctly.
2. Tools that may be needed for assembly: screwdriver and power drill.
3. Drawer slides are kind of oily. If you want to keep your hands clean, you can wear gloves.

### Step 1 Assemble Drawers

Extend the drawer slide and press the release lever to separate the inner rail from the outer rail. And put the outer rail (that will be installed to the side panel of the cabinet) aside.

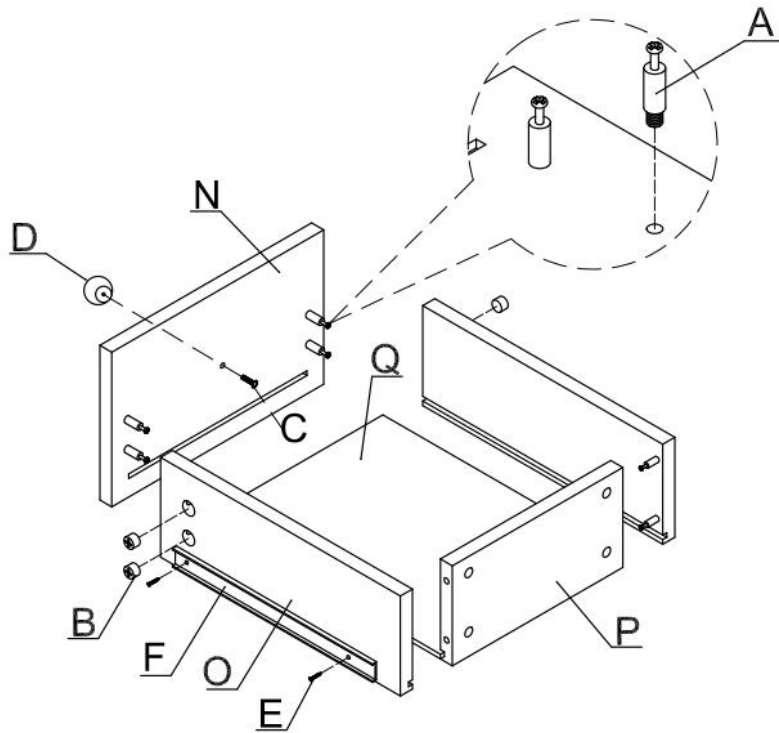


Locate all the panels for drawers and secure the dowels to pre-inserted nuts on the front panel and side panels first. And then mount the inner rails of the drawer slides to the side panels with screws.

Line up the dowels on the front panel with the holes on the side panels and push them into the holes. Put the eccentric wheels into the holes on the side panels.

Install the bottom panel and the back panel. Put the eccentric wheels into the holes on the back panel.

Tighten all the eccentric wheels with your screwdriver and install the knob to the front panel. Then a drawer is done. Assemble the other drawer in the same way.



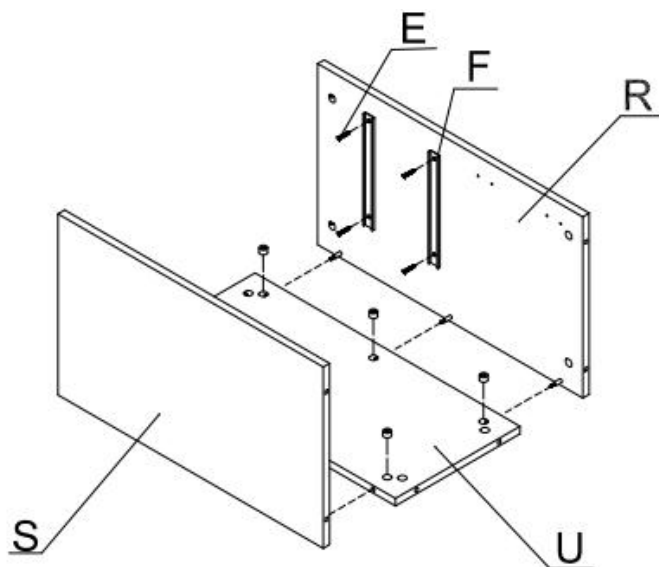
### Step 2 Assemble the Cabinet

Line up the holes on the outer rails of the drawer slides with the holes on the side panels and then mount the outer rails to the side panels with screws.

Locate the side panels and back panel. Install the dowels to the pre-inserted nuts on the side panels.

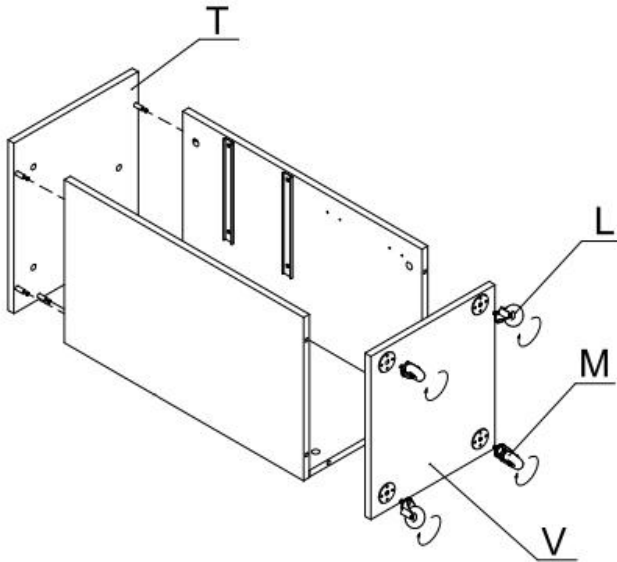
Line up the dowels on the side panels with the holes on the back panel and push them into the holes.

Put the eccentric wheels into the holes on the back panel and then secure them.

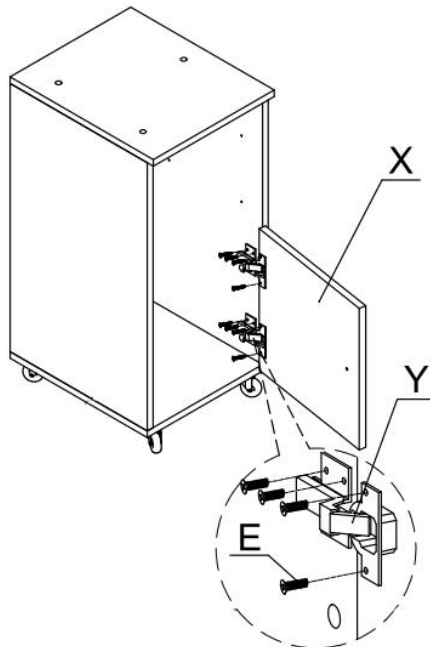


Install dowels to the pre-inserted nuts on the top panel and the bottom panel and push the dowels into the holes on the side panels.

Put the eccentric wheels into the holes on the side panels and tighten them. And then install the wheels to the bottom panel.



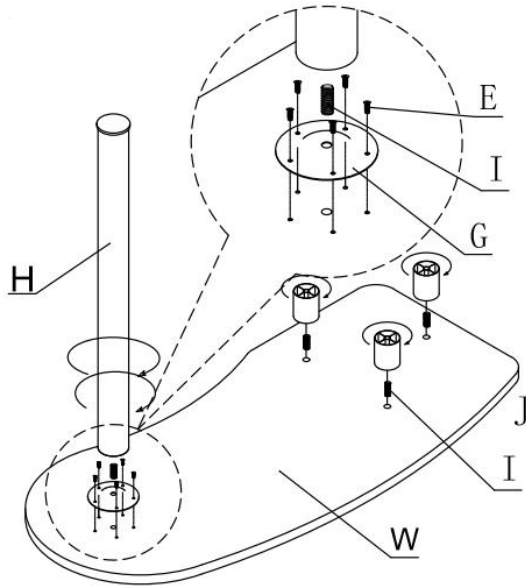
Align the holes on hinges with the holes on the side panel and the door. Insert screws into the holes and tighten them. And secure the knob to the door with screw.



### Step 3 Install the Supporting Tube

Secure the metal plate to the bottom of the tabletop with screws. Turn the screw (Part I) to tighten part of the screw into the supporting tube first. Then put the screw into the hole on the bottom of the tabletop and turn the supporting tube to secure it to the tabletop.

Install screws (Part I) to the bottom of the tabletop. Line up the holes on the connection tubes with the screws and turn the connection tubes to secure them to the tabletop. Prepare for the next step.



### Step 4 Connect the Tabletop to the Cabinet

Align the holes on the connection tubes with the holes on the top of the cabinet. Put the screws into the holes and tighten them. Put the drawers into the cabinet. Then a manicure table is done.

