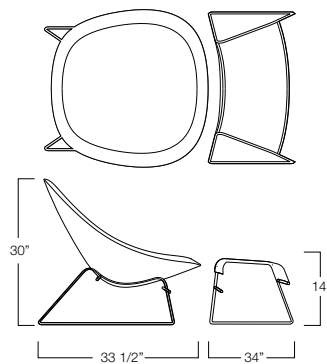


Mute Chair/Ottoman

Mike and Maaike, 2007



The Mute chair is designed to inspire serenity and calm. The simple, uninterrupted lines flow gently around the fully upholstered seat; the simple base is made of powder-coated steel. Seats, upholstered in 100% wool fabric, come in Charcoal, Oatmeal, Blue and Red.



Charcoal
100% wool

Oatmeal
100% wool

Blue
100% wool

Red
100% wool