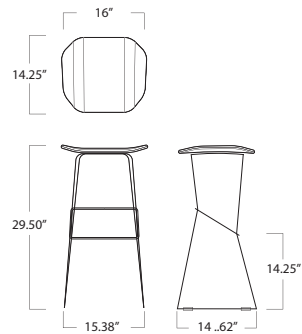


Chrysalis Stool

One & Co, 2007



At once delicate and robust, this stool is wonderfully simple. A sleek and comfortable upholstered seat is perched atop a slender stainless steel base; the cross bar doubles as a foot rest. Available in upholstered fabric and leather.



Black Leather



Brown Leather



White Leather



Blue



Blue-Purple



Pink



Beige