

ALARM

Installation guide & record / warranty

This installation guide can be viewed and printed online, visit:
StarterStopper.com

Thank you for purchasing StarterStopper Alarm, we appreciate your trust in our product and hope that StarterStopper Alarm will give you peace of mind in providing an extra layer of protection against vehicle theft. The installation of your StarterStopper Alarm is the most important step and will deliver the protection of your vehicle, **the better the install, the safer your vehicle**. It is therefore very important to read the following guide before you begin to install your StarterStopper Alarm. We always recommend a qualified Electrician to install StarterStopper Alarm. It will take a technician approx. 1.5 to 2.5 hours to install.

Decide what Install option you want, how many buttons you want to install (the more buttons, the harder to steal your vehicle). When installing your StarterStopper Alarm, we strongly advice to make sure that all components are well hidden and installed in locations that cannot be easily accessed. A good location to place the StarterStopper ECU (Electronic Control Unit) for example is behind the entertainment/radio, it takes time to access the ECU, time a vehicle thief does not have, so make sure you make it as hard as possible to locate and access any StarterStopper components.

Diagrams:

Select ONE of the installation diagrams in this guide. Diagrams 'A' are used if your car is a Automatic transmission and does not have Stop/Start (engine switches off at red light). 'A' diagram's do not require ignition input to the StarterStopper ECU. Diagrams 'B' are used for Automatic transmission vehicles and Stop/Start. If your car is a manual transmission use diagrams 'C', wire into the fuel pump to ensure a 'push start' is not possible.

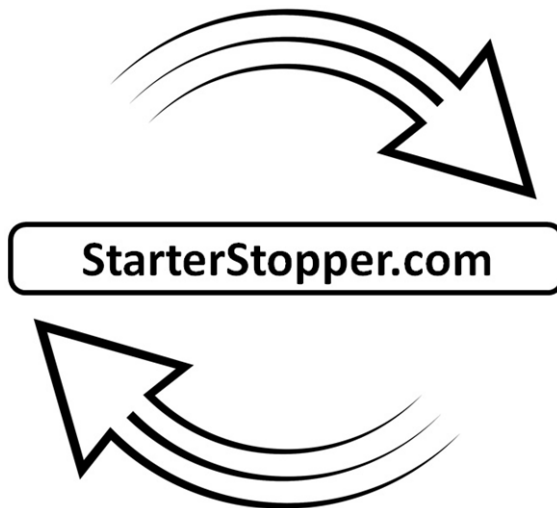
Button(s):

You don't have to use the momentary button(s) provided, you can use any momentary button that can switch more than 200mA. We encourage you to use different buttons to create an even more unique install. Get creative, use a button that even we haven't thought of. As long as it is a 'momentary button that can switch 200mA or more', you can use it.

Cables:

You notice that all cables have a tag that tell you where to connect them. Please remove the Tags after install for safety reasons. In the unlikely event that you find a cable is too short, you can extend it as long as the cable you use matches or exceeds the existing cable:

- The thin cable - AWG24 cable or larger
- The thick cable - AWG10 cable or larger



2 YEAR LIMITED PRODUCT WARRANTY

StarterStopper Pty Ltd warrants that for a period of two (2) years, commencing three (3) weeks after the purchase date, StarterStopper Alarm will be:

- Free from defects in design, material or workmanship that materially impede the functionality, and
- Will conform and perform to the product specifications

The limited product warranty covers replacement of StarterStopper Alarm, providing no external cause was determined. Labour related expenses such as installation/removal of StarterStopper Alarm are excluded.

Any damage to the product caused by external impacts such as:

- Mechanical damage
- Damage due to Incorrectly connected power supply

do not constitute a defect under this limited warranty.

Diagrams A1, A2, A3, A4, A5, A6 are for cars WITH Automatic Transmission and NO Stop/Start system

StarterStopper installation – Step by Step

- Park vehicle in safe, dry and spacious place (to open doors fully).
- Choose one of the install options.
- Disconnect the negative terminal of your battery.
- We recommend not to use crimp connectors! A solid solder connection is preferred for lifespan and conductivity reasons.

INTERIOR

- **StarterStopper ECU:**
 - Find a secure location for the StarterStopper ECU that cannot be easily accessed, e.g., well within the dashboard.
 - Connect wire 'P1' to the 1A Fuse provided and connect the Fuse to permanent battery positive.
 - Connect 'P2' to permanent battery negative point.
 - 'I1' is not used!
 - Feed the cables 'S1' and 'S2' from the interior through the firewall into the engine bay.
- **Button(s):**
 - Find location(s) for your secret button(s), one two or three (as per your choice) Make sure the button(s) are well hidden – the quality of button(s) installation secures your vehicle, so take your time to hide them well.
 - If you need to extend any cables, make sure the cable used is rated 600mA or greater.
- **Finish:**
 - Remember to remove all tags e.g., 'P1' etc from the cables after connection.
 - Rebuild interior.

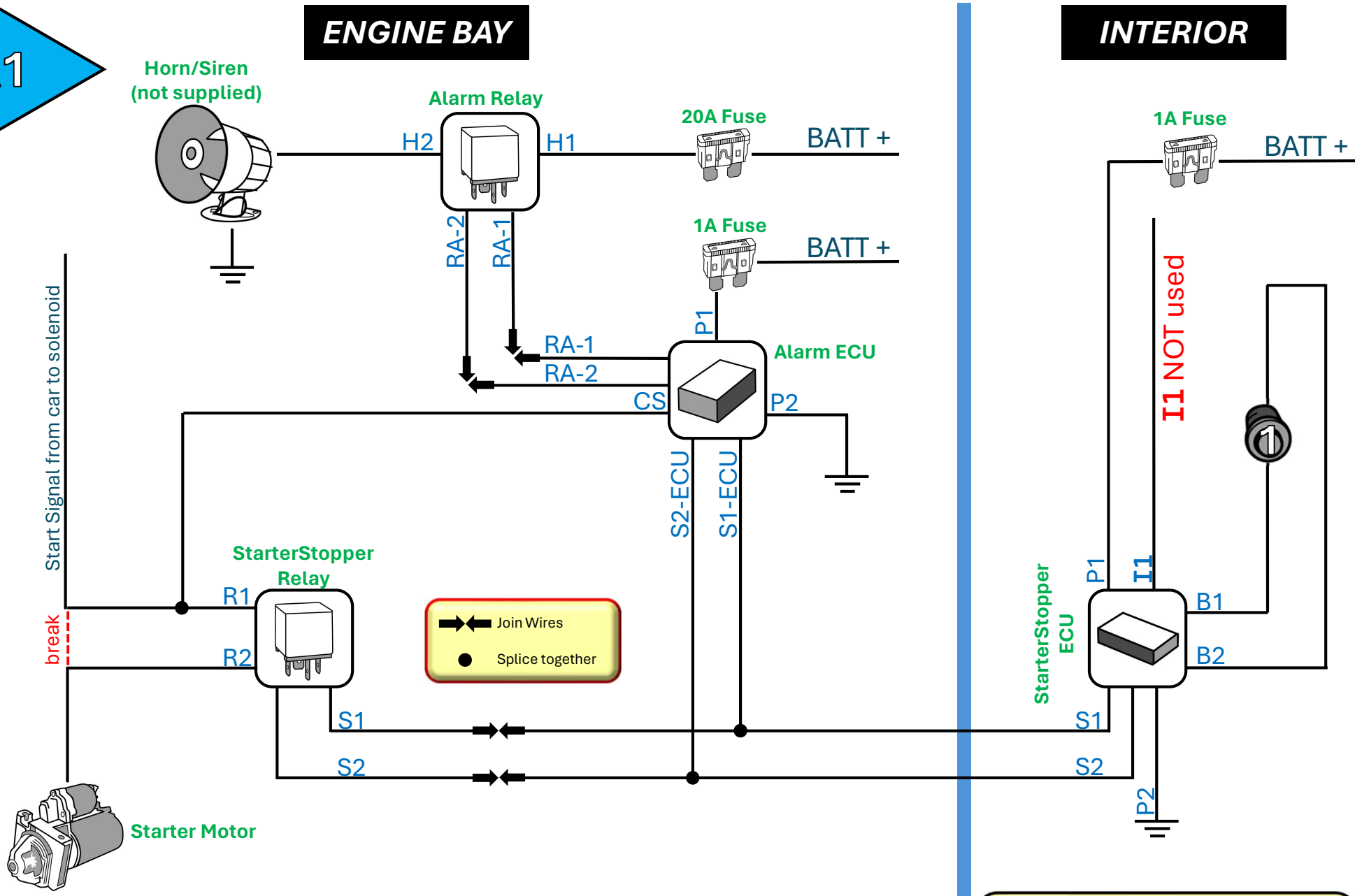
ENGINE BAY

- **StarterStopper Relay:**
 - Find the wire connecting the starter relay and starter motor solenoid.
 - Cut the 'starter relay to starter motor solenoid' wire in a spot that is not visible.
 - Connect the wire coming from the starter relay to 'R1'.
 - Connect the wire going to the starter motor to 'R2'.
 - Find a location for the StarterStopper relay that is hard to find and takes time to access.
 - Join 'S1' from StarterStopper Relay to 'S1' coming from StarterStopper ECU interior.
 - Join 'S2' from StarterStopper Relay to 'S2' coming from StarterStopper ECU interior.
- **Alarm ECU:**
 - Find a secure place for the Alarm ECU.
 - Connect wire 'P1' to the 1A Fuse provided and connect the Fuse to permanent battery positive.
 - Connect 'P2' to permanent battery negative point.
 - Splice 'S1-ECU' into the 'S1' wire.
 - Splice 'S2-ECU' into the 'S2' wire.
 - Connect 'CS' to the start signal from car.
 - Connect 'RA-1' to 'RA-1' from Alarm Relay.
 - Connect 'RA-2' to 'RA-2' from Alarm Relay.
- **Alarm Relay**
 - Connect wire 'H1' to the 20A Fuse provided and connect the Fuse to permanent battery positive.
 - Connect wire 'H2' to the horn/siren
- **Finish**
 - Remember to remove all tags e.g. 'R1' etc from the cables.
 - Rebuild engine bay.
 - Reconnect battery negative terminal.

A1

ENGINE BAY

INTERIOR



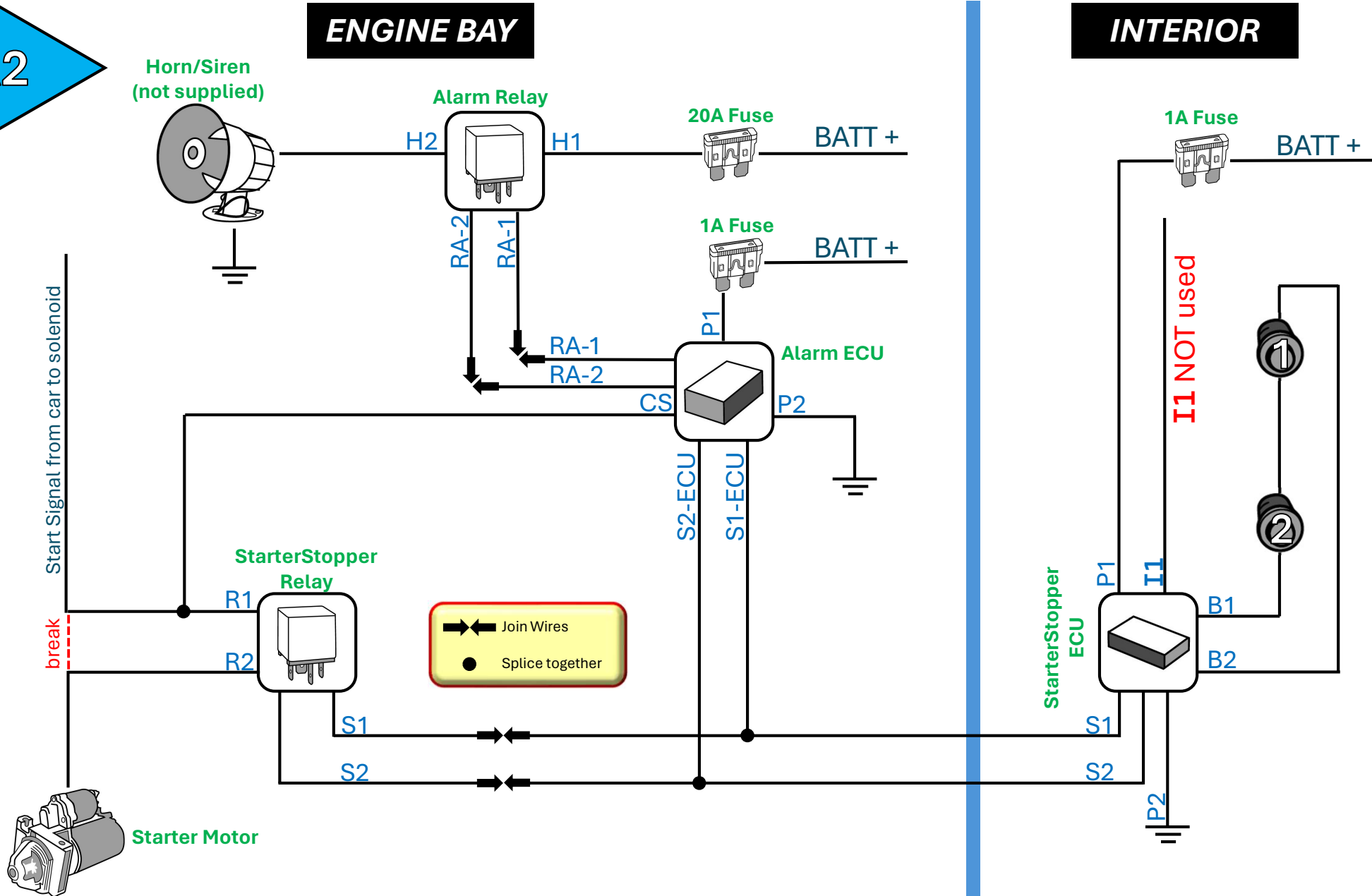
Sequence: Press ONE button (1) momentarily
Start your vehicle

Silent countdown of seven seconds activates if sequence is not entered. Silent countdown can be aborted with sequence. If sequence is not entered within seven seconds, Horn/Alarm activates and only switches off by entering sequence. If no sequence is entered Alarm will switch off after about 30 seconds (legal requirement).

A2

ENGINE BAY

INTERIOR



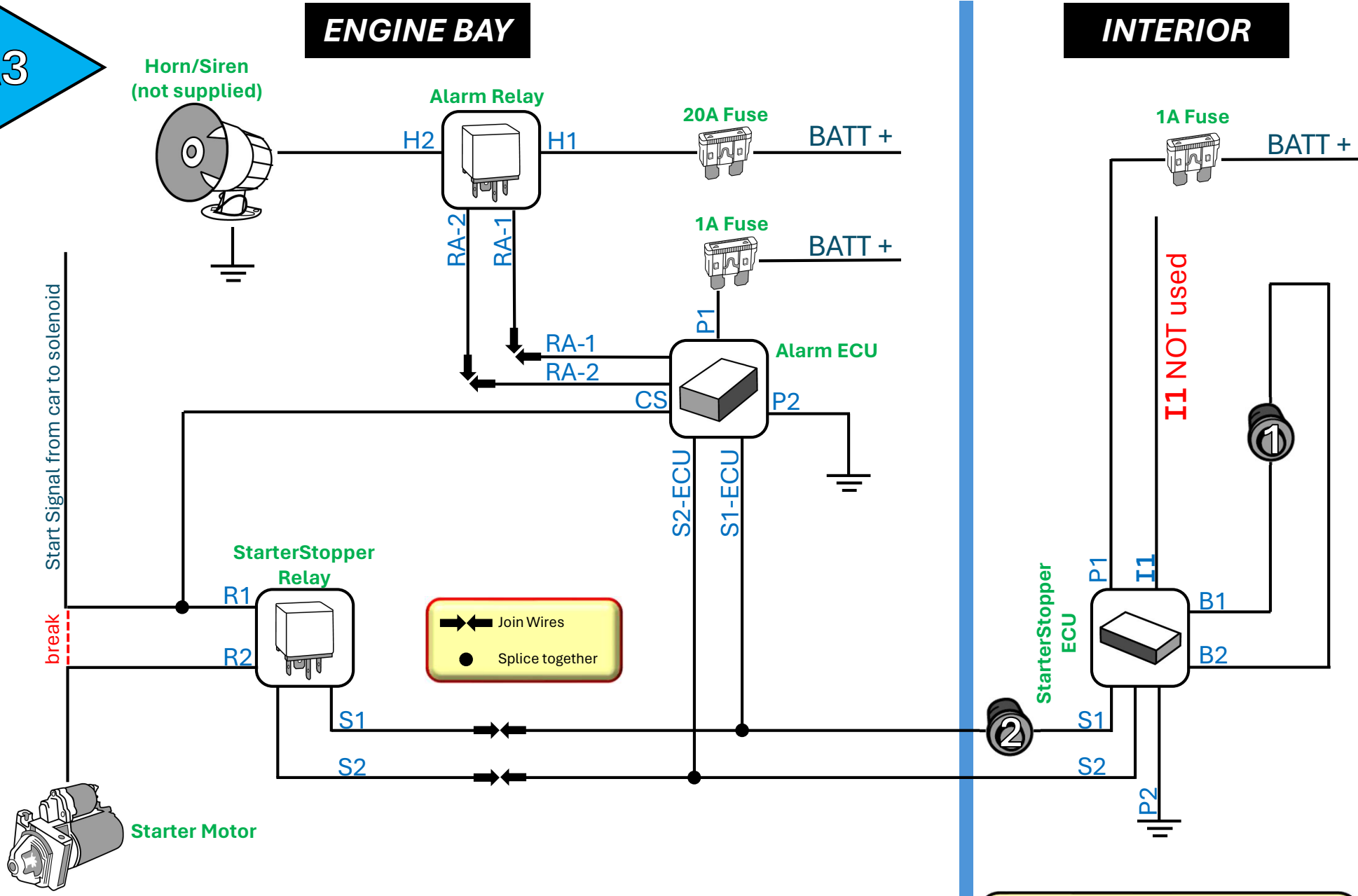
Sequence: Press TWO buttons (1&2) momentarily at the same time
Start your vehicle

Silent countdown of seven seconds activates if sequence is not entered. Silent countdown can be aborted with sequence. If sequence is not entered within seven seconds, Horn/Alarm activates and only switches off by entering sequence. If no sequence is entered Alarm will switch off after about 30 seconds (legal requirement).

A3

ENGINE BAY

INTERIOR



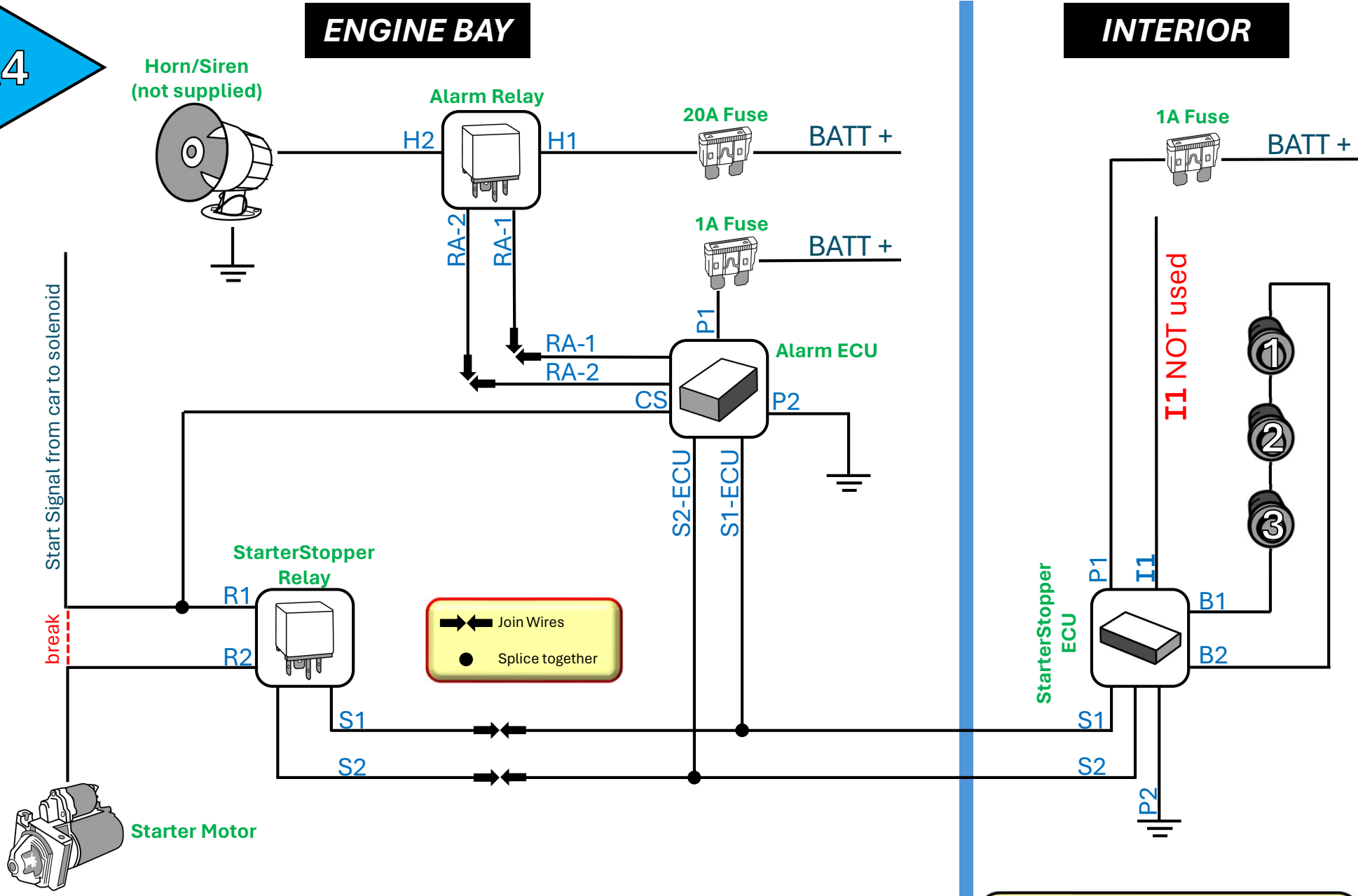
Sequence: Press ONE button (1) momentarily, then press and hold ONE button (2) whilst starting

Silent countdown of seven seconds activates if sequence is not entered. Silent countdown can be aborted with sequence. If sequence is not entered within seven seconds, Horn/Alarm activates and only switches off by entering sequence. If no sequence is entered Alarm will switch off after about 30 seconds (legal requirement).

A4

ENGINE BAY

INTERIOR



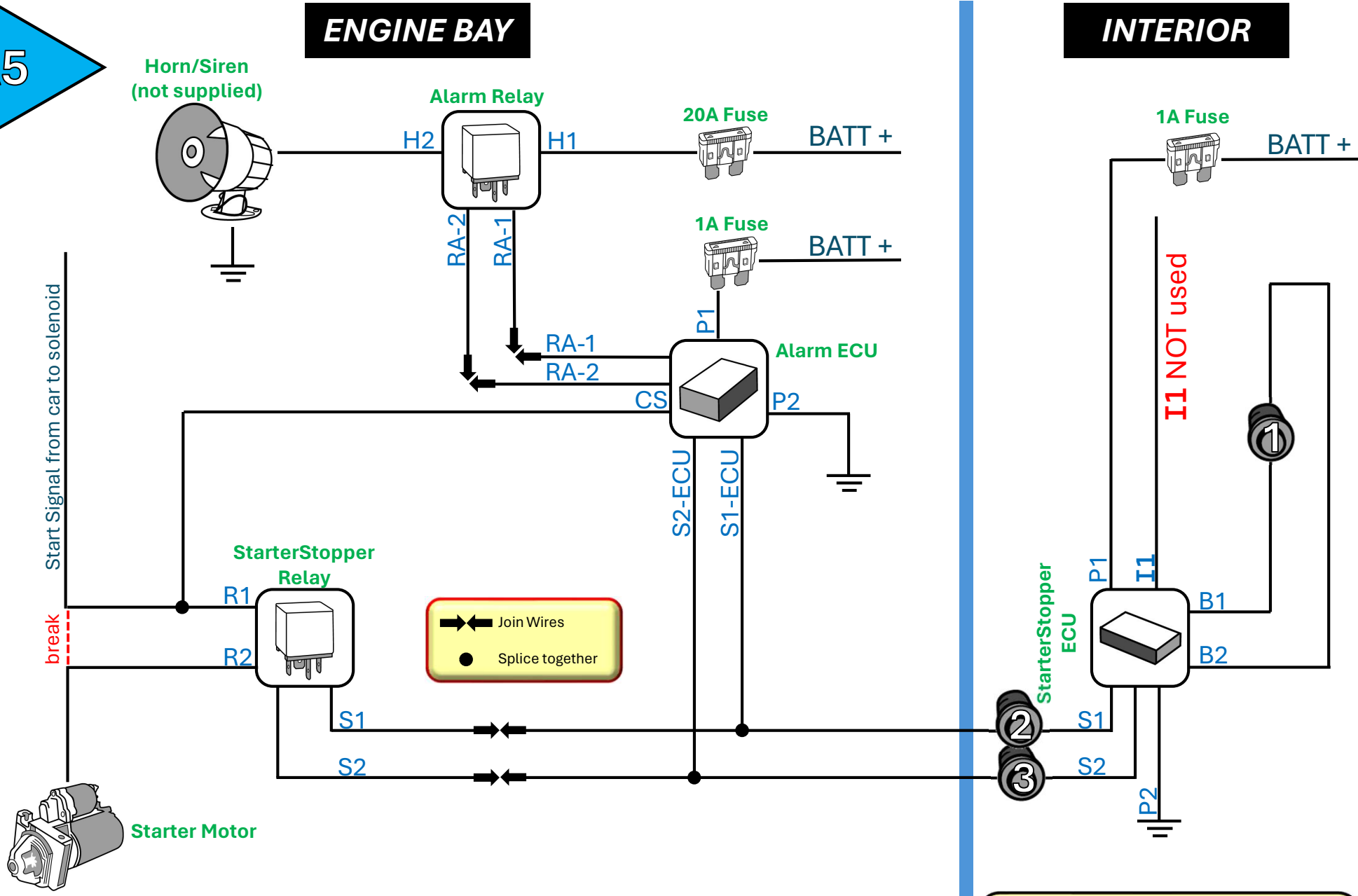
Sequence: Press *THREE* buttons (1 & 2 & 3) momentarily at the same time - Start your vehicle

Silent countdown of seven seconds activates if sequence is not entered. Silent countdown can be aborted with sequence. If sequence is not entered within seven seconds, Horn/Alarm activates and only switches off by entering sequence. If no sequence is entered Alarm will switch off after about 30 seconds (legal requirement).

A5

ENGINE BAY

INTERIOR



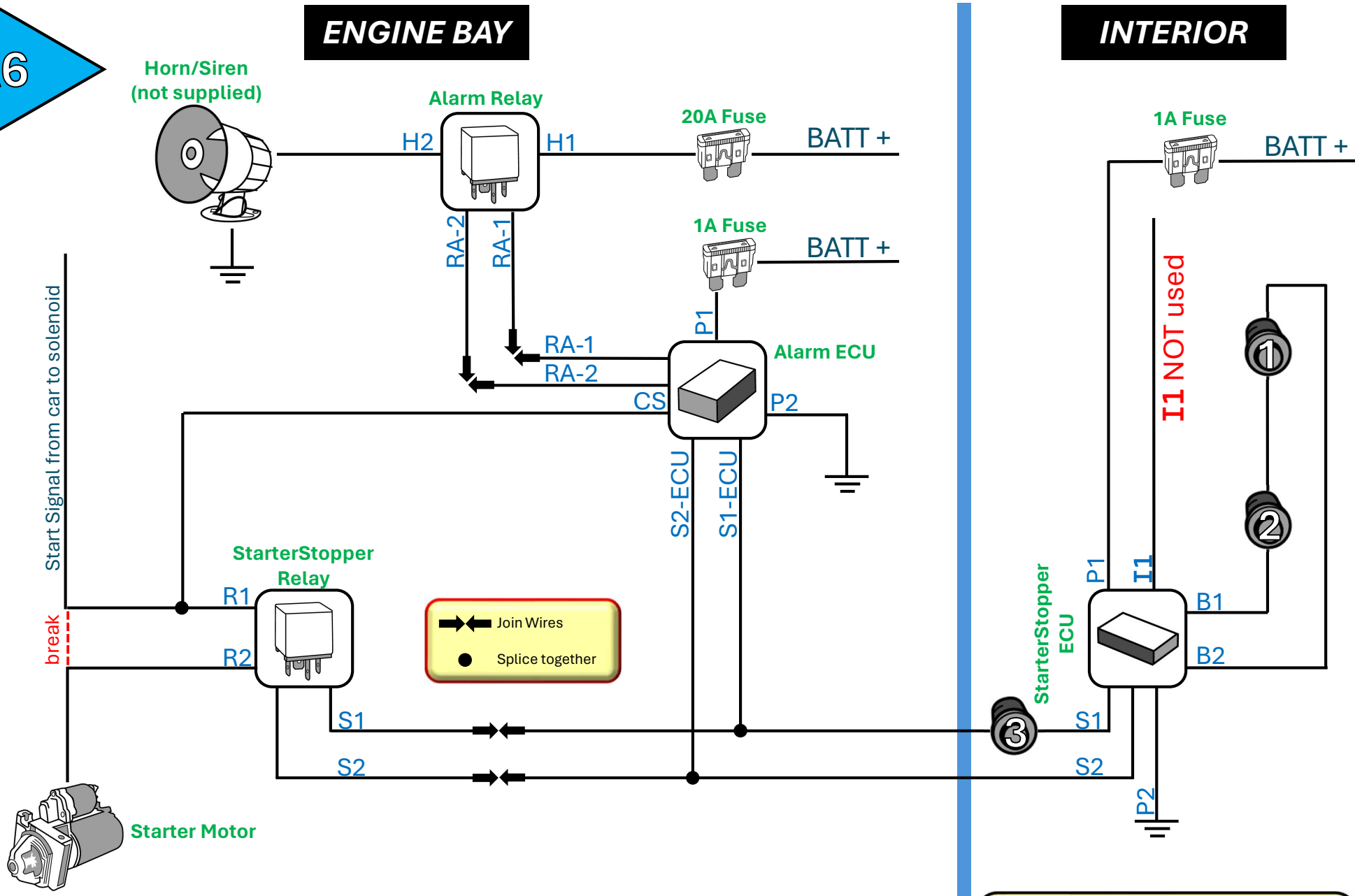
Sequence: Press ONE button (1) momentarily, then press and hold TWO buttons (2&3) whilst starting

Silent countdown of seven seconds activates if sequence is not entered. Silent countdown can be aborted with sequence. If sequence is not entered within seven seconds, Horn/Alarm activates and only switches off by entering sequence. If no sequence is entered Alarm will switch off after about 30 seconds (legal requirement).

A6

ENGINE BAY

INTERIOR



Sequence: Press TWO buttons (1 & 2) momentarily, then press and hold ONE button (3) whilst starting

Silent countdown of seven seconds activates if sequence is not entered. Silent countdown can be aborted with sequence. If sequence is not entered within seven seconds, Horn/Alarm activates and only switches off by entering sequence. If no sequence is entered Alarm will switch off after about 30 seconds (legal requirement).

Diagrams B1, B2, B3 are for cars WITH Automatic Transmission and WITH Stop/Start system

StarterStopper installation – Step by Step

- Park vehicle in safe, dry and spacious place (to open doors fully).
- Choose one of the install options.
- Disconnect the negative terminal of your battery.
- We recommend not to use crimp connectors! A solid solder connection is preferred for lifespan and conductivity reasons.

INTERIOR

- **StarterStopper ECU:**
 - Find a secure location for the StarterStopper ECU that cannot be easily accessed, e.g., well within the dashboard.
 - Connect wire 'P1' to the 1A Fuse provided and connect the Fuse to permanent battery positive.
 - Connect 'P2' to permanent battery negative point.
 - Connect 'I1' to ignition/Accessories.
 - Feed the cables 'S1' and 'S2' from the interior through the firewall into the engine bay.
- **Button(s):**
 - Find location(s) for your secret button(s), one two or three (as per your choice) Make sure the button(s) are well hidden – the quality of button(s) installation secures your vehicle, so take your time to hide them well.
 - If you need to extend any cables, make sure the cable used is rated 600mA or greater.
- **Finish:**
 - Remember to remove all tags e.g., 'P1' etc from the cables after connection.
 - Rebuild interior.

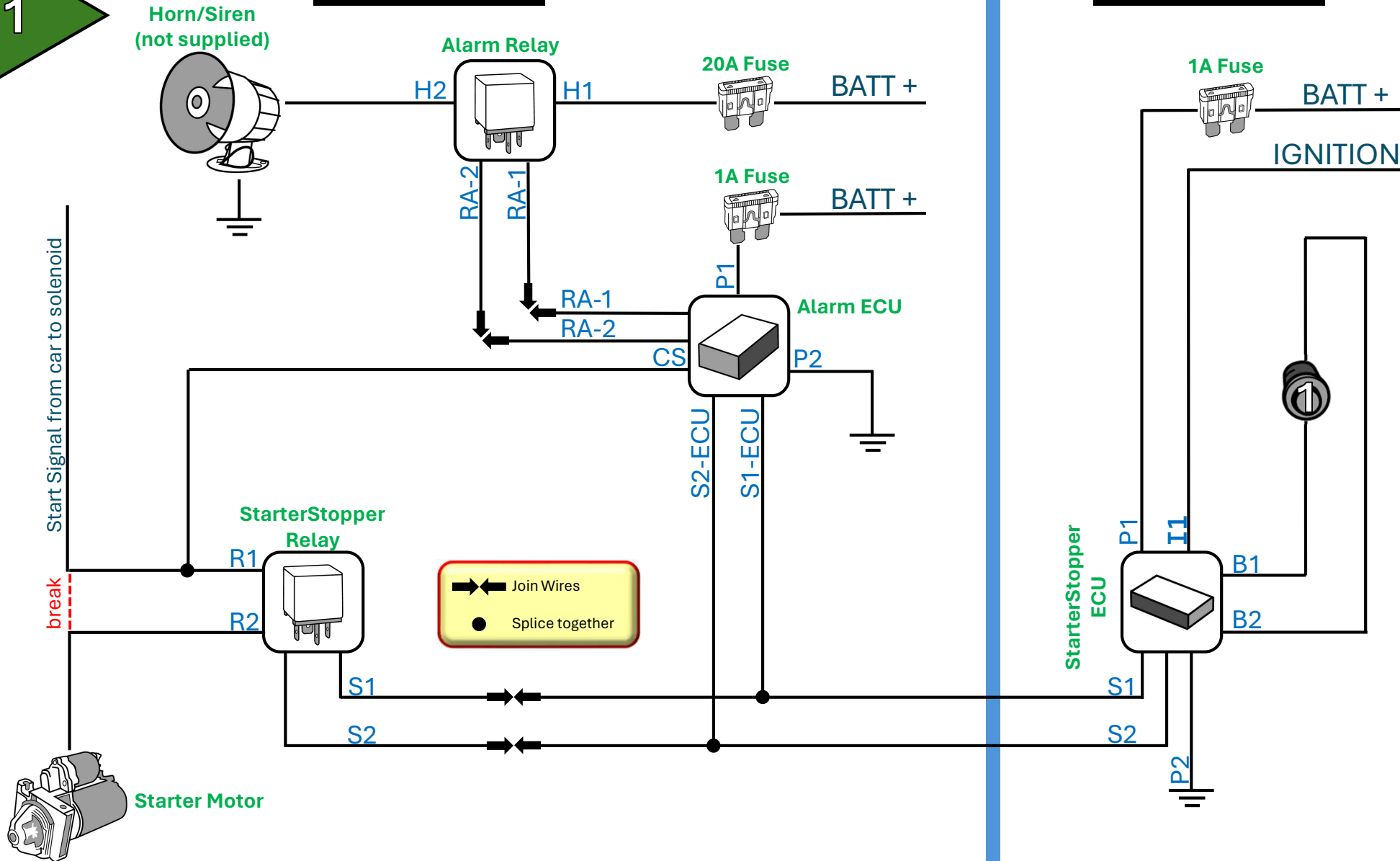
ENGINE BAY

- **StarterStopper Relay:**
 - Find the wire connecting the starter relay and starter motor solenoid.
 - Cut the 'starter relay to starter motor solenoid' wire in a spot that is not visible.
 - Connect the wire coming from the starter relay to 'R1'.
 - Connect the wire going to the starter motor to 'R2'.
 - Find a location for the StarterStopper relay that is hard to find and takes time to access.
 - Join 'S1' from StarterStopper Relay to 'S1' coming from StarterStopper ECU interior.
 - Join 'S2' from StarterStopper Relay to 'S2' coming from StarterStopper ECU interior.
- **Alarm ECU:**
 - Find a secure place for the Alarm ECU.
 - Connect wire 'P1' to the 1A Fuse provided and connect the Fuse to permanent battery positive.
 - Connect 'P2' to permanent battery negative point.
 - Splice 'S1-ECU' into the 'S1' wire.
 - Splice 'S2-ECU' into the 'S2' wire.
 - Connect 'CS' to the start signal from car.
 - Connect 'RA-1' to 'RA-1' from Alarm Relay.
 - Connect 'RA-2' to 'RA-2' from Alarm Relay.
- **Alarm Relay**
 - Connect wire 'H1' to the 20A Fuse provided and connect the Fuse to permanent battery positive.
 - Connect wire 'H2' to the horn/siren
- **Finish**
 - Remember to remove all tags e.g. 'R1' etc from the cables.
 - Rebuild engine bay.
 - Reconnect battery negative terminal.

B1

ENGINE BAY

INTERIOR



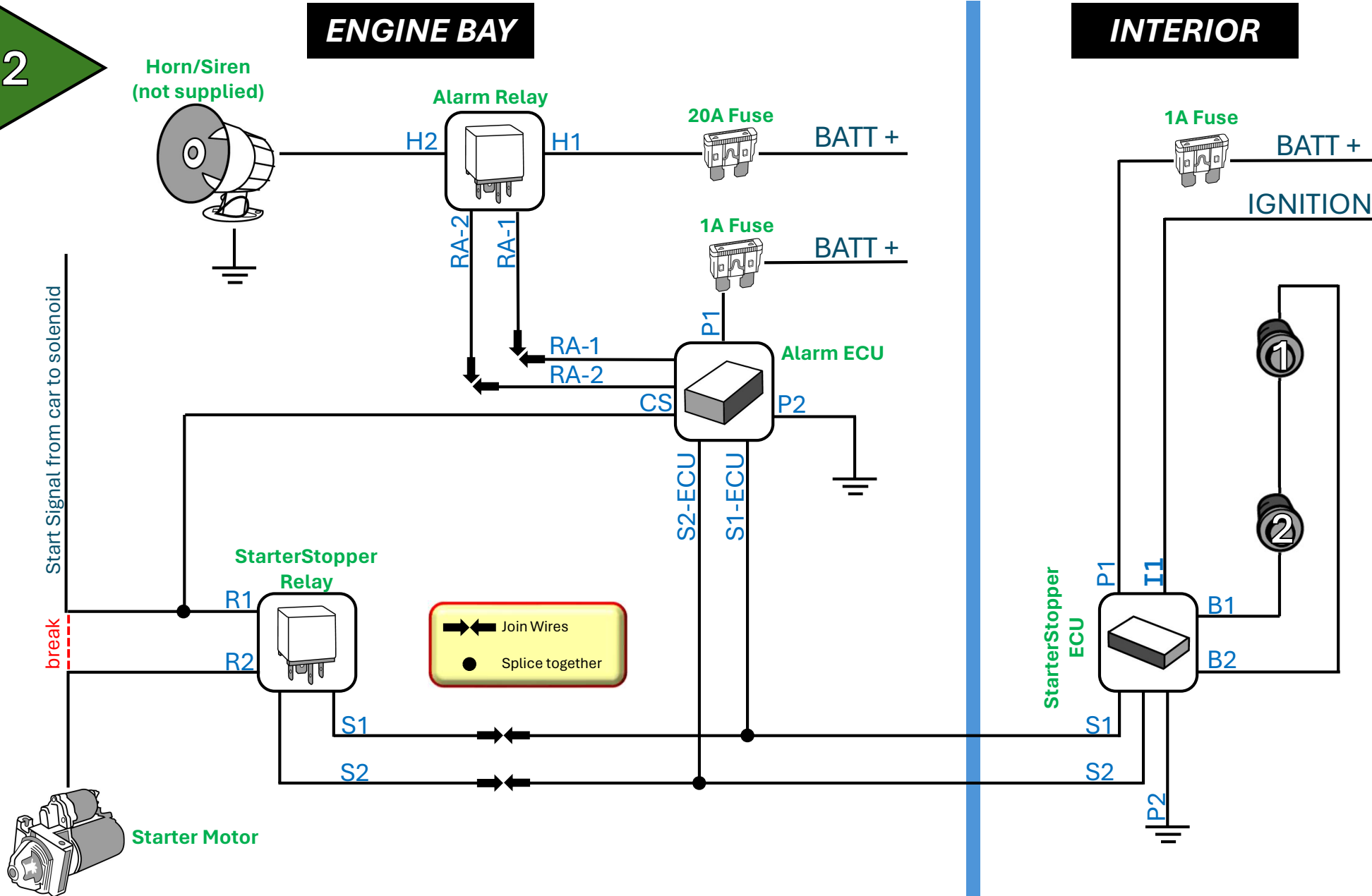
Sequence: Press ONE button (1) momentarily
Start your vehicle

Silent countdown of seven seconds activates if sequence is not entered. Silent countdown can be aborted with sequence. If sequence is not entered within seven seconds, Horn/Alarm activates and only switches off by entering sequence. If no sequence is entered Alarm will switch off after about 30 seconds (legal requirement).

B2

ENGINE BAY

INTERIOR



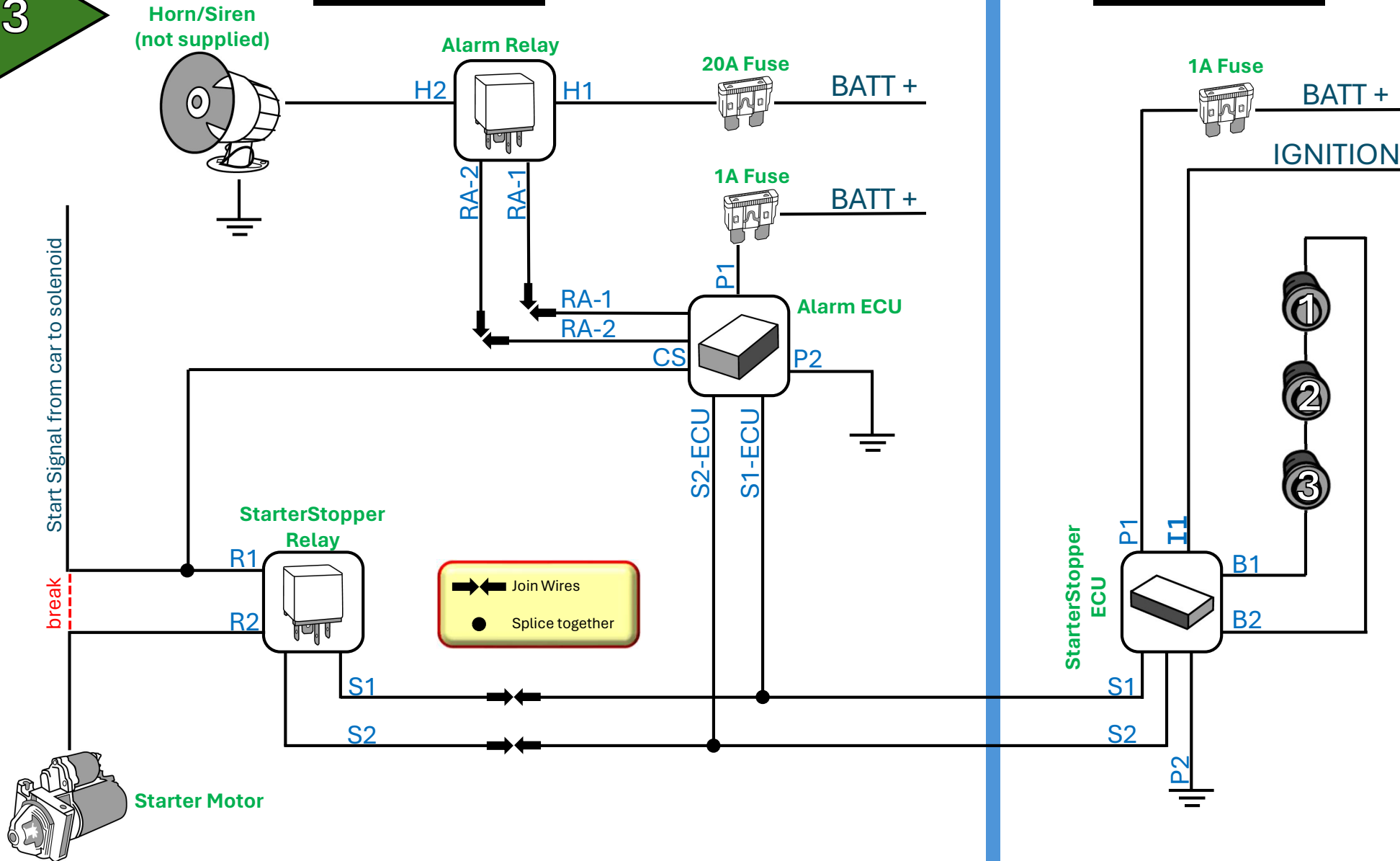
Sequence: Press TWO buttons (1 & 2) momentarily at the same time
Start your vehicle

Silent countdown of seven seconds activates if sequence is not entered. Silent countdown can be aborted with sequence. If sequence is not entered within seven seconds, Horn/Alarm activates and only switches off by entering sequence. If no sequence is entered Alarm will switch off after about 30 seconds (legal requirement).

B3

ENGINE BAY

INTERIOR



Sequence: Press *THREE* buttons (1 & 2 & 3) momentarily at the same time - Start your vehicle

Silent countdown of seven seconds activates if sequence is not entered. Silent countdown can be aborted with sequence. If sequence is not entered within seven seconds, Horn/Alarm activates and only switches off by entering sequence. If no sequence is entered Alarm will switch off after about 30 seconds (legal requirement).

Diagrams C1, C2, C3 are for cars WITH Manual Transmission

StarterStopper installation – Step by Step

- Park vehicle in safe, dry and spacious place (to open doors fully).
- Choose one of the install options.
- Disconnect the negative terminal of your battery.
- We recommend not to use crimp connectors! A solid solder connection is preferred for lifespan and conductivity reasons.

INTERIOR

- **StarterStopper ECU:**
 - Find a secure location for the StarterStopper ECU that cannot be easily accessed, e.g., well within the dashboard.
 - Connect wire 'P1' to the 1A Fuse provided and connect the Fuse to permanent battery positive.
 - Connect 'P2' to permanent battery negative point.
 - Connect 'I1' to ignition/Accessories.
 - Feed the cables 'S1' and 'S2' from the interior through the firewall into the engine bay.
- **Button(s):**
 - Find location(s) for your secret button(s), one two or three (as per your choice) Make sure the button(s) are well hidden – the quality of button(s) installation secures your vehicle, so take your time to hide them well.
 - If you need to extend any cables, make sure the cable used is rated 600mA or greater.
- **Finish:**
 - Remember to remove all tags e.g., 'P1' etc from the cables after connection.
 - Rebuild interior.

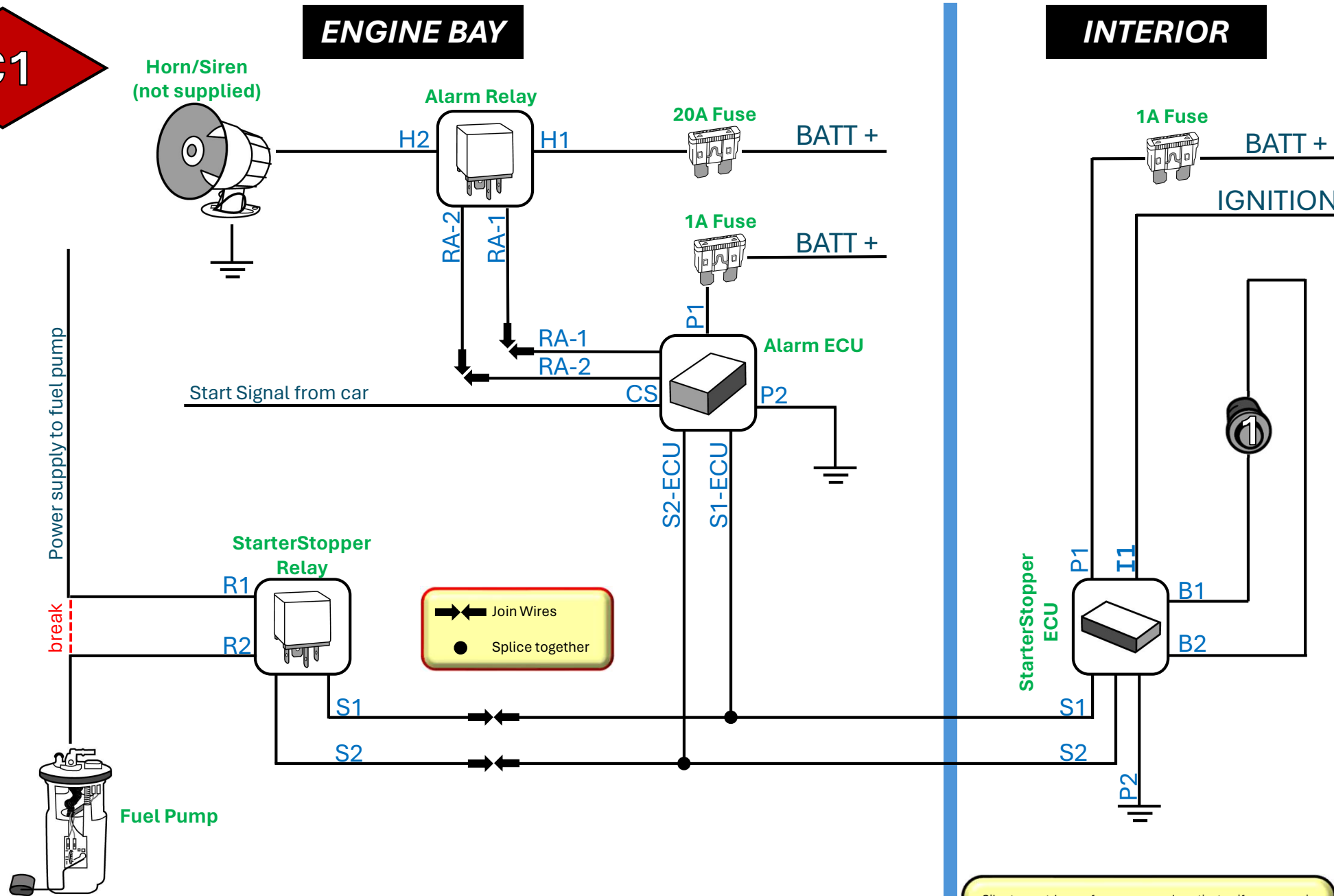
ENGINE BAY

- **StarterStopper Relay:**
 - Find the wire connecting the starter relay and starter motor solenoid.
 - Cut the 'Power supply fuel pump' wire in a spot that is not visible.
 - Connect the wire coming from the pump relay to 'R1'.
 - Connect the wire going to the fuel pump to 'R2'.
 - Find a location for the StarterStopper relay that is hard to find and takes time to access.
 - Join 'S1' from StarterStopper Relay to 'S1' coming from StarterStopper ECU interior.
 - Join 'S2' from StarterStopper Relay to 'S2' coming from StarterStopper ECU interior.
- **Alarm ECU:**
 - Find a secure place for the Alarm ECU.
 - Connect wire 'P1' to the 1A Fuse provided and connect the Fuse to permanent battery positive.
 - Connect 'P2' to permanent battery negative point.
 - Splice 'S1-ECU' into the 'S1' wire.
 - Splice 'S2-ECU' into the 'S2' wire.
 - Connect 'CS' to the start signal from car.
 - Connect 'RA-1' to 'RA-1' from Alarm Relay.
 - Connect 'RA-2' to 'RA-2' from Alarm Relay.
- **Alarm Relay**
 - Connect wire 'H1' to the 20A Fuse provided and connect the Fuse to permanent battery positive.
 - Connect wire 'H2' to the horn/siren
- **Finish**
 - Remember to remove all tags e.g. 'R1' etc from the cables.
 - Rebuild engine bay.
 - Reconnect battery negative terminal.



ENGINE BAY

INTERIOR



Join Wires
 Splice together

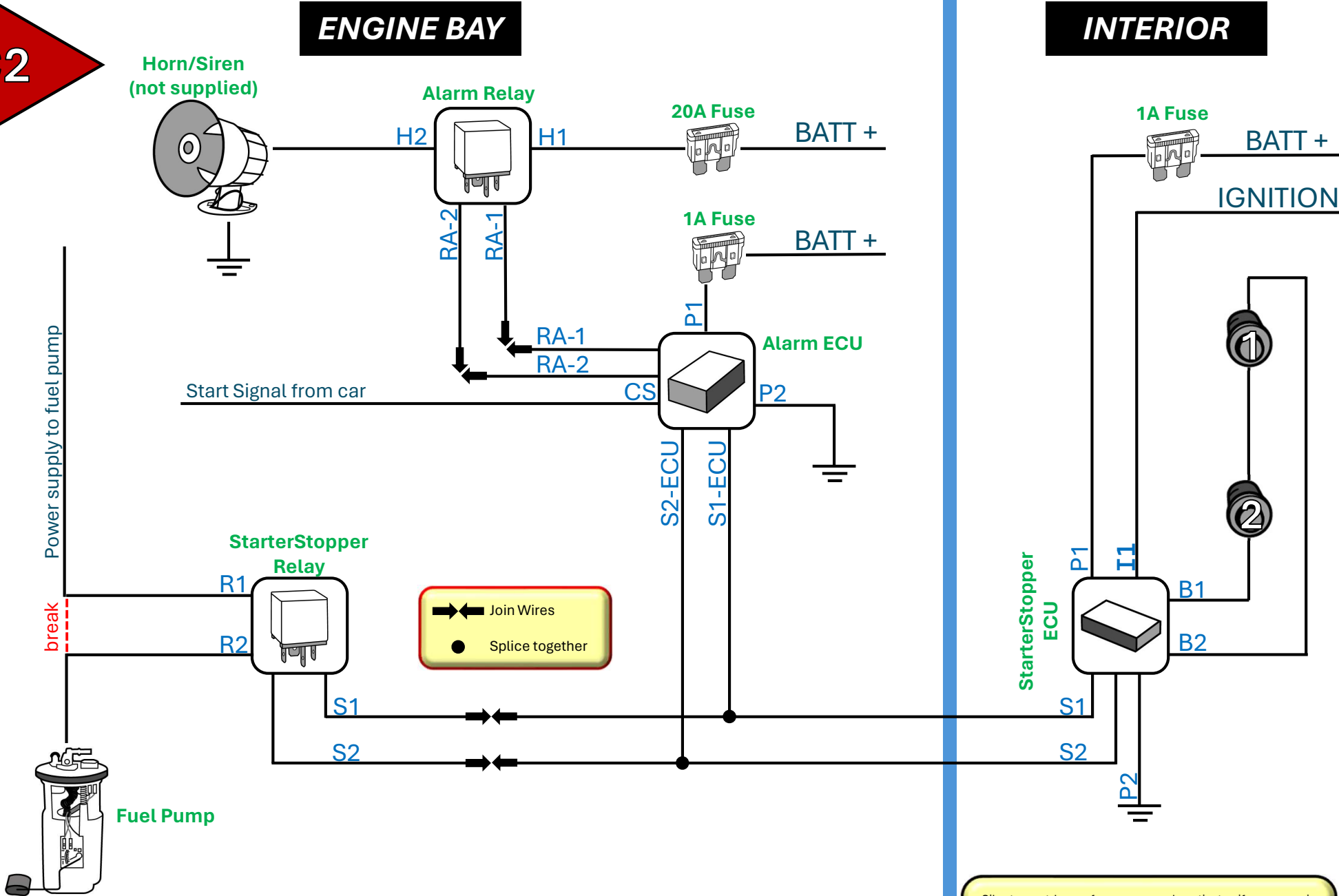
Sequence: Press ONE button (1) momentarily
Start your vehicle

Silent countdown of seven seconds activates if sequence is not entered. Silent countdown can be aborted with sequence. If sequence is not entered within seven seconds, Horn/Alarm activates and only switches off by entering sequence. If no sequence is entered Alarm will switch off after about 30 seconds (legal requirement).



ENGINE BAY

INTERIOR



Join Wires
 Splice together

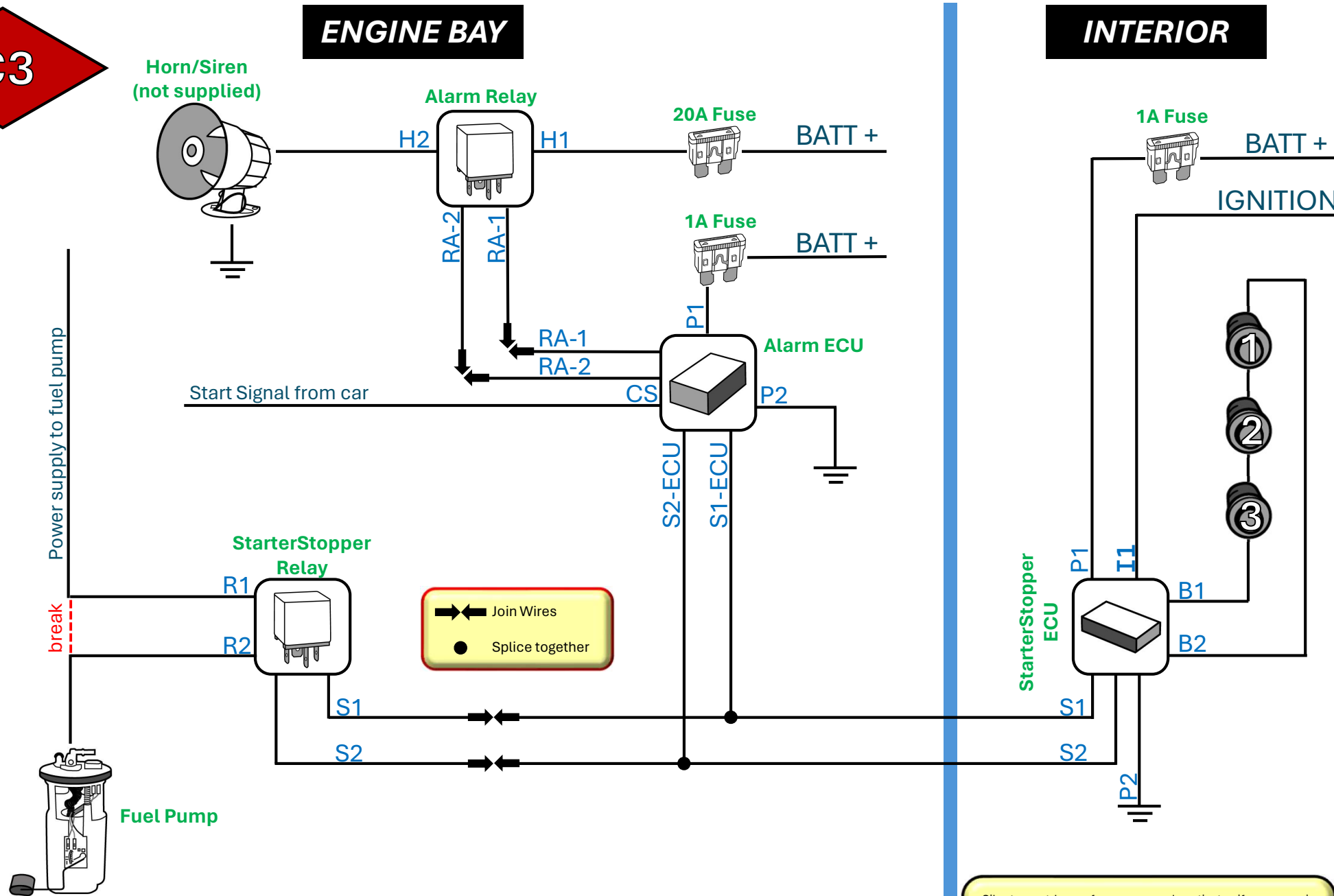
Sequence: Press TWO buttons (1 & 2) momentarily at the same time
 Start your vehicle

Silent countdown of seven seconds activates if sequence is not entered. Silent countdown can be aborted with sequence. If sequence is not entered within seven seconds, Horn/Alarm activates and only switches off by entering sequence. If no sequence is entered Alarm will switch off after about 30 seconds (legal requirement).



ENGINE BAY

INTERIOR



Sequence: Press *THREE* buttons (1 & 2 & 3) momentarily at the same time Start your vehicle

Silent countdown of seven seconds activates if sequence is not entered. Silent countdown can be aborted with sequence. If sequence is not entered within seven seconds, Horn/Alarm activates and only switches off by entering sequence. If no sequence is entered Alarm will switch off after about 30 seconds (legal requirement).

StarterStopper Pty Ltd

Phone/Whatsapp +61 (0)448 248 189

ACN 657 159 343

ABN 12 657 159 343

Po Box 4712 Cairns

Queensland 4870

AUSTRALIA