

low cost diffused silicon 4-20ma lcd display pressure transmitter 0 10bar water fuel pressure sensor



CE RoHS ISO 9001 FC

- ◆ In: -0.1~0~100Mpa
- ◆ Out: 4~20mA
- ◆ PWR: DC12~36V
- ◆ Thread: M20*1.5

For Water/Oil/Gas/Liquid

LCD Pressure Transmitter



low cost diffused silicon 4-20ma lcd display pressure transmitter 0 10bar water fuel pressure sensor

This link is special for:

1. Measuring range: the one you choose
2. Output signal: 4~20mA

3. Power supply: DC24V

4. Connection thread: M20*1.5

Notes:

What we can make:

1. Available measuring range: any range within -0.1Mpa~0~100Mpa (-1bar~0~1000bar).

2. Available output signal: 4~20mA, 0-10V, 0-5V, 0.5~4.5V, RS485.

3. Available power supply: 12~30Vdc, 24Vdc, 12Vdc

4. Available thread: M20*1.5, G1/2, G1/4, NPT1/2, NPT1/4, etc

So: if you need other parameters, please contact me.

And tell me the measuring range, output signal, power supply, thread size.

We can make special customization for you.

Product Description



Pressure Transmitter

-0.1~0~100MPa

- ✓ Diffused silicon core
- ✓ Real-time display
- ✓ Strong impact resistance



1>>. 2088 pressure transmitter used sensitive & high performance diffusion silicon piezoresistive chip.

2>>. The internal circuit board converts the pressure signal into standard analog signal,users can directly connect the transmitter with computer interface card,control instrument,intelligent instrument or PLC.

3>>. This pressure transmitter has many good features,small volume,light weight,easy to install,all stainless steel sealing structure,high anti-vibration and anti-impact performance.

4>>. This pressure transmitter is widely used in process control, aviation, aerospace, automobile, medical equipment and many other fields.

Technical Specifications



Product Parameters

Product name	2088 pressure transmitter
Pressure range	-0.1~0~100Mpa
Output signal	4~20mA, 0~5V, 0~10V, RS485
Power supply	12~36Vdc(24Vdc)
Accuracy	0.5%FS(default), 0.2%FS
Response time	≤10mS
Overload capacity	150%FS
Compensation temp.	-10~70°C
Ambient temp.	-40~85°C
Long term stability	±0.2%FS/year
Zero temp. drift	±0.5%FS/°C
Sensitivity temp. drift	±0.5%FS
Mechanical vibration	20g(20~5000Hz)
Sampling time	20 times/second
Insulation	≤500MΩ
Protection grade	IP65
Compatible media	Various media compatible with SS316

Product Features



Product Features

● High Quality & Safe Structure

Inside electronic circuit is completely isolated from the external environment, effectively reduce the impact of dust, water vapor and other factors on pressure measurement.



● Real-time Display

5 digits LCD display, real-time measurement of pressure data display, clearer & easier to read the pressure value.





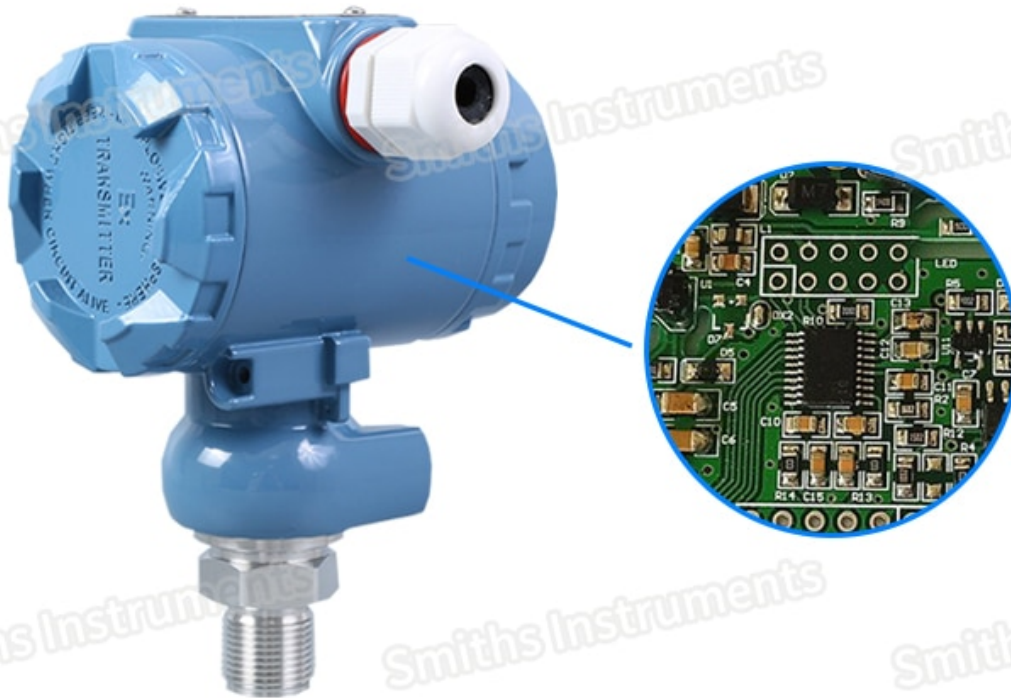
● Imported Diffusion Silicon Chip

Using imported diffusion silicon chip,
high precision, instantaneous response & good stability.



● Multiple Circuit Protection

Strong anti-interference ability, anti impact damping, suitable for kinds of harsh environmental conditions.



● 3mm Impulse Hole, Buffer Damping Design

Resist **2-3 times** of instantaneous pressure impact, effectively reduce the impact on the internal diaphragm.



● Customized Process Thread

Customized thread according to users requirements,
M20*1.5, G1/2, G1/4, NPT1/4 available.



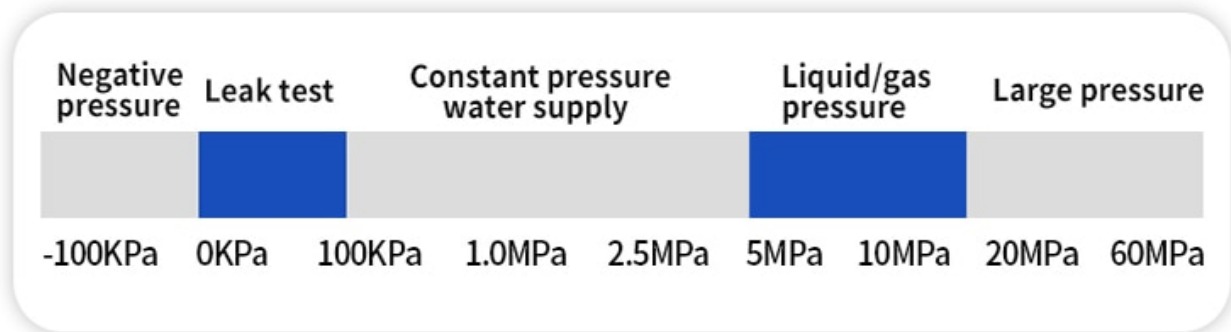
Product Selection



Product Selection

Model	ELPT400-T3		
Pressure range	-0.1~0~100MPa		
Output signal	O1:4~20mA	O2:0~5Vdc	O3:0~10Vdc O4:RS485
Power supply	P1:DC24V P2:DC12V		
Interface thread	T1: M20*1.5	T2:G1/4	T3:NPT1/4
ELPT400-T3	2Mpa	O1	P1 T1
eg: ELPT400-T3, pressure range 2Mpa,output 4-20mA, power supply DC24V,thread M20*1.5			

Pressure range confirmation



Pressure range table

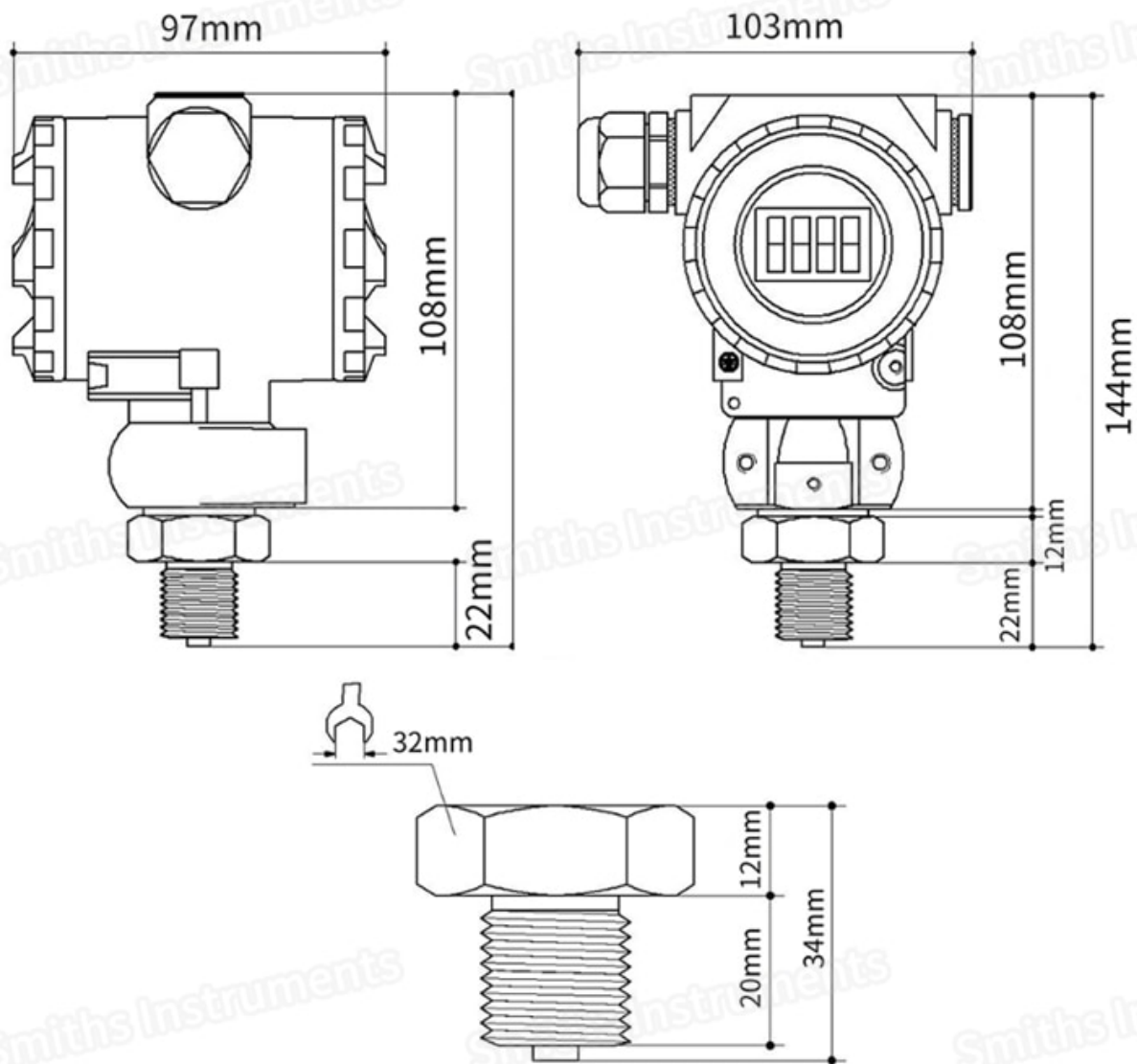
Code	Range	Code	Range	Code	Range	Code	Range
W1	0~1kPa	W2	0~2kPa	W3	0~3kPa	W4	0~4kPa
W5	0~6kPa	W6	0~10kPa	W7	0~16kPa	W48	0~20kPa
W9	0~25kPa	W10	0~40kPa	W11	0~60kPa	W12	0~100kPa
W13	0~0.16MPa	W14	0~0.25MPa	W15	0~0.4MPa	W16	0~0.6MPa
W17	0~1.0MPa	W18	0~1.6MPa	W19	0~2.5MPa	W20	0~4MPa
W21	0~6MPa	W22	0~10MPa	W23	0~16MPa	W24	0~25MPa
W25	0~40MPa	W26	0~60MPa	W27	0~100MPa	W28	0~-100kPa
W29	-100~100kPa	W30	-100~300kPa				

Thread size table

Code	Thread	Code	Thread	Code	Thread	Code	Thread
F1	M8X1	F2	M10X1	F3	M12X1	F4	M12X1.25
F5	M12X1.5	F6	M14X1.5	F7	M16X1.5	F8	M18X1.5
F9	M20X1.5	F10	M22X1.5	F11	M24X1.5	F12	M27X1.5
F13	M33X2	F14	M42X1.5	F15		F16	
F17	G1/8	F18	G1/4	F19	G3/8	F20	G1/2
F21	G3/4	F22	G1'	F23	G1/4(female)	F24	
F25	NPT1/8	F26	NPT1/4	F27	NPT3/8	F28	NPT1/2
F29	NPT3/4	F30	NPT1/4(female)	F31		F32	
F33	PT1/8	F34	PT1/4	F35	PT3/8	F36	PT1/2



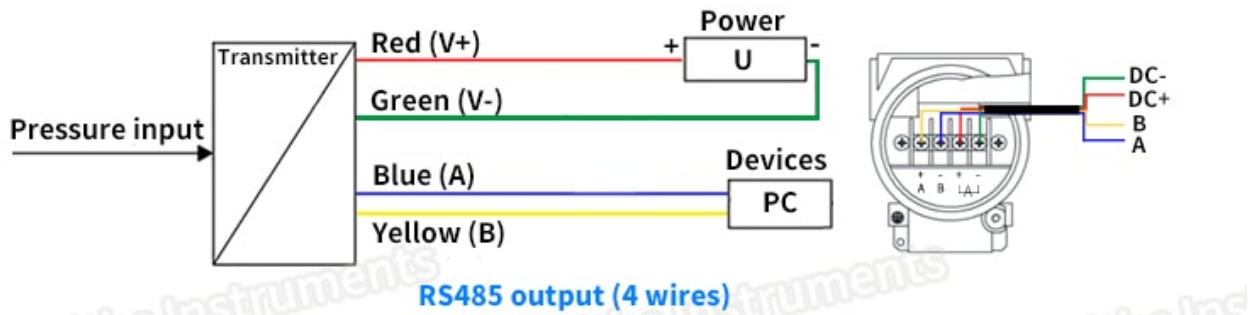
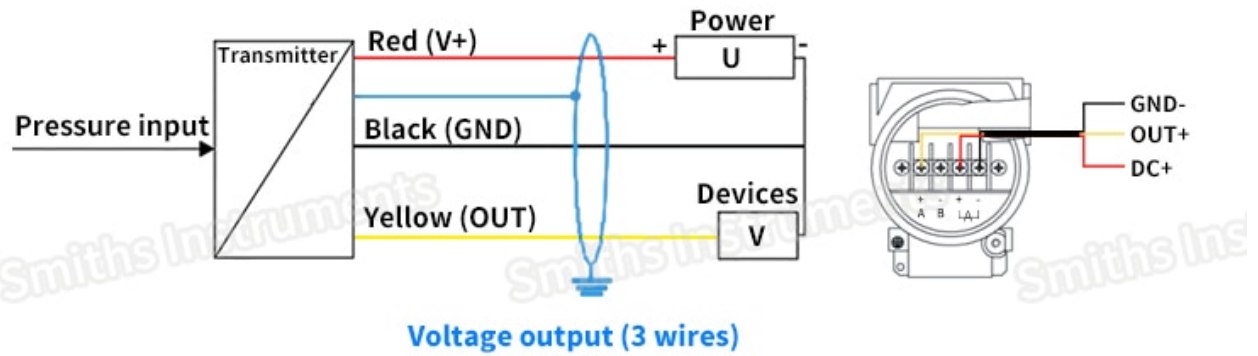
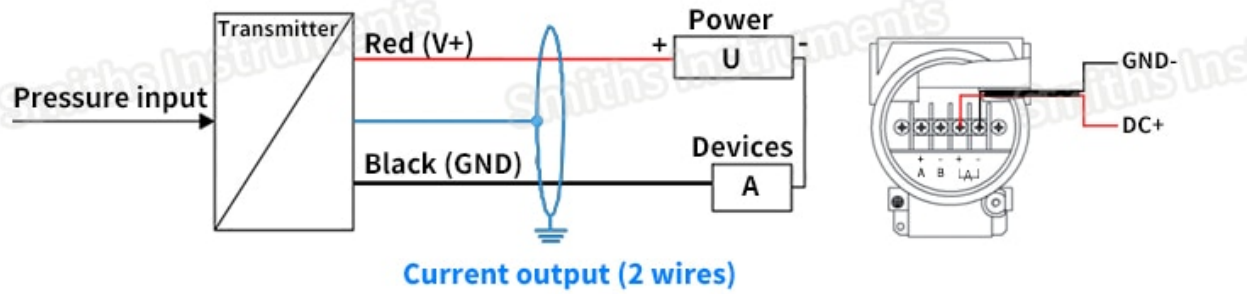
Product Dimension



Product Wiring Diagram



Wiring Diagram



Product Application



Product Application



Constant pressure water supply



Heat dissipation & ventilation

Chemical automatic control



Real Product Pictures



