

0-10v Silicon Submersible Sewage Dirty Water Level Sensor Rain Water Pressure Level Transmitter for Septic Tank Deep Well

 aliexpress.com/item/3256804347604513.html



◆ IN: 0~0.5~500 m

◆ OUT: 0~10V dc

◆ PWR: DC12~24V



Anti clogging liquid level transmitter

Product Description



Level Transmitter

Anti clogging liquid level transmitter

- ✓ Diffused silicon core
- ✓ Anti-overload, anti-shock
- ✓ Strong anti-interference ability



1>>. Anti clogging submersible water level sensor adopt imported diffused silicon sensor, it has a high stability and high accuracy.

2>>. Anti clogging water level sensor has a strong anti-clogging protective filter probe, can filter kinds of impurity particulate matter in measured liquids, effectively protect the sensor and circuit board inside the probe.

3>>. This level sensor is made of all stainless steel housing, the welded housing is tested in-house via a helium leak tester to ensure proper protection. Ventilation tube in the cable automatically compensates for changes in atmospheric pressure above the water tank.

Technical Specifications



Product Parameters

Product name	Anti clogging liquid level transmitter
Measuring range	0~0.5~500 metres
Output signal	4~20mA, 0~5V, 0~10V, 0.5~4.5V, RS485
Power supply	12~36Vdc(24Vdc)
Accuracy	0.5%FS(default), 0.2%FS
Response time	≤10mS
Overload capacity	150%FS
Compensation temp.	-10~70°C
Ambient temp.	-40~85°C
Long term stability	±0.2%FS/year
Zero temp. drift	±0.5%FS/°C
Sensitivity temp. drift	±0.5%FS
Mechanical vibration	20g(20~5000Hz)
Sampling time	20 times/second
Insulation	≤500MΩ
Protection grade	IP65
Compatible media	Various media compatible with SS316

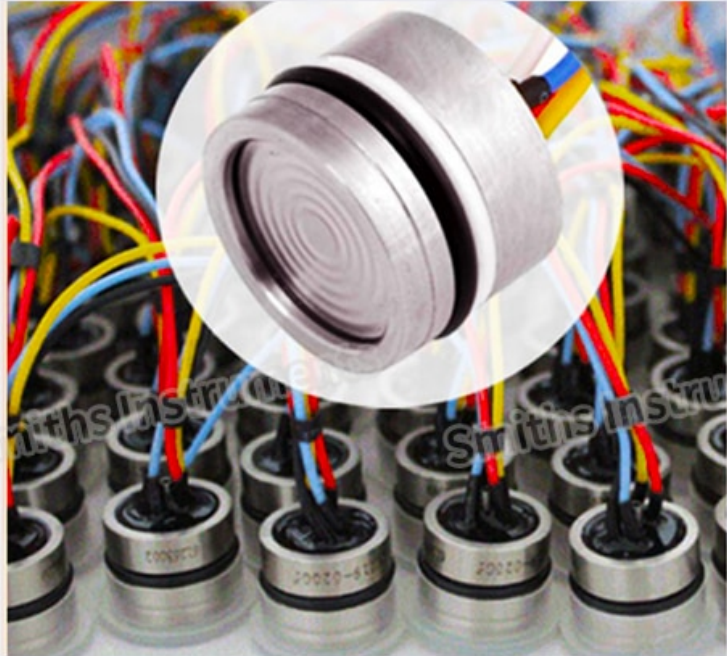
Product Features



Product Features

Imported diffused silicon core

Imported diffused silicon core ensure the sensor with high stability & high accuracy.



Strong anti-clogging filter probe

Protective filter can filter kinds of impurity particulate matter in measured liquids, effectively reduce blockage.



Ventilation tube in polyurethane cable

Connect with atmosphere, to offset the atmospheric pressure on sensor.



Stainless steel 316L shell

Stainless steel integral welding ensures stable performance.



Integrated forming without weld

Impact resistance, strong overload resistance, solid and reliable.



Removable design to prevent blockage

With rubber ring, leak proof, effectively protect equipment and prolong product life.

Product Selection



Product Selection

Model	ELLT2001		
Pressure range	0~0.5~500 metres		
Output signal	O1:4~20mA	O2:0~5Vdc	O3:0.5~4.5Vdc
	O4:0~10V	O5:1~5V	O6:RS485
Power supply	P1:DC24V	P2:DC12V	
ELIT2001 5m O1 P1	eg: ELIT201, level range 5 metres,output 4-20mA, power supply DC24V		

Product Dimension



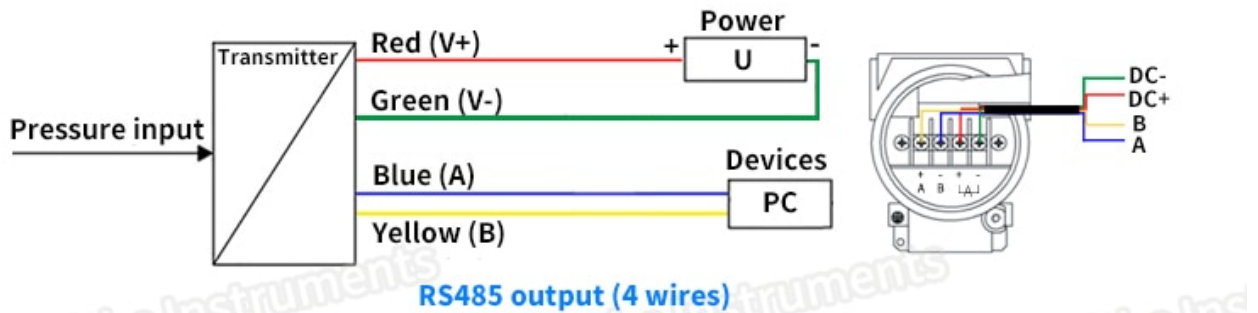
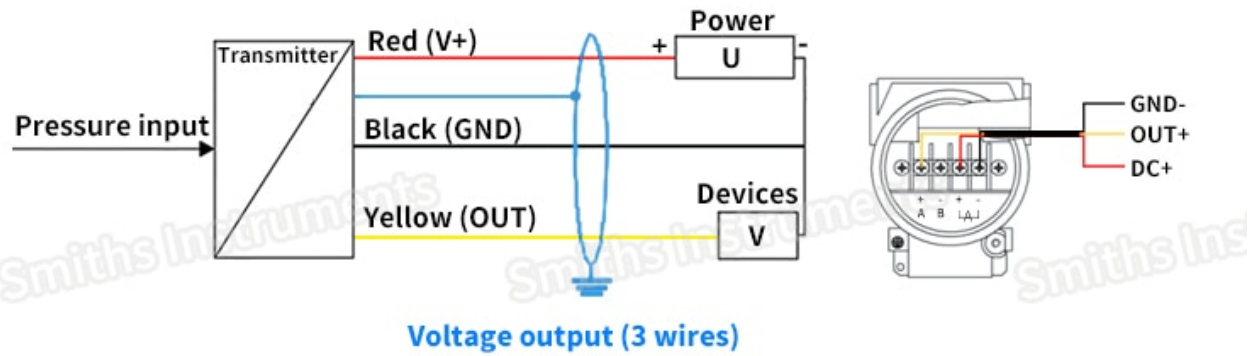
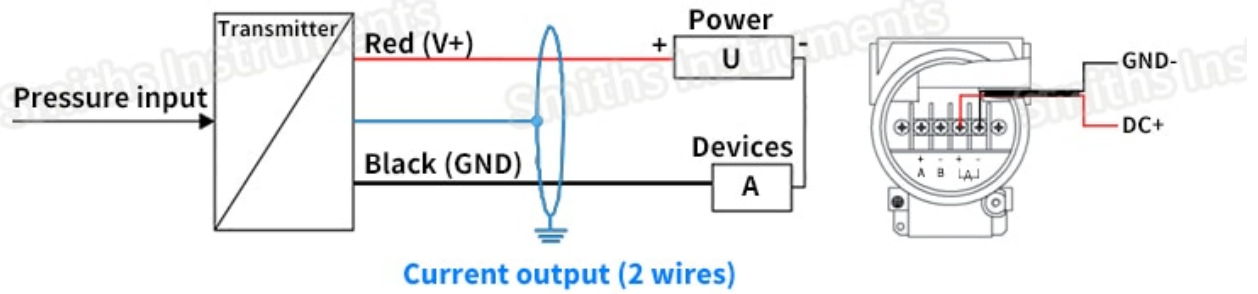
Product Dimension



Product Wiring Diagram



Wiring Diagram



Product Application



Product Application

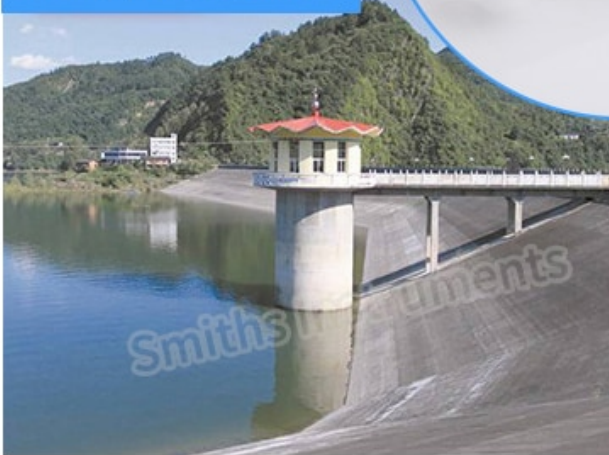
Fire water tank



Deep well



River/reservoir



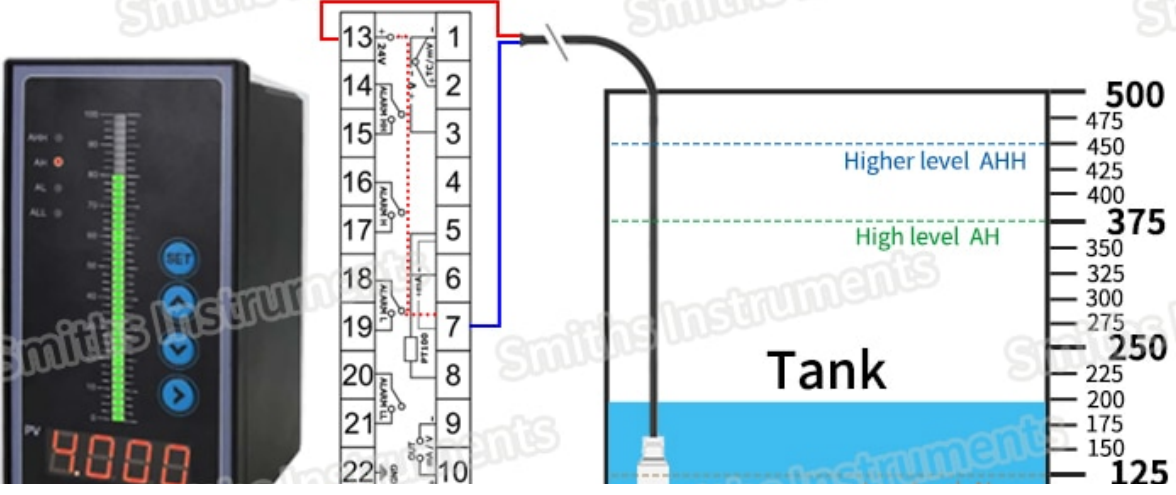
Industrial pool



Read & Monitor & Control Solutions of the tank



1. Liquid level read & monitor & control Solutions of the tank.





2. PM14 panel meter and EL series hydrostatic sensor work on the tank.

Real Product Pictures









Company Information



Company Information

XUZHOU FIRST INSTRUMENTS CO., LTD

FOCUSING ON PROCESS AUTOMATIC & INTELLIGENT SOLUTIONS.

FIRST is a professional & experienced supplier for automation instruments, we provide one-stop system solutions service. Our main products are signal isolator, current transducer, voltage transducer, pressure transmitter, pressure gauge, liquid level transmitter, ultrasonic level meter, temperature sensor, temperature transmitter, etc.



With years of efforts and continuous exploration in this field of industrial automation control, we share our products all over the world. We insist that we sell you our trust first and our products second. We have a good sales system, from pre-sale to after-sale, concentrate on each details, and commit to provide each customer the good products and service. We hope to cooperate with more customers for mutual development and benefits.



Founded in 2017



Advanced concept



Specialized products

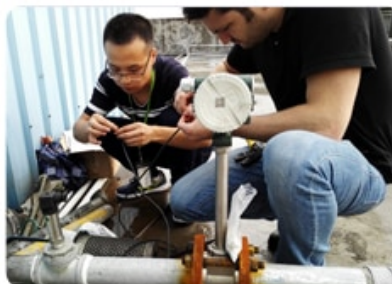


Professional team



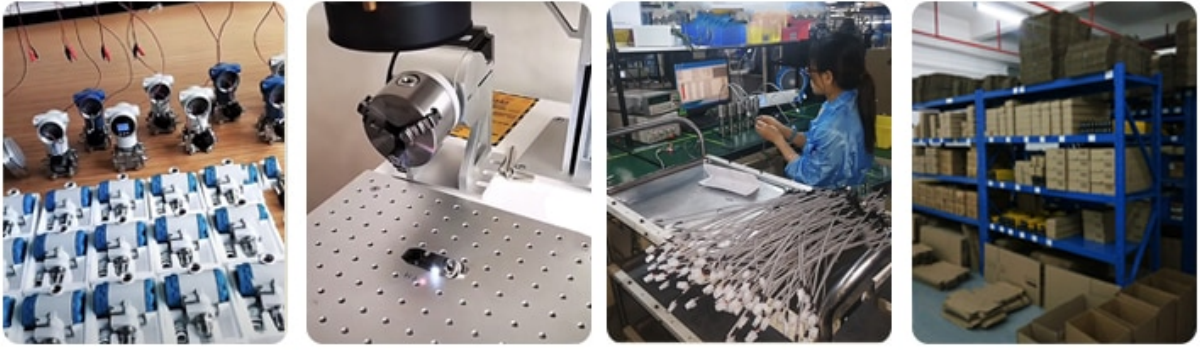
Sincere service

CLIENTS



WORKSHOP

WORKSHOP



CERTIFICATES





Shipment & Payment

Shipping & Estimated time



- Customer specify freight forwarder or negotiable shipping methods.
- Always keep you informed about the shipping status. Tracking NO. or shipping documents will be sent to you once the cargos shipped.

Payment methods

PayPal

VISA **MasterCard**

DISCOVER NETWORK **AMERICAN EXPRESS**

MoneyGram **WESTERN UNION** **citibank** **Alipay**

TRADE ASSURANCE
100%
SECURITY GUARANTEED

T/T
L/C

- We accept credit card, Paypal, Western Union, MoneyGram, TT, L/C as our payment terms.
- If customers have any questions about payment, please contact us ASAP.

Rate us 5 stars



We are glad you are enjoying our products.

Please give us 5 stars to support us doing even better!



Item as Described: ★★★★★ 5-Star

Communication: ★★★★★ 5-Star

Shipping Speed: ★★★★★ 5-Star

Links

This product belongs to [Home](#)