

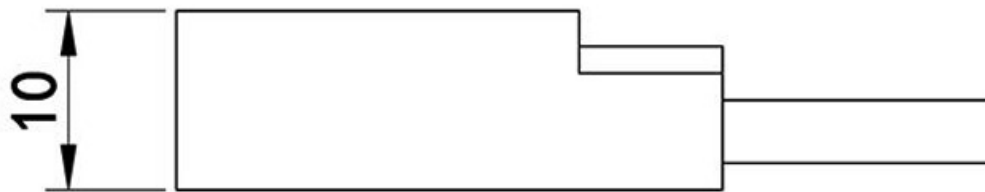
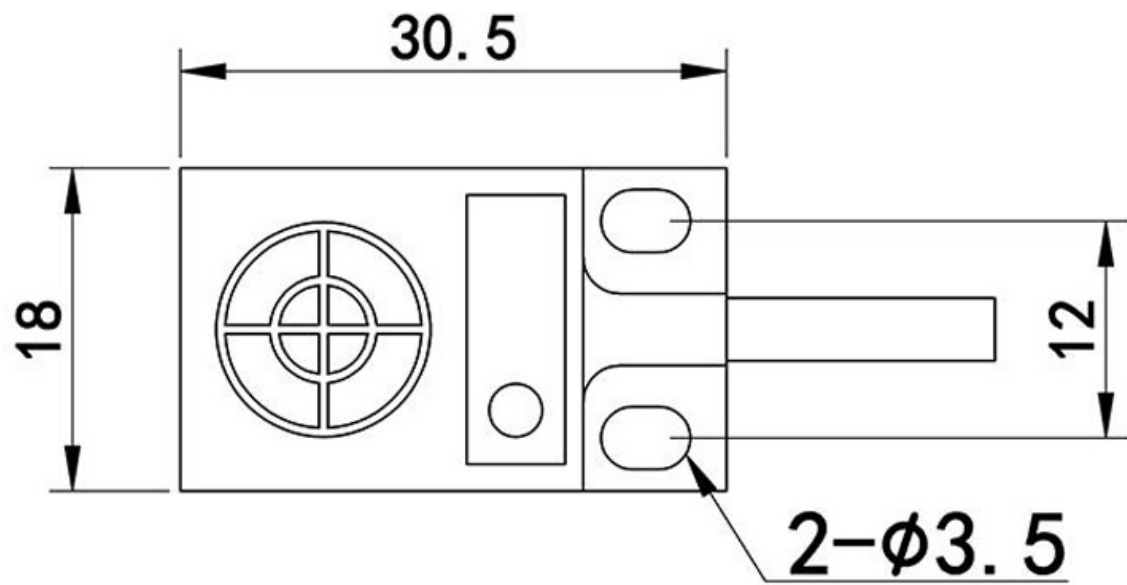
TL-W5MC1 TL-W5MC2 TL-W5MF1 5mm Detecting Inductive Proximity Sensor Detection Switch NPN PNP DC 6-36V



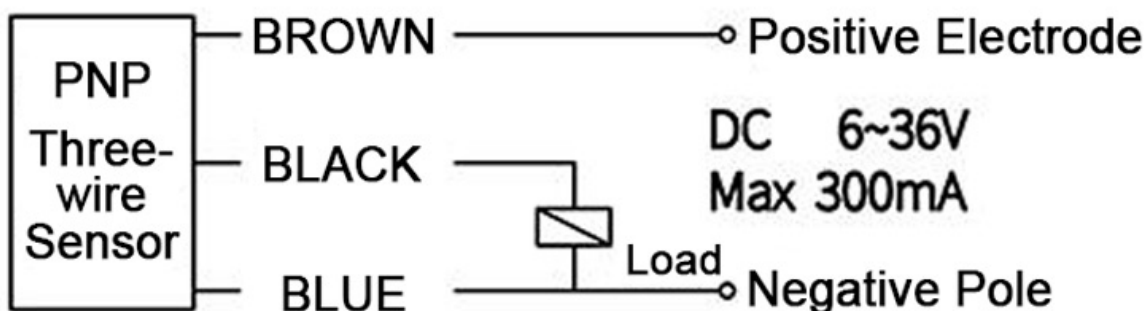
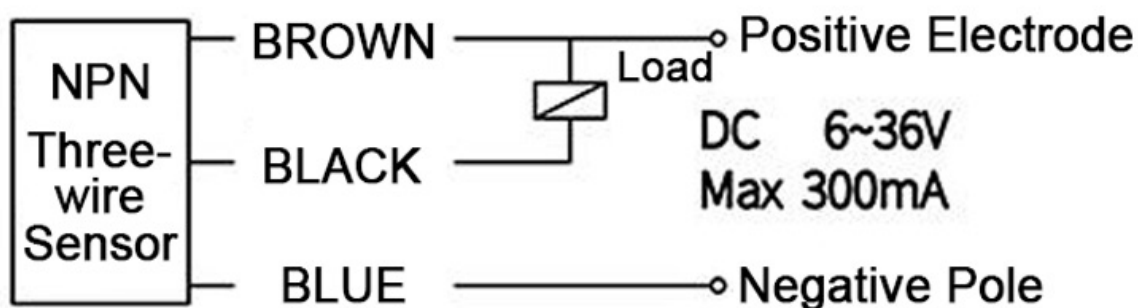
The parameters

параметр

Size:



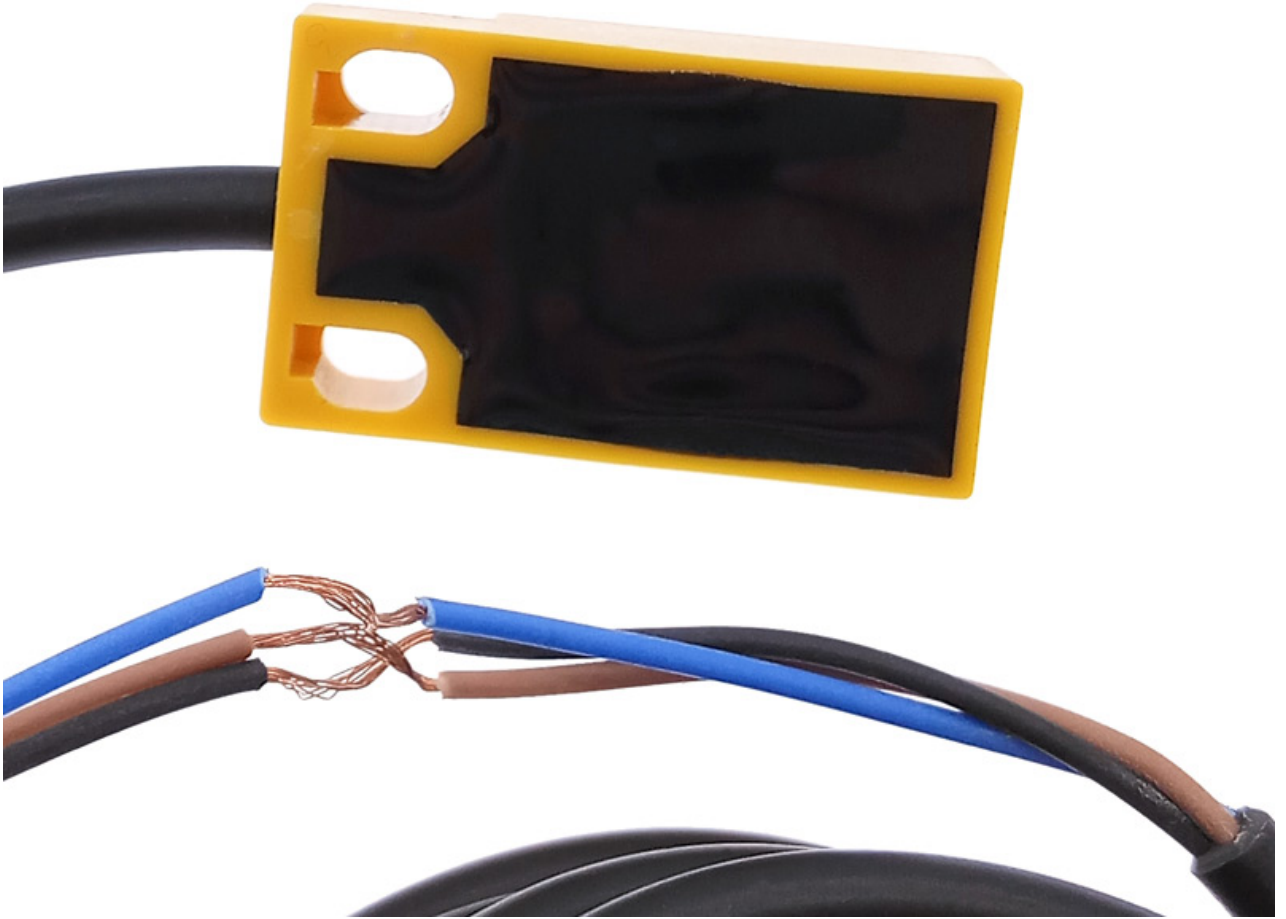
Output mode		Product model
NPN DC type	NO	TL-W5MC1
	NC	TL-W5MC2
PNP AC type	NO	TL-W5MF1
	NC	TL-W5MF2
Induction distance		5mm±10%



The Description

описание







Buyer tips

покупатель советы