

# Anti-explosion Pressure Transmitter

---



◆ In: -0.1~0~100Mpa

◆ PWR: DC12~36V

◆ Out: RS485

◆ Thread: M20\*1.5



For Water/Oil/Gas/Liquid

Ex-proof

Pressure Transmitter

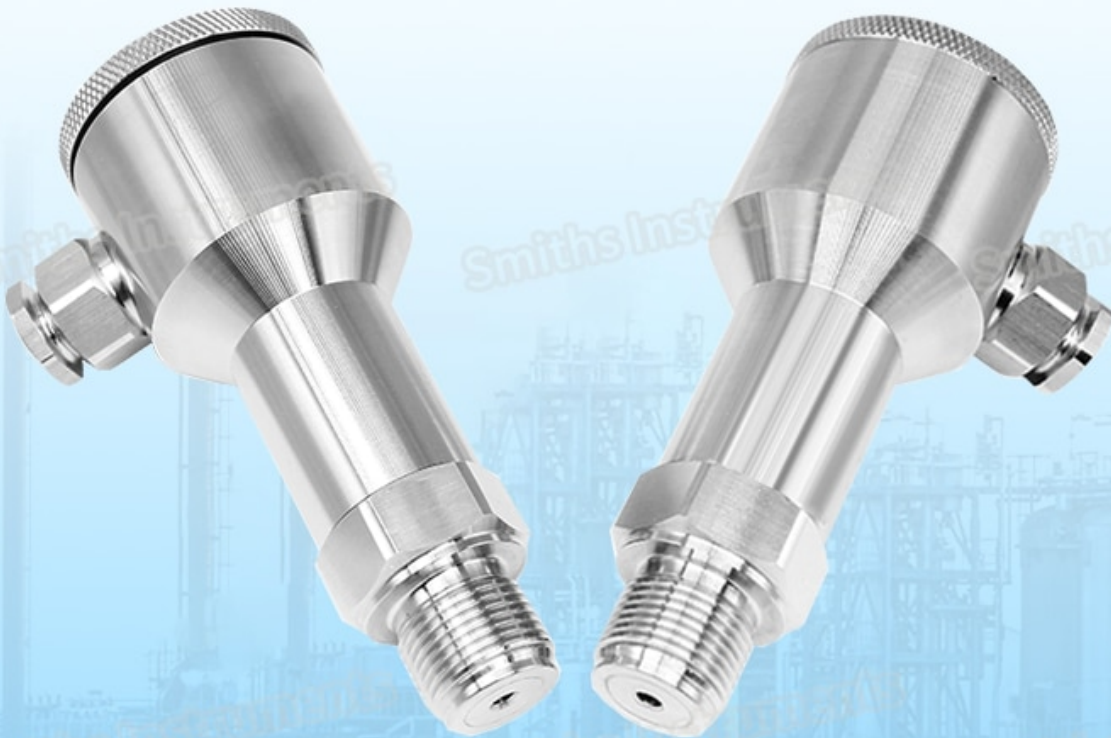
## Product Description



## Pressure Transmitter

**-0.1~0~100MPa**

- ✓ Diffused silicon core
- ✓ Explosion proof design
- ✓ Strong impact resistance



1>>. Explosion-proof pressure transmitter used sensitive & high performance diffusion silicon piezoresistive chip.

2>>. The internal circuit board converts the pressure signal into standard analog signal,users can directly connect the transmitter with computer interface card,control instrument,intelligent instrument or PLC.

3>>. This pressure transmitter has many good features,small volume,light weight,easy to install,all stainless steel sealing structure,high anti-vibration and anti-impact performance.

4>>. This pressure transmitter is widely used in process control, aviation, aerospace, automobile, medical equipment and many other fields.



## Product Parameters

Product name	Pressure transmitter
Pressure range	-0.1~0~100Mpa
Output signal	4~20mA, 0~5V, 0~10V, RS485
Power supply	12~36Vdc(24Vdc)
Accuracy	0.5%FS(default), 0.2%FS
Response time	≤10mS
Overload capacity	150%FS
Compensation temp.	-10~70°C
Ambient temp.	-40~85°C
Long term stability	±0.2%FS/year
Zero temp. drift	±0.5%FS/°C
Sensitivity temp. drift	±0.5%FS
Mechanical vibration	20g(20~5000Hz)
Sampling time	20 times/second
Insulation	≤500MΩ
Protection grade	IP65
Compatible media	Various media compatible with SS316

### Product Features

1

Imported silicon piezoresistive sensor

Instantaneous withstand pressure 200%FS

20mS fast response



2

High quality anti buffer damping

3.5mm standard pressure hole + anti-buffer damping

Accurate pressure measurement





### 3. Sturdy & strong shape design



Shell all stainless steel design, strong shock resistance & impact resistance



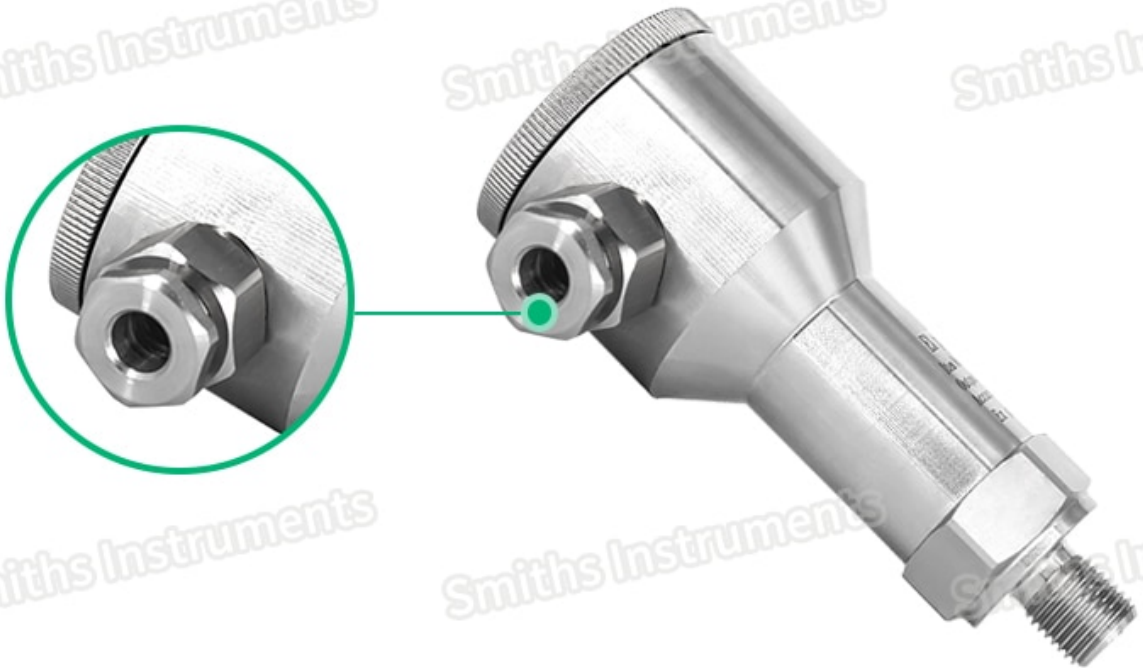
### 4. Digital special circuit

Strong anti-interference ability and good stability



### 5. Sealed design & Waterproof IP65

SS304 material, seals construction,  
IP65 waterproof outgoing line

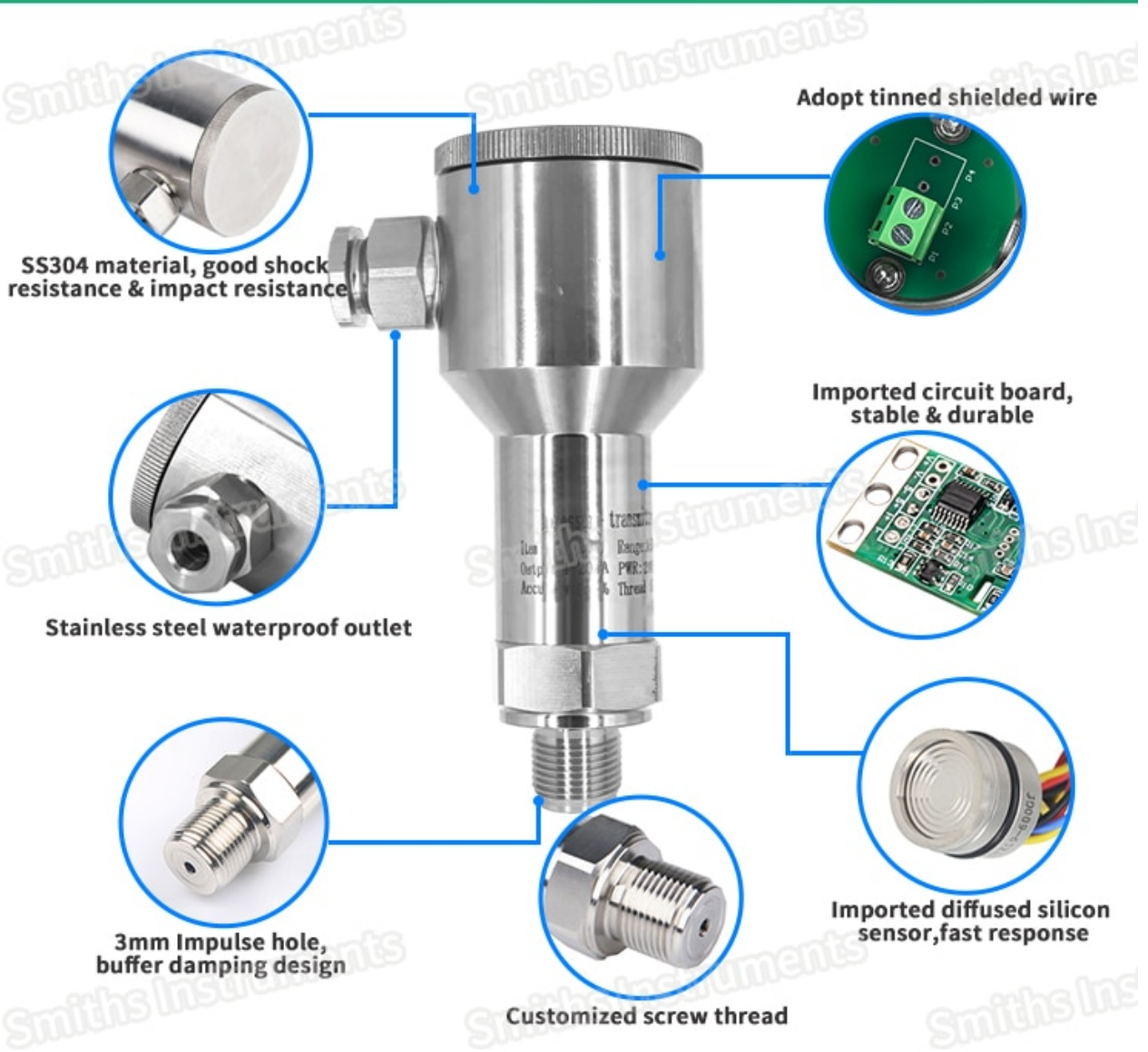


## 6. Built in damping, Anti-damping design

Resistant to 200%FS instantaneous impact  
Overload capacity 150%FS



# Product Features



## Product Selection



# Product Selection

**Model:** ELPT300-T9

**Pressure range:** R: -0.1~0~100Mpa

**Pressure type:** G: Gauge pressure; A: Absolute pressure; S: Seal pressure;

**Accuracy:** A1: 0.5%FS (Default); A2: 0.2%FS;

**Output signal:** O1: 4-20mA(2 wires); O2: 0-5V(3 wires); O3: 1-5V(3 wires);  
O4: 0-10V(3 wires); O5: RS485(4 wires); O6: 0.5-4.5V(3 wires);

**Power supply:** P1: 24VDC (Default); P2: 12VDC; P3: 5VDC(for 0.5-4.5V);

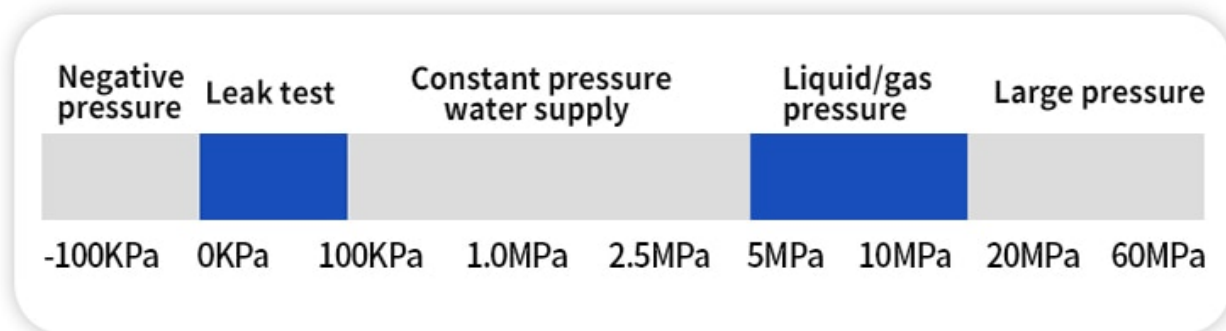
**Thread size:** T1: M20\*1.5; T2: M14\*1.5; T3: G1/2; T4: G1/4;  
T5: G3/8; T6: NPT1/4; T7: NPT1/2; T8: others

**Electrical connection:** E1: Waterproof direct lead; E2: Aviation plug;  
E3: Hirschmann; E4: Hirschmann with LED;  
E5: Hirschmann with LCD;  
E6: Aluminum junction box;

ELPT300-T9 R G A1 O1 P1 T1 E3

eg: ELPT300-T9-R-G-A1-P1-T1-E3

## Pressure range confirmation



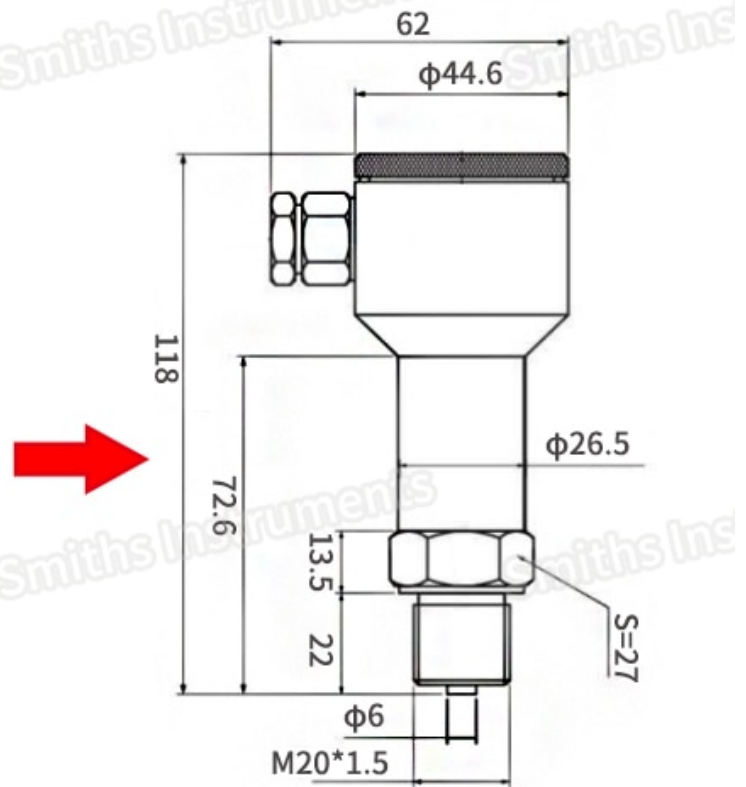
## Pressure range table

Code	Range	Code	Range	Code	Range	Code	Range
W1	0~1kPa	W2	0~2kPa	W3	0~3kPa	W4	0~4kPa
W5	0~6kPa	W6	0~10kPa	W7	0~16kPa	W48	0~20kPa
W9	0~25kPa	W10	0~40kPa	W11	0~60kPa	W12	0~100kPa
W13	0~0.16MPa	W14	0~0.25MPa	W15	0~0.4MPa	W16	0~0.6MPa
W17	0~1.0MPa	W18	0~1.6MPa	W19	0~2.5MPa	W20	0~4MPa
W21	0~6MPa	W22	0~10MPa	W23	0~16MPa	W24	0~25MPa
W25	0~40MPa	W26	0~60MPa	W27	0~100MPa	W28	0~-100kPa
W29	-100~100kPa	W30	-100~300kPa				

## Thread size table

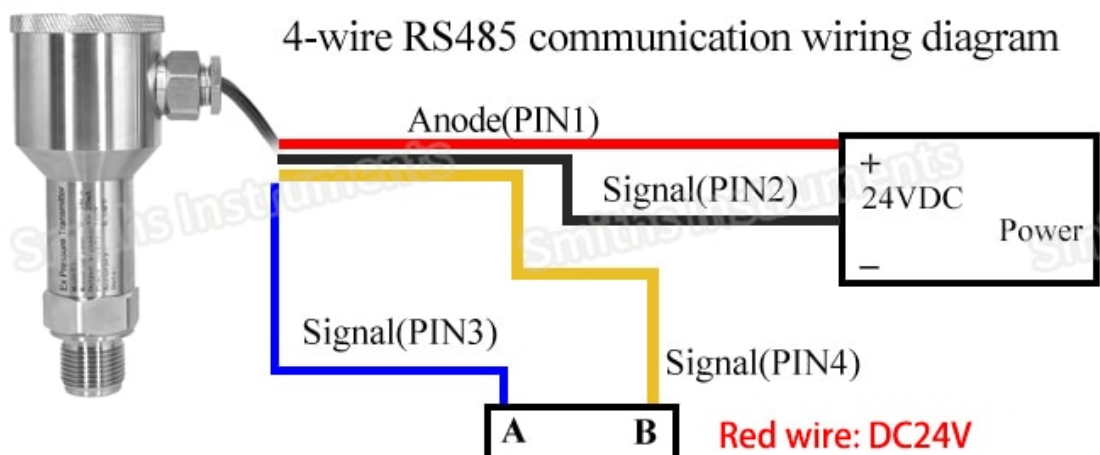
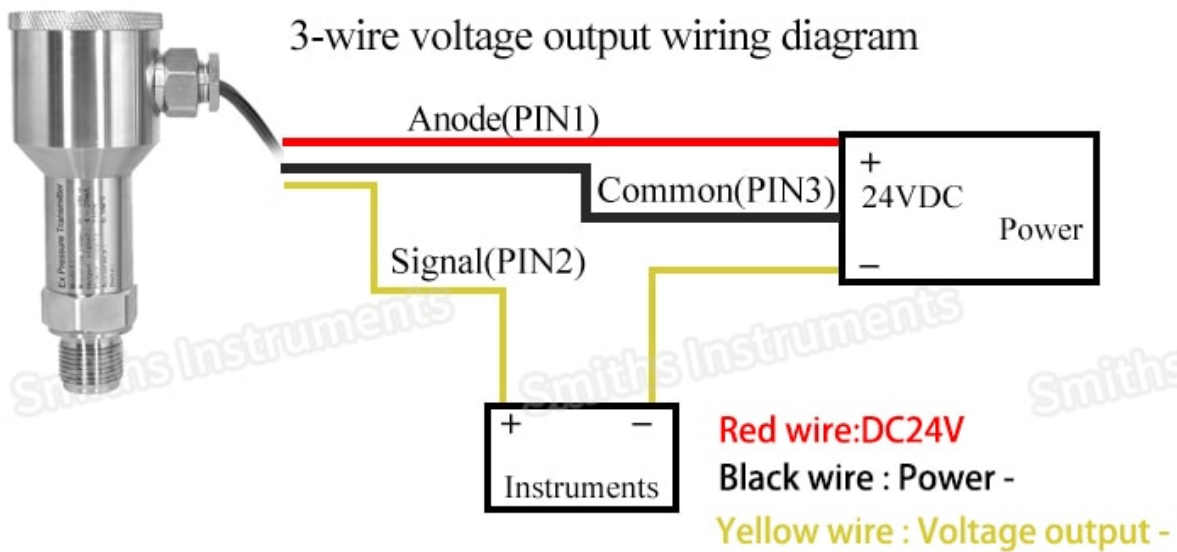
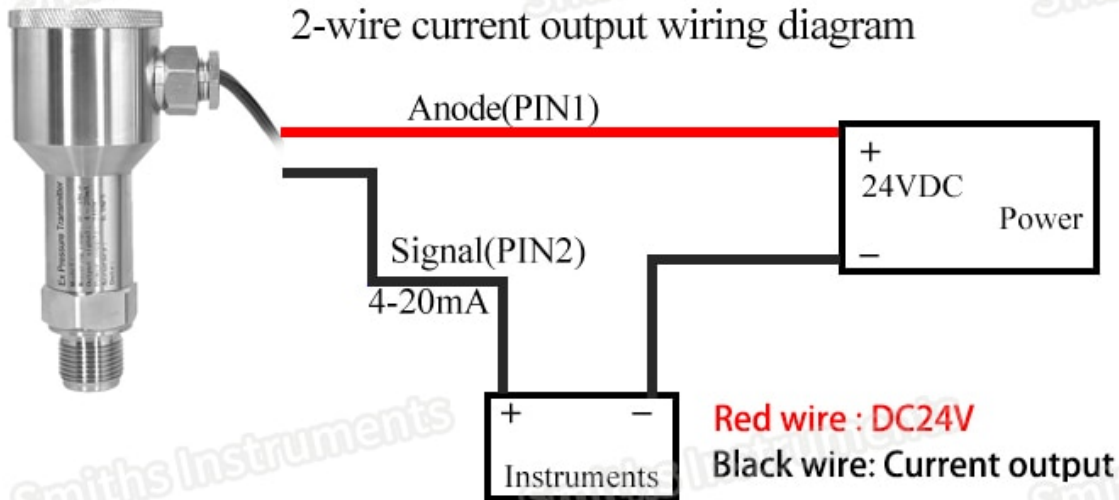
Code	Thread	Code	Thread	Code	Thread	Code	Thread
F1	M8X1	F2	M10X1	F3	M12X1	F4	M12X1.25
F5	M12X1.5	F6	M14X1.5	F7	M16X1.5	F8	M18X1.5
F9	M20X1.5	F10	M22X1.5	F11	M24X1.5	F12	M27X1.5
F13	M33X2	F14	M42X1.5	F15		F16	
F17	G1/8	F18	G1/4	F19	G3/8	F20	G1/2
F21	G3/4	F22	G1'	F23	G1/4(female)	F24	
F25	NPT1/8	F26	NPT1/4	F27	NPT3/8	F28	NPT1/2
F29	NPT3/4	F30	NPT1/4(female)	F31		F32	
F33	PT1/8	F34	PT1/4	F35	PT3/8	F36	PT1/2

# Product Dimension



## Product Wiring Diagram

# Wiring Diagram





Product Application



Product Application



Constant pressure  
water supply



Heat dissipation  
& ventilation



Chemical automatic  
control



Real Product Pictures





**Company Information**