

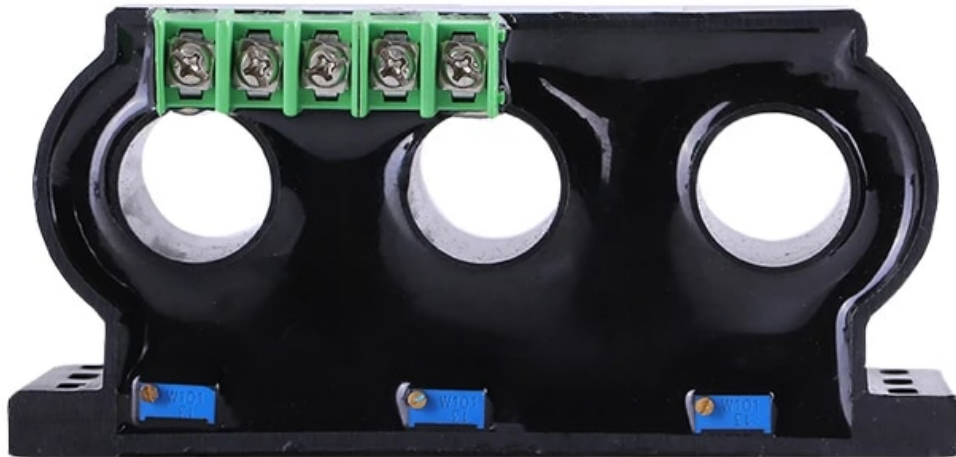
AC 0-100A 3 Phase Current Transducer 3 wire Analog Output 4-20ma 0-10v Three Phase AC Current Transducer



◆ IN: AC0~400A

◆ OUT: 4~20mA, 0~5V, 0~10V, 1~5V

◆ PWR: DC24V



3 Phase AC Current Transducer

AC 0-100A 3 Phase Current Transducer 3 wire Analog Output 4-20ma 0-10v Three Phase AC Current Transducer

NOTES:

The 3 phase current transducer can make any range within AC0~400A.

If you need other current range, please contact me.

We can make special customization for you.

Product Description

1>>. Working principle: Open loop direct measurement.

2>>. Usage: Used for measuring 3 phase AC current.

3>>. Advantages: Better cost-performance, low power consumption, small volume, light weight, easy installation, perforation input and no insertion loss.

4>>. Application: Frequency conversion speed control system, electric welding machine, electro-chemistry, power supply monitoring, electric locomotive, low level starting protection.

5>>. The input, output, power and outer shell are isolated, with strong anti-interference ability and high reliability.

6>>. Full channel configuration, parameters customized.

3 Phase AC Current Transmitter

0.5%FS high accuracy

Anti-interference, Anti-surge

Electromagnetic isolation



Technical Specifications

Product Parameters

Product name	3 phase current transducer
Input current range	AC 0~400A
Output signal	4~20mA,0~5V,0~10V,1~5V
Power supply	DC12V,DC24V
Accuracy	0.5%FS
Linearity	0.5%FS
Response time	≤200mS
Overload capacity	200%FS,sustainable
Temperature drift	≤500PPM/°C
Consumption current	≤25mA
Insulation	2.5K/50Hz,1min
Offset voltage	≤20mV
Zero output	≤0.15mA
di/dt follow	>50A/uS
Band width	DC ~20khZ
Working temp.	-10~+70°C
Storage temp.	-25~+85°C

Product Features

1

New electromagnetic isolation

- Widely used to measure AC 3 phase current, especially power frequency **50Hz** sine wave 3 phase AC current.



2

Split core design

- Choose suitable aperture sizes, **10mm, 20mm,** according to the size of field measuring wires



3

Glued encapsulation

- Using glued to encapsulate, waterproof & durable





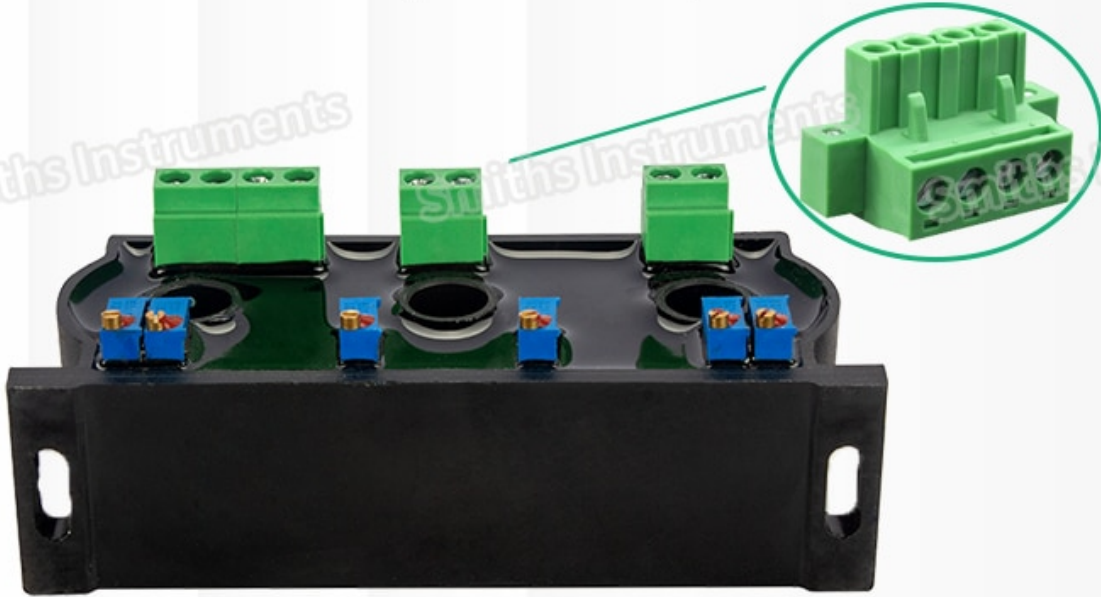
4 ABS flame retardant shell

- High strength flame retardant material, non flammable & low risk



5 Pluggable terminals

- Convenient to wiring & installation, stable and reliable



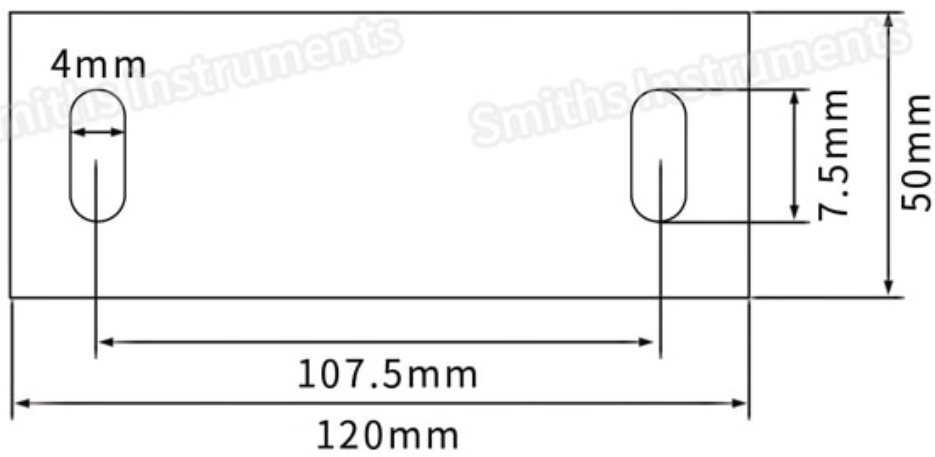
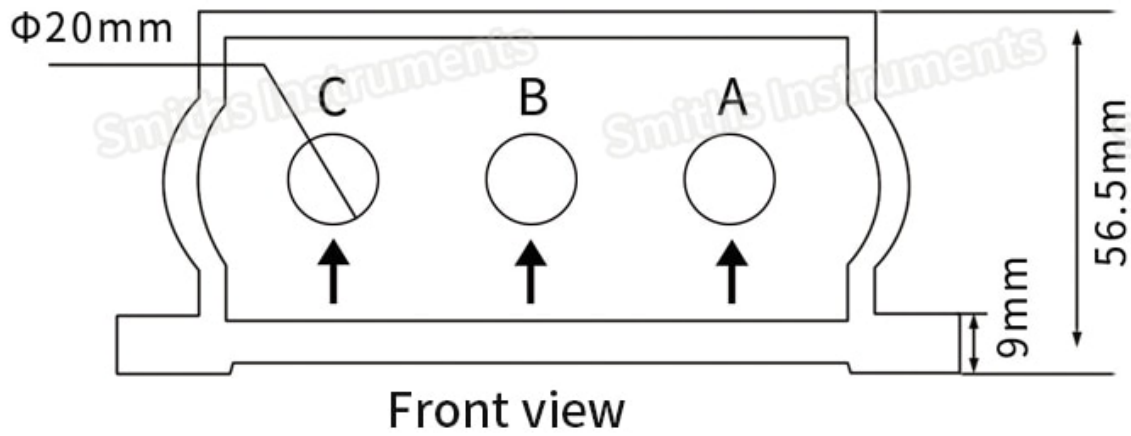
Product Selection

Product Selection

Model: ELCT-3P2				
Input:	A1: AC0~5A A5: AC0~150A	A2: AC0~10A A6: AC0~200A	A3: AC0~50A A7: AC0~300A	A4: AC0~100A A8: Customization
Output:	O1: 4~20mA O4: 0~10V	O2: 0~20mA O5: 1~5V	O3: 0~5V O6: Customization	
Power supply:	P1: DC12V	P2: DC24V	P3: AC220V	A4: Customization
Aperture diameter:	D1: 10mm(upto 150A)		D2: 20mm	
ELCT-3P2 A1 O1 P1 D1 (Product function: ELCT-3P2, input AC0~5A, output 4~20mA, power supply DC12V, 10mm dia.)				

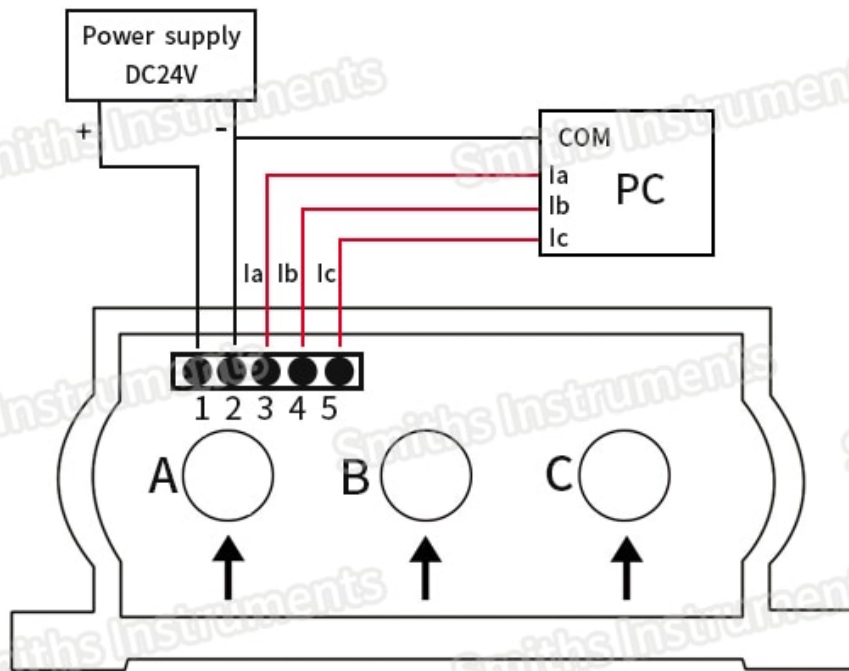
Product Dimension

Product Dimension



Wiring Diagram

Wiring Diagram



Terminals wiring definition:

1: Power + 2: COM 3: la+ 4: lb+ 5: lc+

Product Application

Product Application

