

# 48V 500W Dc Spindle Set 0~60V Adjustable speed Governor Power Supply both 110VAC & 220VAC for Engraving machine

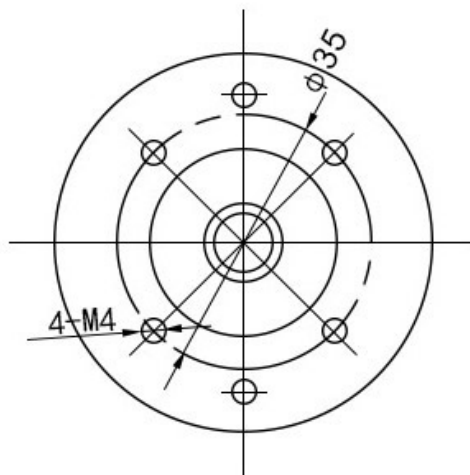
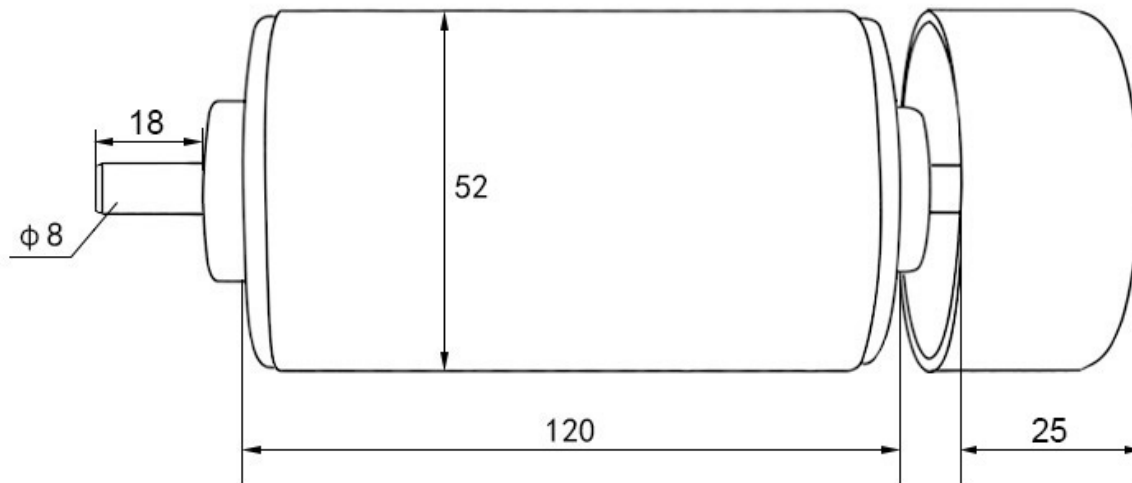
---



## The parameters параметр

①DC SPINDLE MOTOR

Work Voltage: 48VDC    Starting Current: 10A    POWER: 500W  
Toque: 550mN.m    Speed: 12000rpm    Diam: 52mm



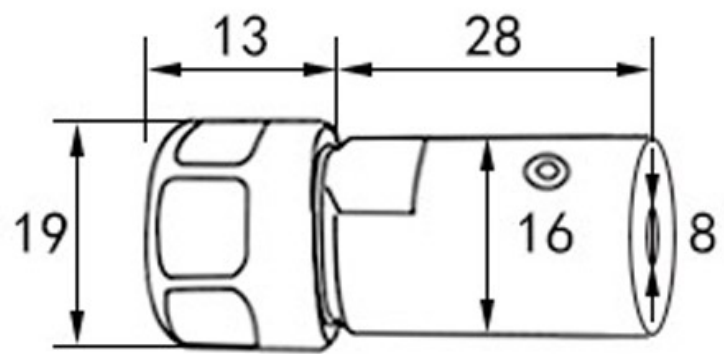
Unit: mm



## ②ER11-8 CHUCK

ER11 chuck (fit for ER11 collet 1-7mm)

End aperture: 8mm (fit for  $\varnothing 8$  motor shaft)

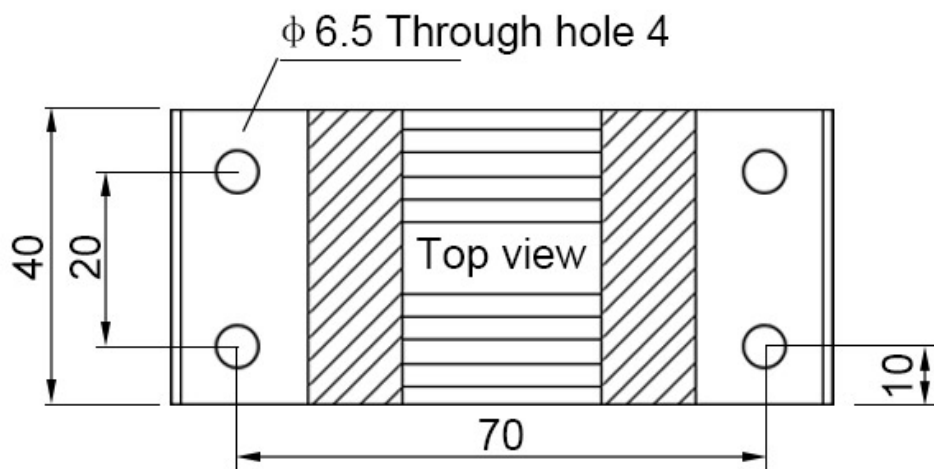
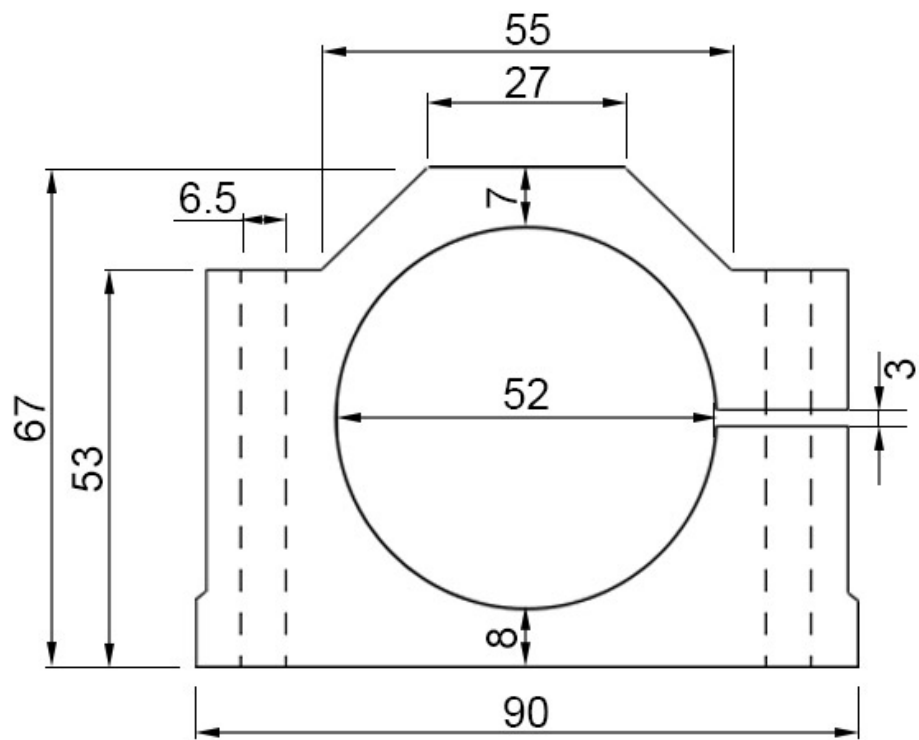


Unit: mm



③52mm Spindle Fixed Mounting Base

Material: aluminum alloy





**④500W Adjustable Speed Power Switch**

**Model:WK608**

**Input voltage: 110-220VAC**

**Output voltage: 0-60VDC**

**Current : 8A**

**Excitation : 1A**

**Max POWER: 500W**

**⑤ER11 Collet**

ER11 collet set (1mm/1.5mm/2mm/2.5mm/3mm/3.175mm/4mm/5mm/6mm/6.35mm/7mm)

tips:3.175=1/8    6.35=1/4

# Size:

**Internal diameter**

1mm, 1.5mm, 2mm, 2.5mm, 3mm, 3.175mm, 4mm, 5mm, 6mm, 6.35mm, 7mm



**External diameter**  
**11.3mm**





 **The Description** ОПИСАНИЕ

