

48V 400W Dc Spindle Set 0~60V Adjustable speed Governor Power Supply both 110VAC & 220VAC for Engraving machine



The parameters параметр

①DC SPINDLE MOTOR

Work Voltage:48VDC

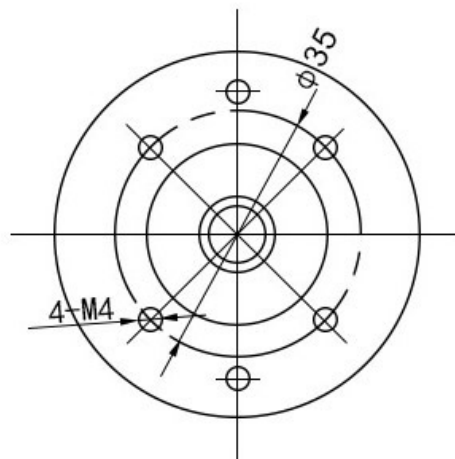
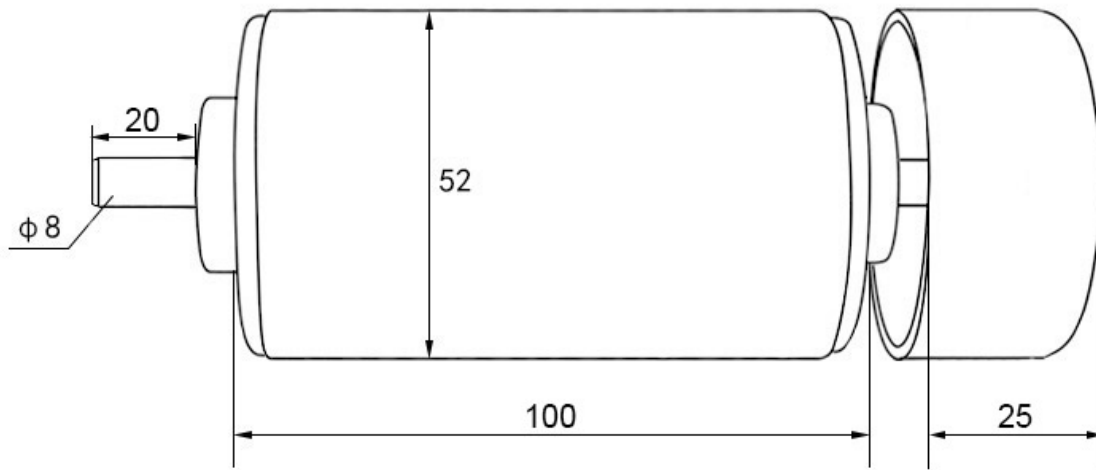
Starting Current: 8A

POWER: 400W

Toque: 500mN.m

Speed: 12000rpm

Diam: 52mm



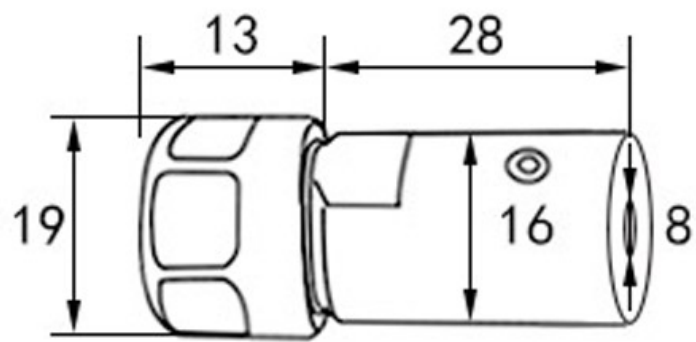
Unit: mm



②ER11-8 CHUCK

ER11 chuck (fit for ER11 collet 1-7mm)

End aperture: 8mm (fit for $\varnothing 8$ motor shaft)

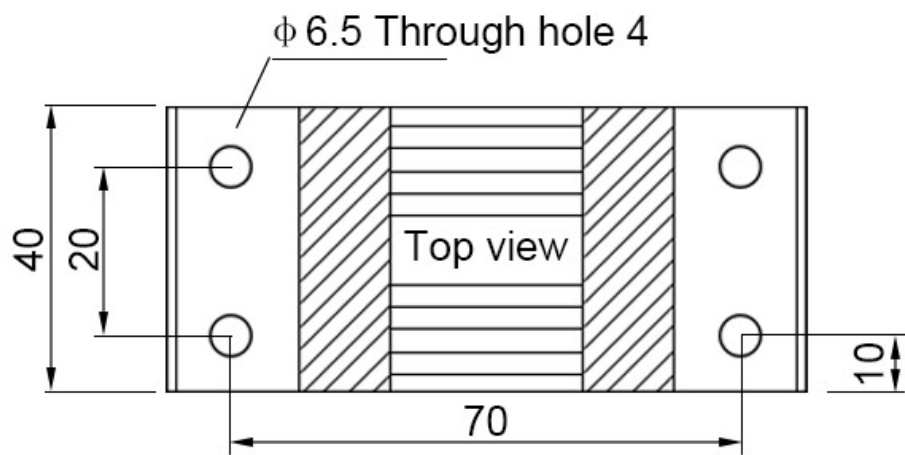
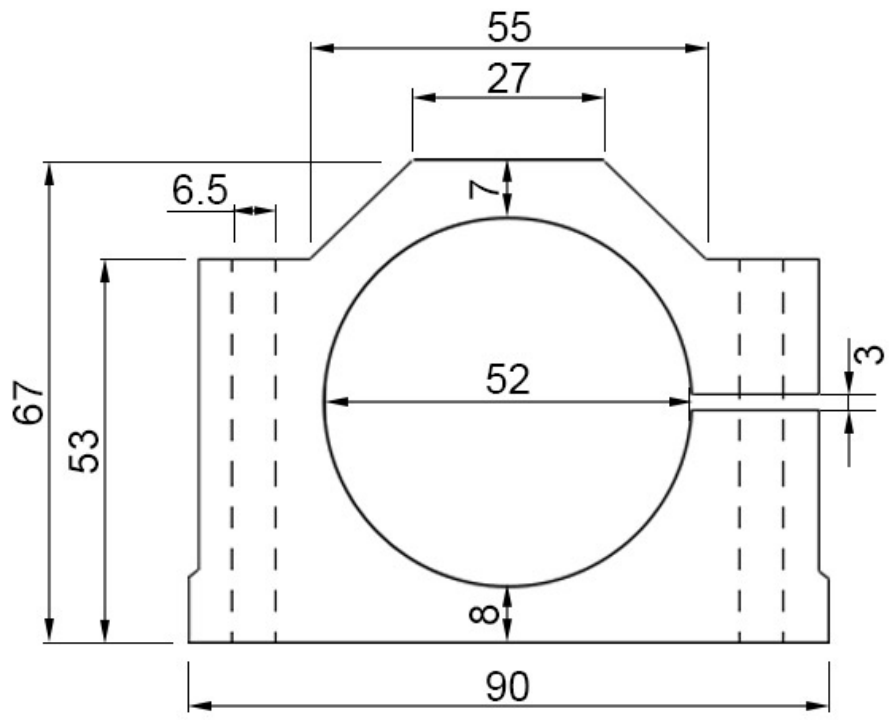


Unit: mm



③52mm Spindle Fixed Mounting Base

Material: aluminum alloy





④500W Adjustable Speed Power Switch

Model : WK608
60VDC

Input voltage: 110-220VAC

Output voltage: 0-

Current : 8A

Excitation : 1A

Max POWER: 500W

⑤ER11 Collet

ER11 collet set (1mm/1.5mm/2mm/2.5mm/3mm/3.175mm/4mm/5mm/6mm/6.35mm/7mm)

tips:3.175=1/8 6.35=1/4

Size:

Internal diameter

1mm, 1.5mm, 2mm, 2.5mm, 3mm, 3.175mm, 4mm, 5mm, 6mm, 6.35mm, 7mm



External diameter
11.3mm



The Description

описание

