

# 3 Phase Current Transmitter 4-20ma 0-5v 0-10v Analog output Perforated Three Phase Ampere Signal Transducer

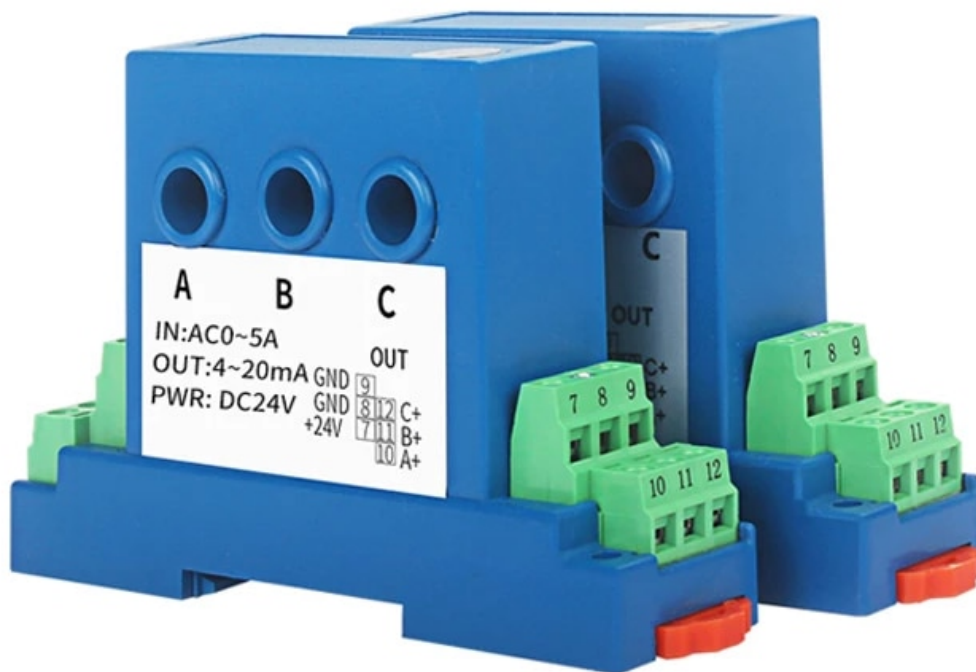
---



◆ IN: AC0~50A

◆ OUT: 4~20mA, 0~5V, 0~10V, 1~5V

◆ PWR: DC24V



## 3 Phase AC Current Transducer

**3 Phase Current Transmitter 4-20ma 0-5v 0-10v Analog output Perforated Three Phase Ampere Signal Transducer**

### NOTES:

The 3 phase current transducer can make any range within AC0~50A.

If you need other current range, please contact me.

We can make special customization for you.

## **Product Description**

1>>. Working principle: Open loop direct measurement.

2>>. Usage: Used for measuring 3 phase AC current.

3>>. Advantages: Better cost-performance, low power consumption, small volume, light weight, easy installation, perforation input and no insertion loss.

4>>. Application: Frequency conversion speed control system, electric welding machine, electro-chemistry, power supply monitoring, electric locomotive, low level starting protection.

5>>. The input, output, power and outer shell are isolated, with strong anti-interference ability and high reliability.

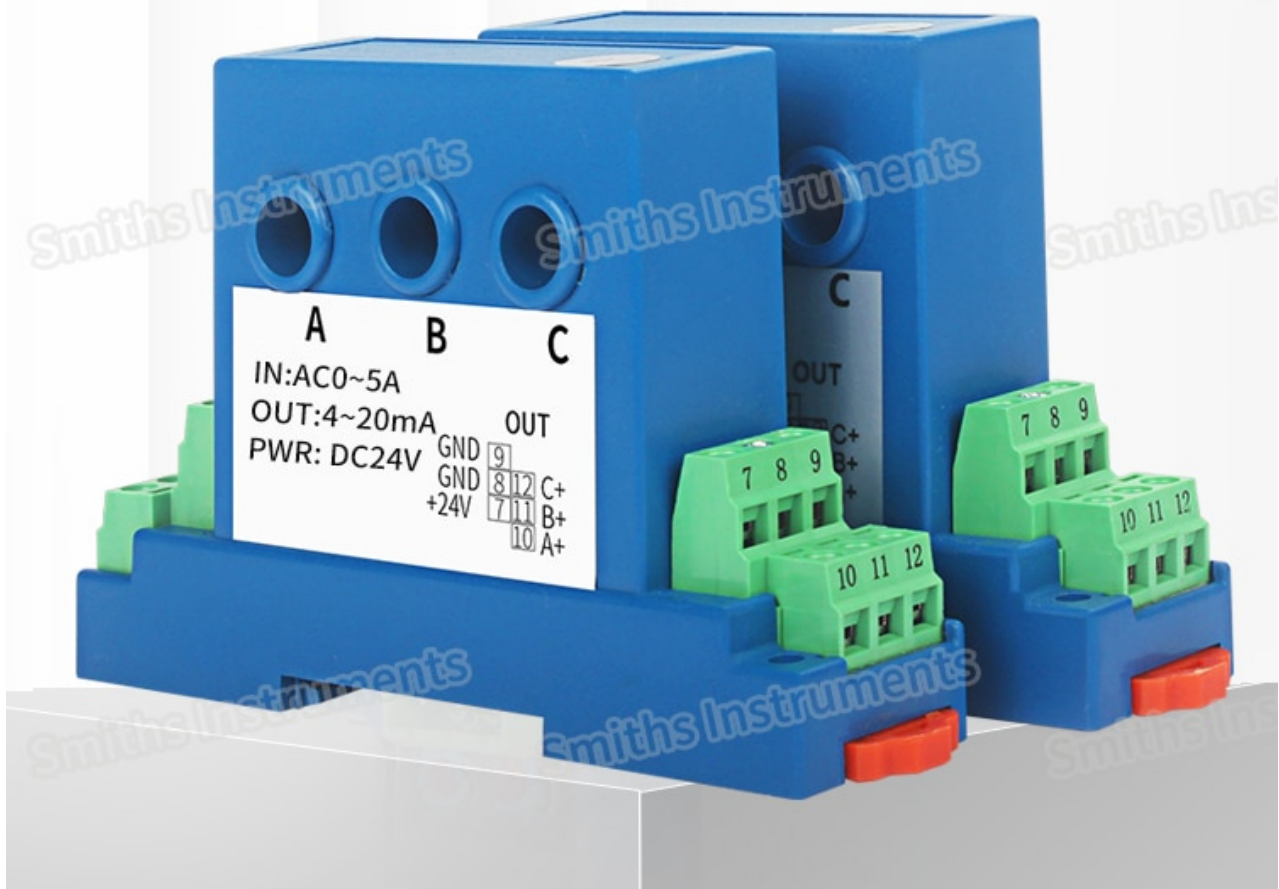
6>>. Full channel configuration, parameters customized.

# 3 Phase AC Current Transmitter

0.5%FS high accuracy

Anti-interference, Anti-surge

Electromagnetic isolation



## Technical Specifications

# Product Parameters

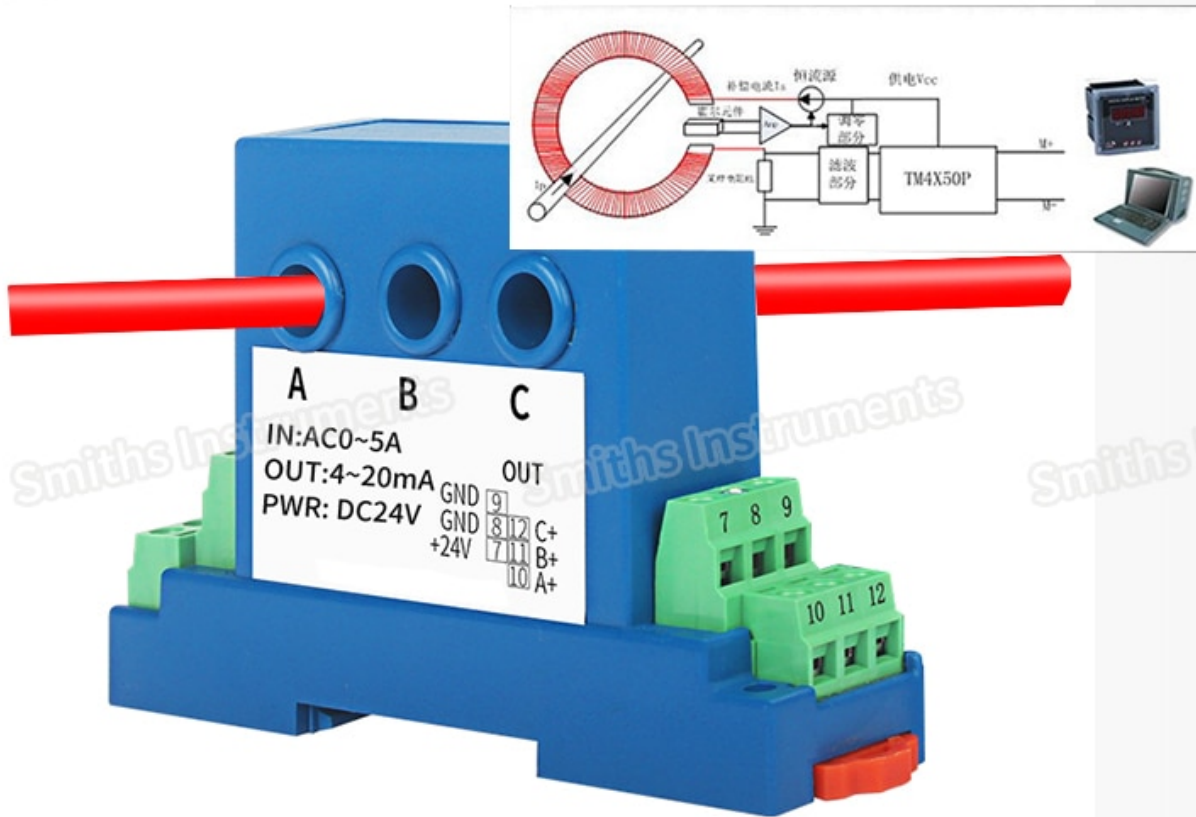
Product name	3 phase current transducer
Input current range	AC 0~50A
Output signal	4~20mA,0~5V,0~10V,1~5V
Power supply	DC12V,DC24V
Accuracy	0.5%FS
Linearity	0.5%FS
Response time	≤200mS
Overload capacity	200%FS,sustainable
Temperature drift	≤500PPM/°C
Consumption current	≤25mA
Insulation	2.5K/50Hz,1min
Offset voltage	≤20mV
Zero output	≤0.15mA
di/dt follow	>50A/uS
Band width	DC ~20khZ
Working temp.	-10~+70°C
Storage temp.	-25~+85°C

## Product Features

1

## Standard 3 terminals isolated

- Input/Output/Power supply isolated,  
Mutual interference isolated



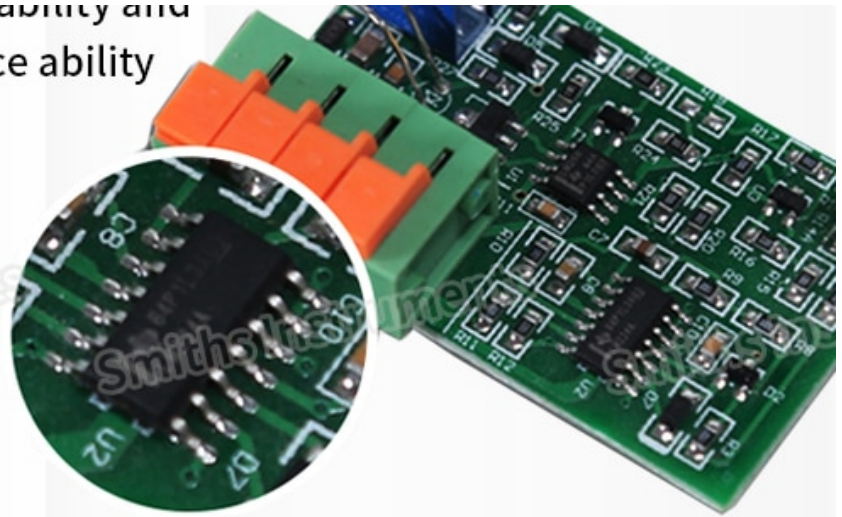
2

## Imported chip

- Core operational chip,  
Improve circuit stability and



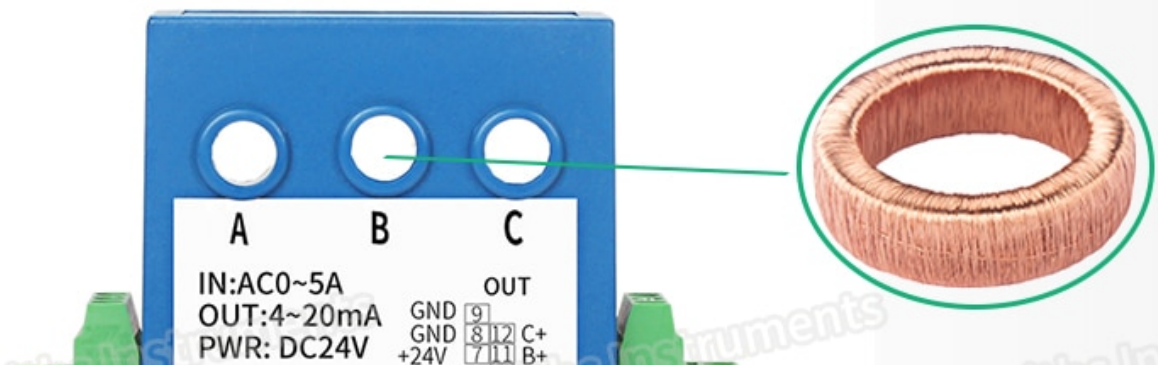
improve circuit stability and  
anti-interference ability



3

### Pure copper winding coil

- Low line resistance,  
Reduce power consumption, improve current conversion rate





4

## Dispensing encapsulation potentiometer

- Effectively prevent the potentiometer from shifting due to the field vibration



5

## Powerful terminals

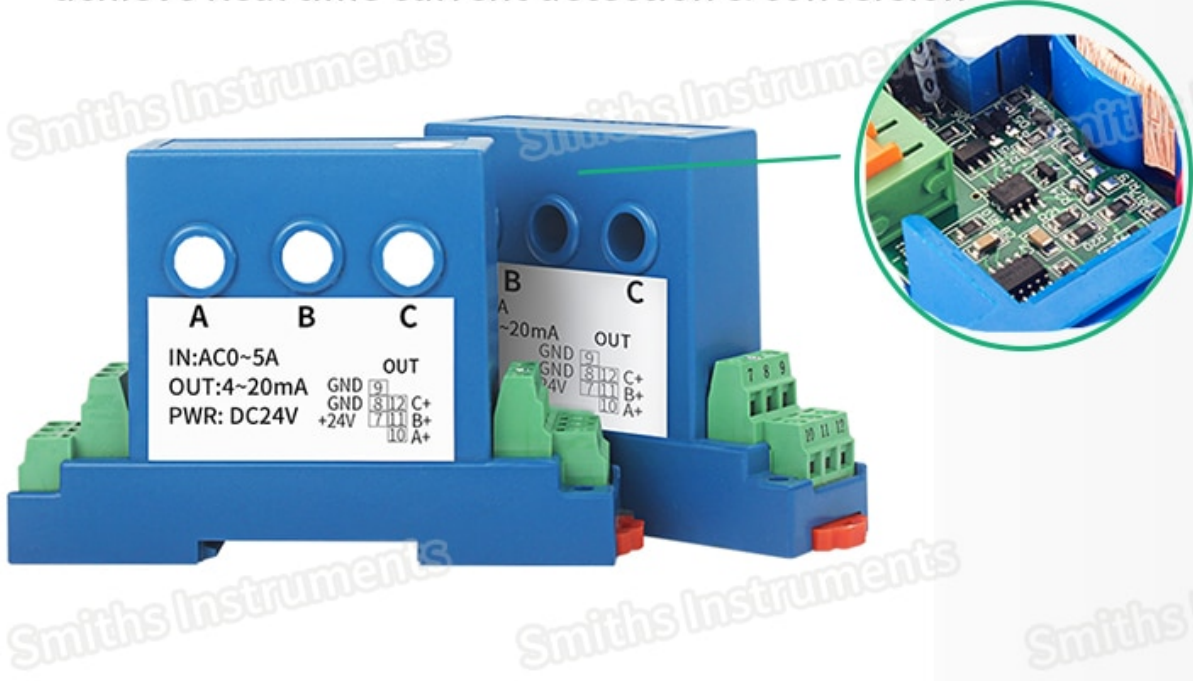
- Zinc steel shrapnel, good conductivity, low heating





**6 ASIC integrated circuit**

- Improve the response time to 0.25s, achieve Real time current detection & conversion



Product Selection

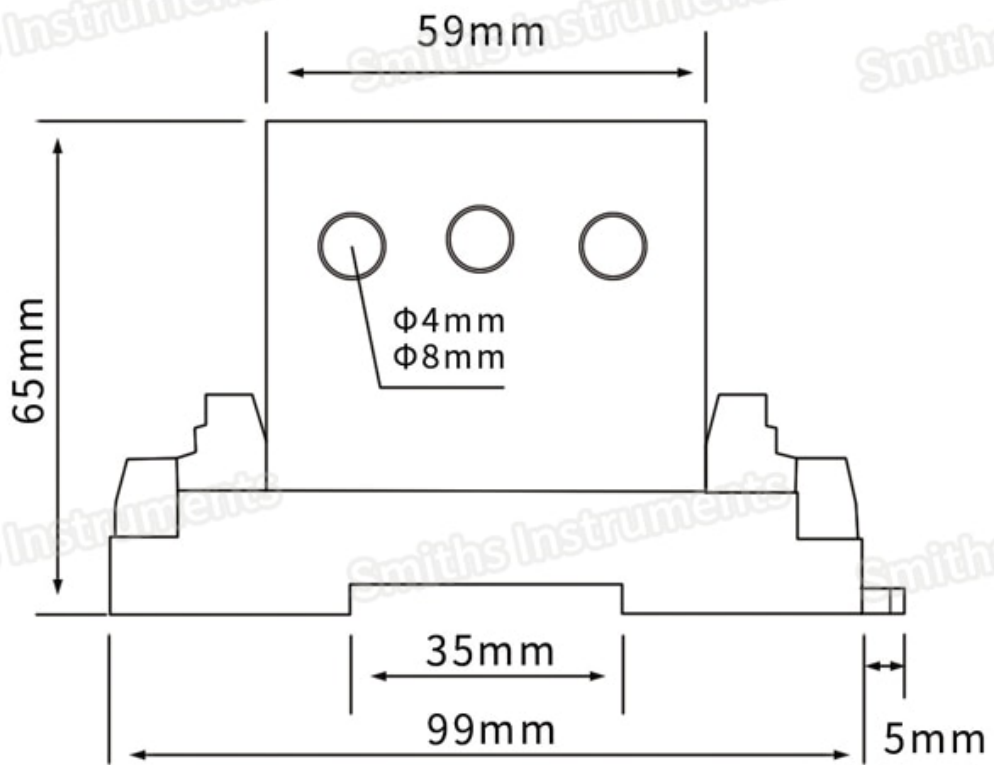


# Product Selection

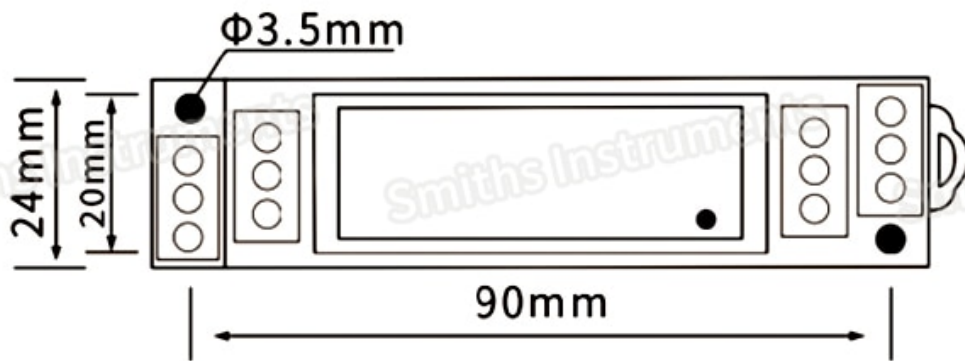
Model: ELCT-3P1				
<b>Input:</b>	A1: AC0~5A A5: AC0~25A	A2: AC0~10A A6: AC0~30A	A3: AC0~15A A7: Customization	A4: AC0~20A
<b>Output:</b>	O1: 4~20mA O4: 0~10V	O2: 0~20mA O5: 1~5V	O3: 0~5V O6: Customization	
<b>Power supply:</b>	P1: DC12V	P2: DC24V	P3: AC220V	A4: Customization
<b>Aperture diameter:</b>	D1: 4mm(default)		D2: 8mm	
<b>ELCT-3P1 A1 O1 P1 D1</b> ( Product function: ELCT-3P1, input AC0~5A, output 4~20mA, power supply DC12V, 4mm dia.)				

## Product Dimension

# Product Dimension



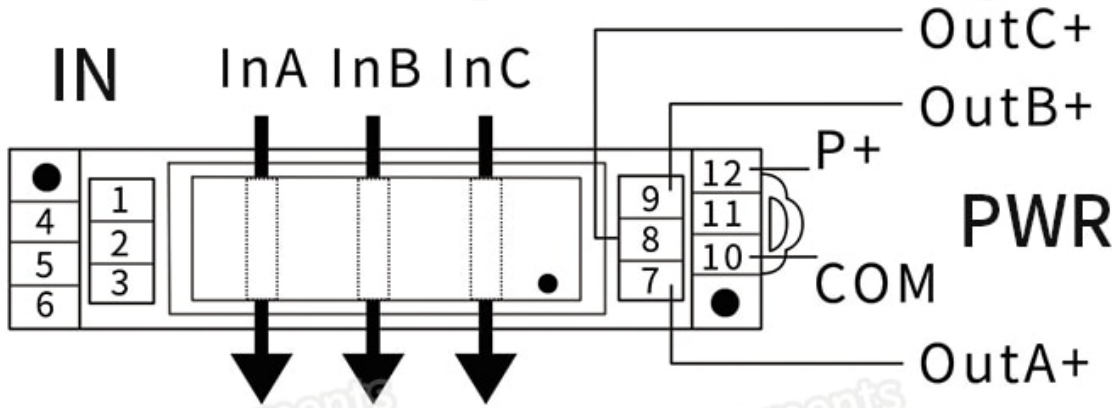
Front view



Top view

## Wiring Diagram

# Wiring Diagram



Product Application

# Product Application

