

1Pc M12 Sensor connector waterproof straight angle male female screw threaded plug coupling 3 4 5 8 Pin



The parameters

параметр

Example:

"Straight Male PG7" means Straight Male connector with 4~7mm cable outlet.



Straight Male PG7



Angle Female PG9

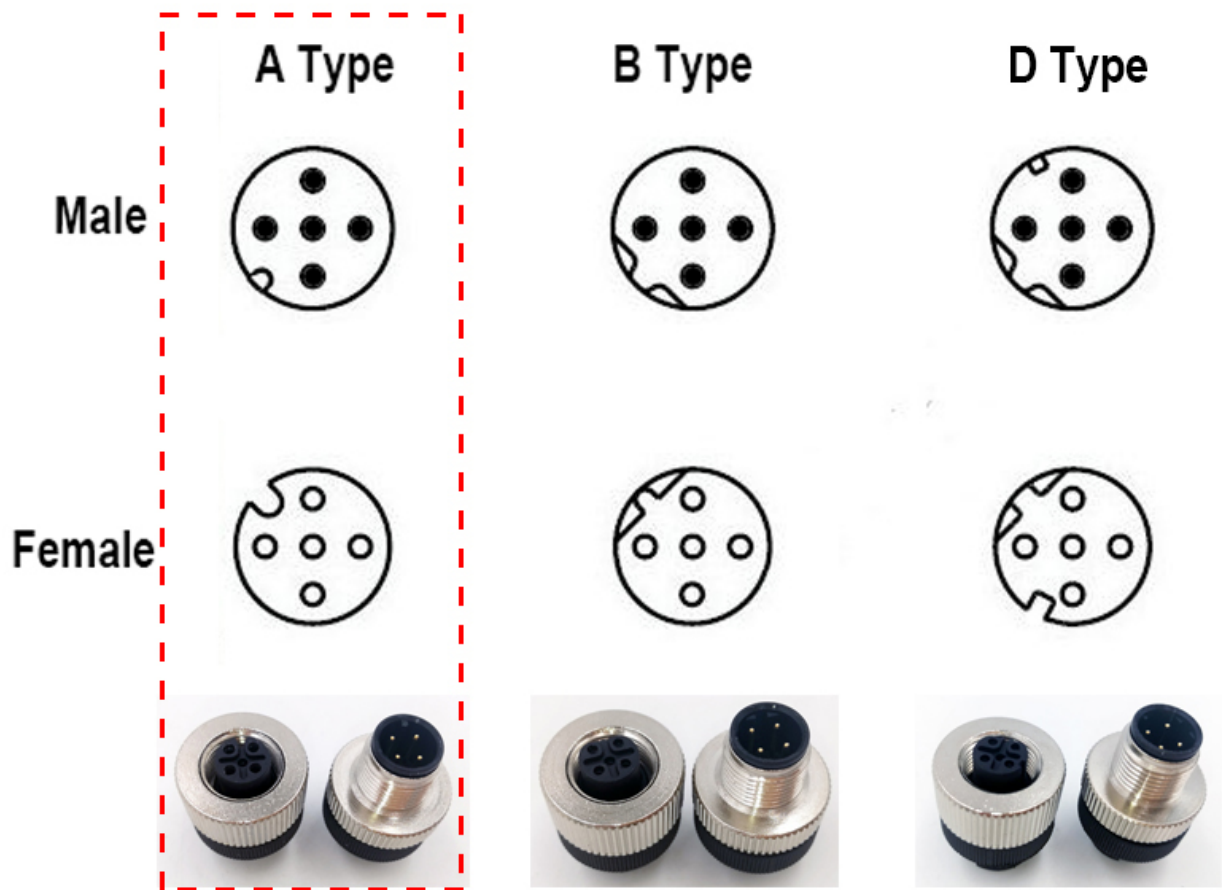


PG 7
(4-7)mm
Cable outlet

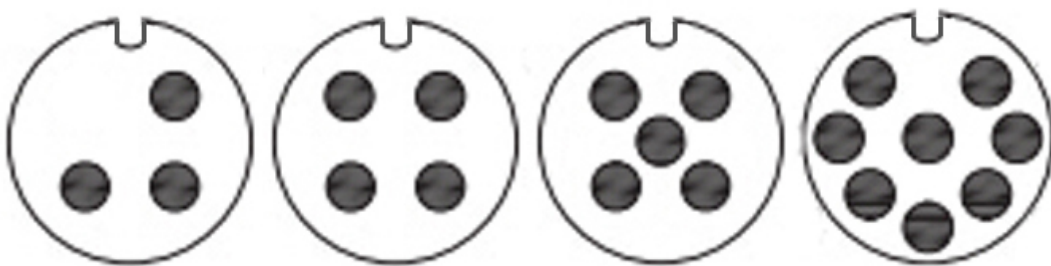


PG 9
(7-9)mm
Cable outlet

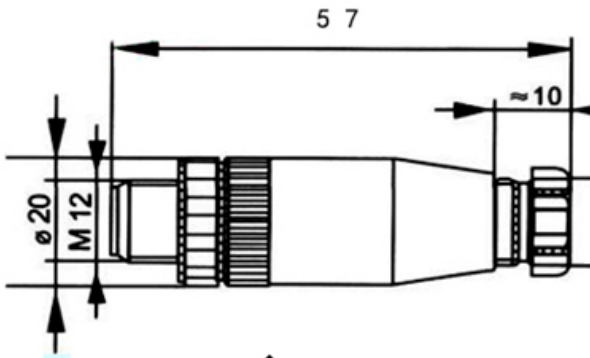
材料和技术参数 Material & Specifications					
针数	Contacts	3Pin	4Pin	5Pin	8Pin
电缆直径	Cable outlet	4~ 7mm(PG7)/7~9mm(PG9)			
锁紧方式	Coupling	螺纹锁紧/Threaded Coupling			
接线方式	Termination	螺钉压接/Screw			
线规	Wire Size	螺钉0.14-0.5mm (AWG 26-20)			
防护等级	Protection Degree	IP67			
接插次数	Mating Cycle	≥100			
工作温度范围	Temperature Range	-25°C~+85°C			
额定电压	Rated Voltage	250V	250V	60V	30V
耐压	Withstanding Voltage	2500V	2500V	1500V	800V
额定电流	Rated Current	4A			2A
接触电阻	Contact Resistance	≤3mΩ			
绝缘组别	Insulation Division	Ⅲ			
过电保护等级	Ovar Voltage Protection Level	Ⅱ			



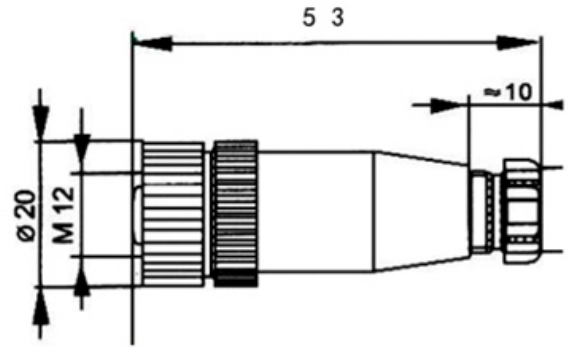
A Type 3,4,5,8pin



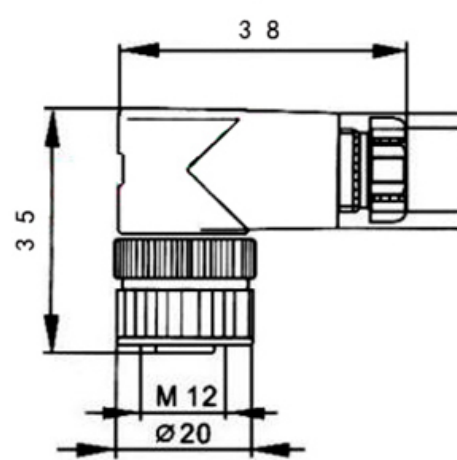
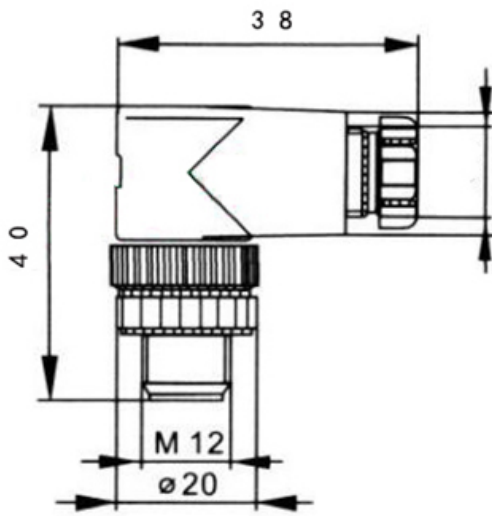
Male arrangement diagram



↑
Male Size



↑
Female Size



 **The Description**

описание









