

100V 800WE Dc Spindle Set 0~110V Adjustable speed
Governor Power Supply both 110VAC & 220VAC for Engraving
machine



The parameters

параметр

①DC SPINDLE MOTOR

Work Voltage:100VDC

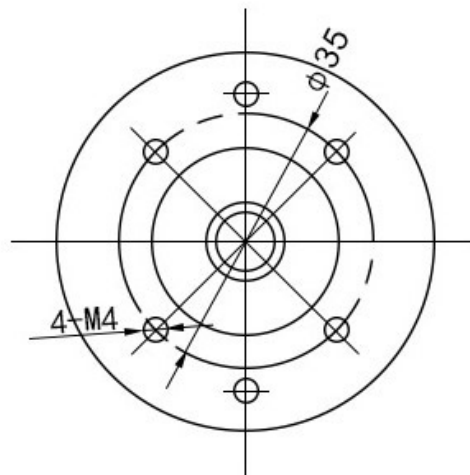
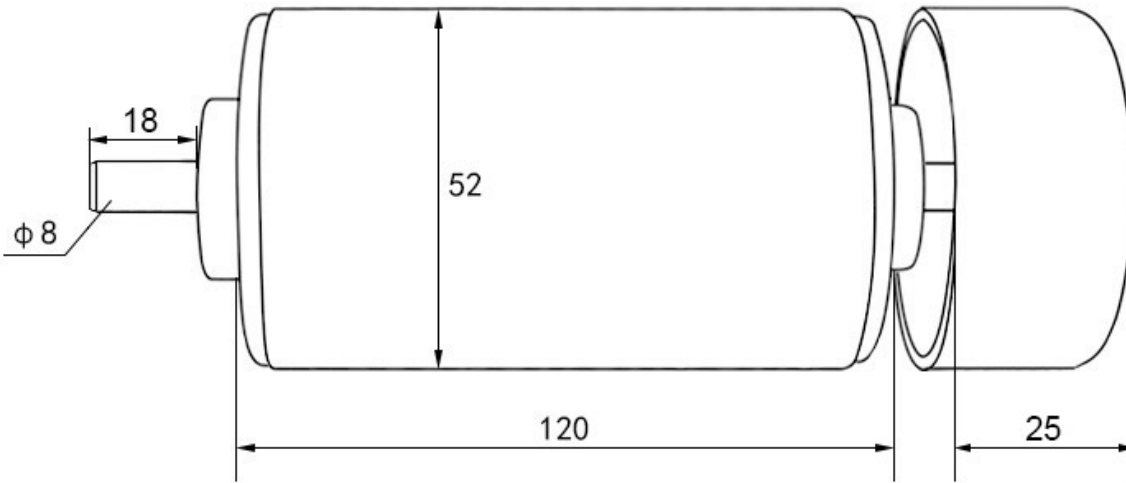
Starting Current: 12A

POWER: 800W

Toque: 800mN.m

Speed: 20000rpm

Diam: 52mm



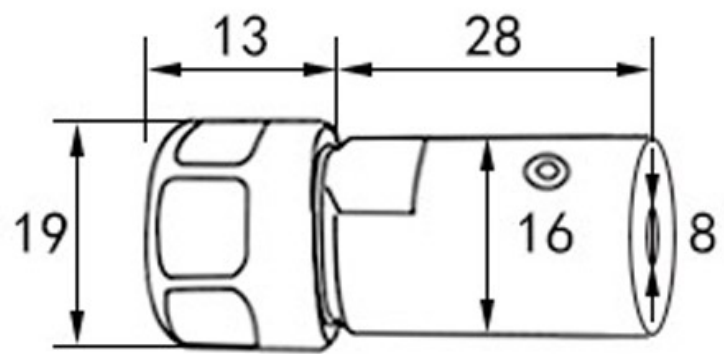
Unit: mm



②ER11-8 CHUCK

ER11 chuck (fit for ER11 collet 1-7mm)

End aperture: 8mm (fit for $\varphi 8$ motor shaft)

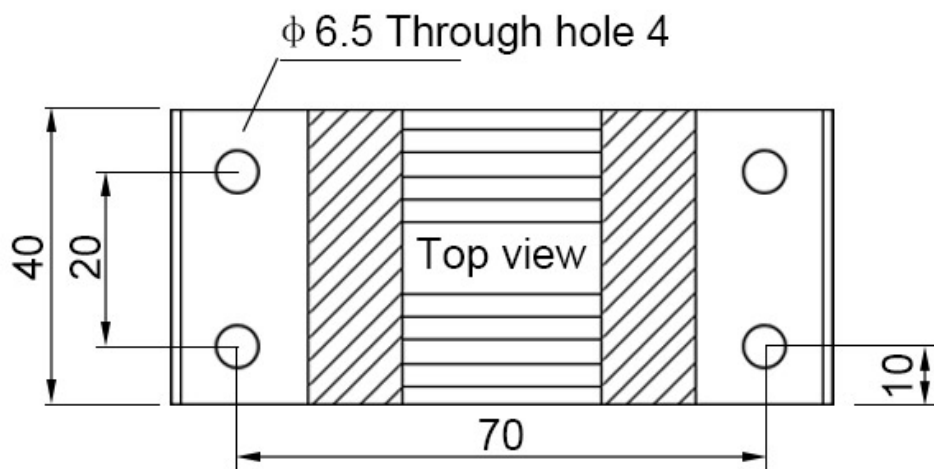
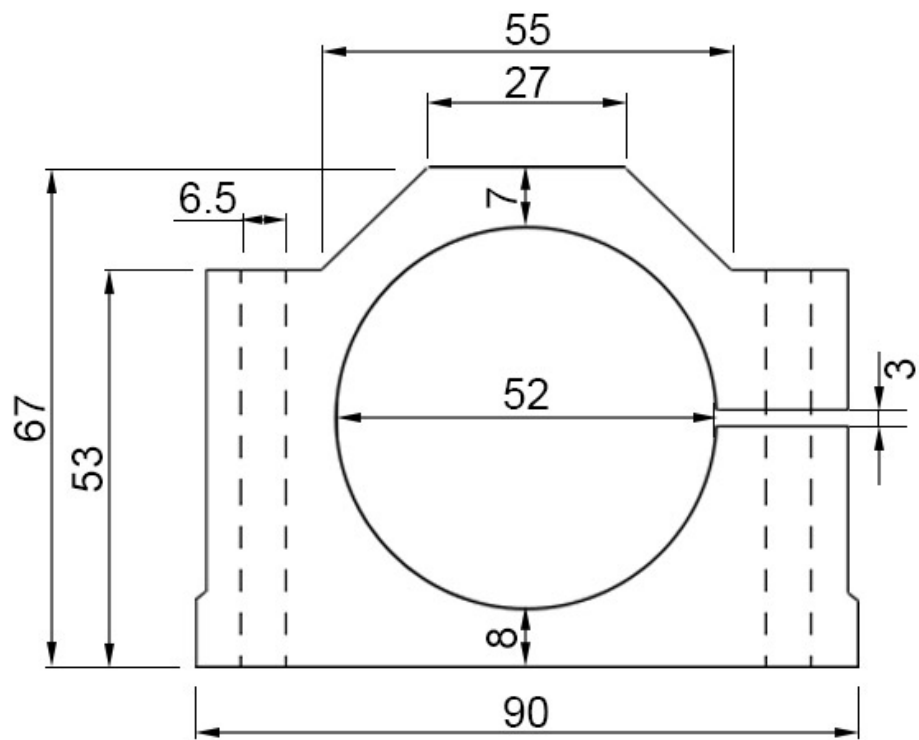


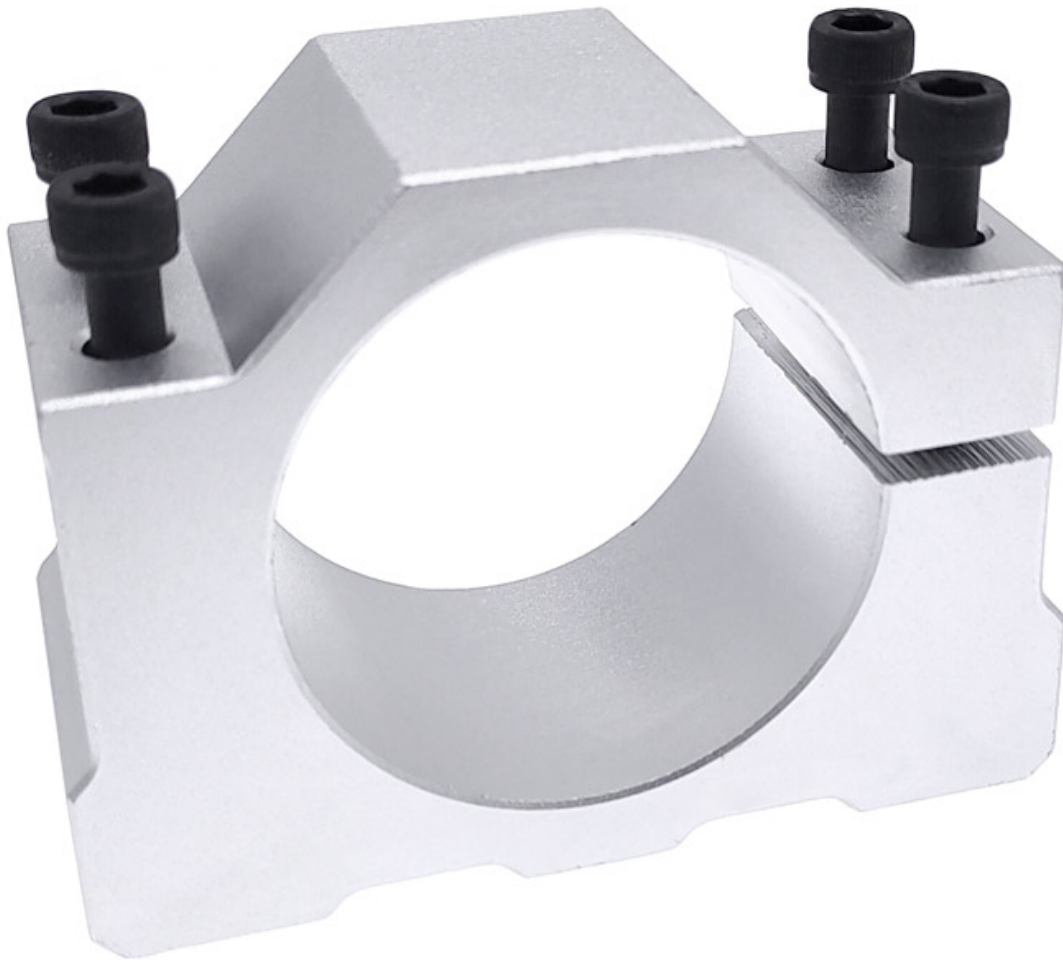
Unit: mm



③52mm Spindle Fixed Mounting Base

Material: aluminum alloy





④800W Adjustable Speed Power Switch

Model : WK811

Input voltage: 110-220VAC

Output voltage: 0-110VDC

Current : 8A

Excitation : 1A

Max POWER: 800W

⑤ER11 Collet

ER11 collet set (1mm/1.5mm/2mm/2.5mm/3mm/3.175mm/4mm/5mm/6mm/6.35mm/7mm)

tips:3.175=1/8

6.35=1/4

Size:

1mm,1.5mm,2mm,2.5mm,3mm,3.175mm,4mm,5mm,6mm,6.35mm,7mm



External diameter
11.3mm



The Description

ОПИСАНИЕ

