

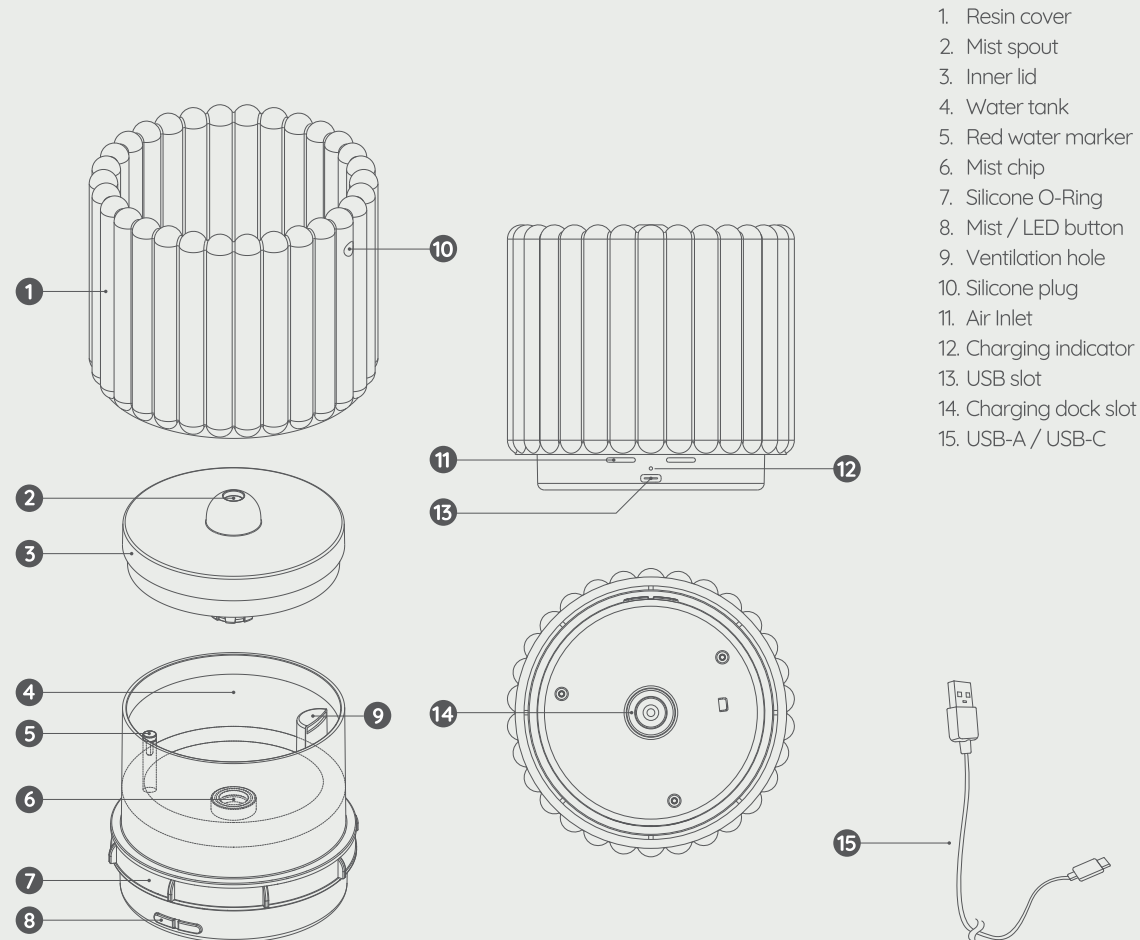


封底

封面

Overview

Main body

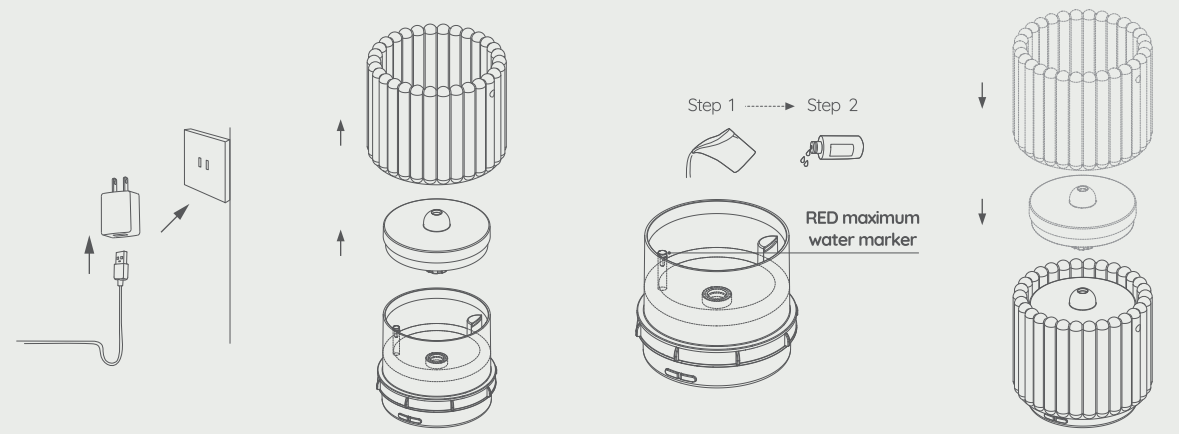


- 1. Resin cover
- 2. Mist spout
- 3. Inner lid
- 4. Water tank
- 5. Red water marker
- 6. Mist chip
- 7. Silicone O-Ring
- 8. Mist / LED button
- 9. Ventilation hole
- 10. Silicone plug
- 11. Air Inlet
- 12. Charging indicator
- 13. USB slot
- 14. Charging dock slot
- 15. USB-A / USB-C

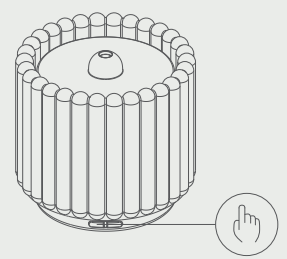
• Please read and keep the instruction manual carefully.

Operating Instructions

• Always place your diffuser on a firm, flat and leveled surface.



- 1. Plug the provided charging cable to the device, connect it with any DC 5V 1A USB adapter for charging.
Charging time: 8hrs
Working time: Up to 8hrs
- 2. Remove the resin cover and inner lid.
- 3. Fill water to the water tank. Add 10-15 drops of your favourite essential oils.
- 4. Replace the inner lid and resin cover.



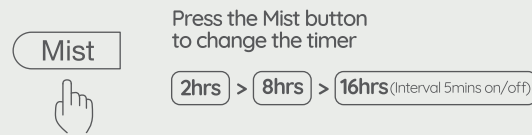
5. Press the Mist button to start the device.

Caution:

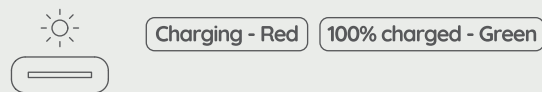
- 1. Be sure to hold the whole product with the base carefully when moving the product. Handle this product with care to avoid impacts or drops.
- 2. The unit should be placed on a leveled solid surface. Do not place it on carpets, rugs, wooden/polished furniture or unstable surfaces.
- 3. Use a suitable measuring cup to fill water into the water tank. Never attempt to fill water under a running tap or whilst plugged in.
- 4. The water level should not exceed the water marker to avoid damage to this device.
- 5. Keep water away from ventilation hole and Air Inlet.
- 6. For best result, we recommend to use natural essential oil with this scent diffuser. Artificial fragrance, flavor, or impurities might harm to the unit.
- 7. Adjust the amount of essential oil use to fit your personal preferences.
- 8. Always unplug the product from electrical socket when not in use.
- 9. Do not remove the resin cover or inner lid during operation.

Setting Instructions

Mist



Charging indicator



LED Light

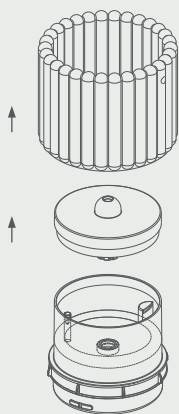


Note:

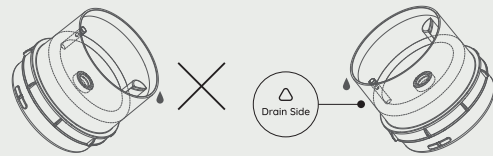
1. A slight difference in mist output amount by different units is normal.
2. Water, humidity, temperature and air flow might affect the mist amount.
3. This device has a safety trigger with an automatic shut-off function when it experiences empty water tank or when it is tipped over.

Cleaning and Maintenance

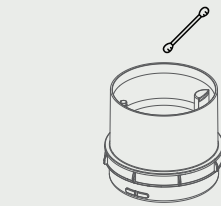
- Always remove the USB from the device before cleaning.



1. Hold the base and remove the resin cover and inner lid.



2. Pour all the remaining water out from the drain side.



3. Use a cotton swab and neutral detergent to clean the device no less than twice a week. Remember to rinse thoroughly after cleaning.

Caution:

- Make sure not to spill water into the ventilation hole and air inlet as it may cause malfunctioning.
- Never soak or wash this product directly as it may cause mechanical malfunction or danger.
- Never use acidic cleaning agent as it may harm the device.
- Use cotton swab to clean the unit after each use. Rinse with tap or spring water, then wipe with a dry cloth.
- Clean the water tank before changing into another essential oil.
- Use tap water or spring water.
- Allow to dry thoroughly after use/ cleaning.

Mandatory Safety

- Never use the product for the proposes other than listed on this manual.
- Read the instruction manual before using this product.
- Remove all packaging before use.
- Use only the USB contained in the package to avoid damage to the product.
- When unplugging the USB, set your hand on the adaptor body instead of pulling the cord.
- After fully charged the device, please unplug the USB or take out from the charging dock.
- If the unit is not intended to be used for an extended period of time or needed to be relocated, unplug the USB, dispose water in the water tank and clean the unit before storage.
- Avoid moving the unit while in use, or carefully holding the whole product with base.
- The precautions listed in this manual are to ensure safe and proper use of this product by the user, and to avoid any danger or loss that might occur to the user or others.
- "WARNING" contains important safety instructions. Be sure to follow these instructions.
- If you have any special medical conditions, such as pregnancy, lung failure, cancer, epilepsy, or other illnesses, please consult your doctor before using essential oils. Stop using the product and open the windows for ventilation if you start to feel uncomfortable.
- Essential oils are highly concentrated and should always be handled with care, including the amount for each use.
- Do not handle the main unit and outlet with wet hands, or let water or other liquids spill onto them, as this may result in electric shocks.
- Do not let children use this product. Keep out of reach of children as electric shock and injury may occur. Children should be properly supervised to ensure that they will not play with this product.
- To avoid fire, electric shock, injury or damage, do not place the product in the areas listed below :
 - Environments exposed to direct sunlight or with high temperatures.
 - Sources of ignition such as pressurized objects and combustibles.

Warning

- This device is not intended for use by persons with reduced physical or cognitive capacities without the necessary experience or knowledge, unless they have been trained to use the device correctly by a person responsible for their safety and have understood the risks involved.
- Stop using the product immediately and unplug the device once smoke, smell, unusual sounds or other anomalies occur.
- Do not modify, fix or dismantle this product, as fire, electric shock or damage may occur.
- When the product is at the end of its life, we recommend disposal at a collection point for the recycling of electrical and electronic equipment, rather than with household waste.
- When the product remains unused for a long period of time, remove all the water and unplug it from the electric socket to avoid electric shock malfunctioning.
- Make sure to charge the device once within 3 months, it is recommended to maintain a certain amount of battery level or it might affect battery health.
- Keep the product away from heat sources and high-pressured places.
- Do not break or damage the product.
- Make sure to use the device within below temperature range, otherwise it might affect the battery life.
Charging: 0 °C - 45 °C / Working: 0 °C - 50 °C
- This product must be disconnected from the power sources before cleaning and maintenance.
- Please avoid dripping essential oil onto the exterior of the product or any surrounding furnitures. If essential oil dripping accidentally occurs, wipe off immediately to avoid discoloration of the product or the furniture.
- This product is not a medical equipment. Directly inhaling aroma mist from the spout is not recommended.

Product Dimensions

Product name:	Soni SM
Serial no.:	SSAW-001
Product size:	Ø130 x 120mm
Material:	Resin + PP
Power input:	5V \approx 1A
Battery:	3.6V \approx 6700mAh
Main unit weight:	1000g
Water tank capacity:	120ml
Coverage area:	Up to 800 sq.-ft.
Run time:	2 / 8 / 16hrs (Intermittent)

Made in China
SSAW LLC
seasonslife.com



Product Warranty

Thank you for your purchase. The products carry a limited 12-month warranty on manufacturer defects. Please contact Seasons for after sales enquiries or product maintenance.

Proof of purchase will be required. Warranty does NOT cover:

- Damage of accessories due to often use /depreciation
- Damage due to abuse or improper use of the product
- Damage of non-household use (ie natural disaster, commercial use)
- Fail to provide any proof of product damage & purchase

We reserves the right for final decision of free product maintenance provided within mentioning period and any other conditions.

Product name : _____

Model no. : _____

Batch no : _____

Point of purchase: _____

Date of purchase: _____

Troubleshooting

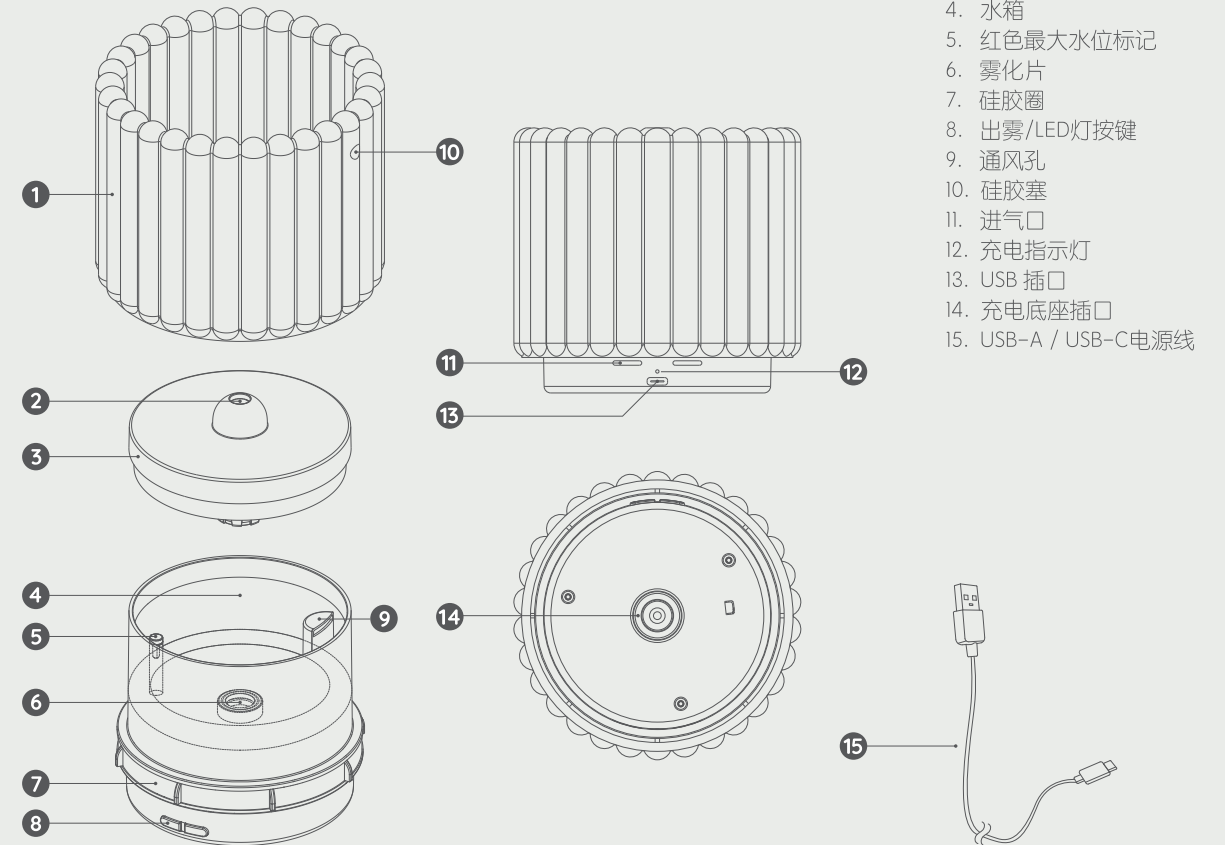
If you experienced unsatisfactory operations, please follow our troubleshooting guidelines listed below.

Symptom	Possible Cause	Solution
Diffuser does not turn on/diffuser shuts off before set time is over.	Not enough water in the water tank	Add water to water tank until it reaches the RED Maximum water marker.
	No Battery	Please use the provided USB-C power cord to charge the diffuser. The USB-C compatible with any DC 5V 1A adapter (can be used with Apple iPhone's adapter/ Samsung cell phone's adapter).
No mist or abnormal mist	Normal LED light but no mist.	1. Check the water level. The water level should not be higher than the red water marker. 2. Ensure to use tap water or spring water. 3. Make sure to press the correct mist button, LED light can work individually. 4. Avoid placing the product on soft or uneven surfaces as this will block the air inlet. 5. Defective mist chip, please contact Seasons.
	Mist chip with oil residue. Air inlet at the bottom of the diffuser is blocked?	Please follow instructions on cleaning and maintenance. Clean the air inlet. A partially blocked inlet may interfere with the level of mist output.
Water Leak	Temperature and humidity levels can cause the mist to quickly condense into droplets.	Adjust room temperature and humidity levels to compensate.

• Do not attempt to dismantle or repair the product by yourself. If the unit still does not operate satisfactorily, please contact Seasons.

产品概览

主体

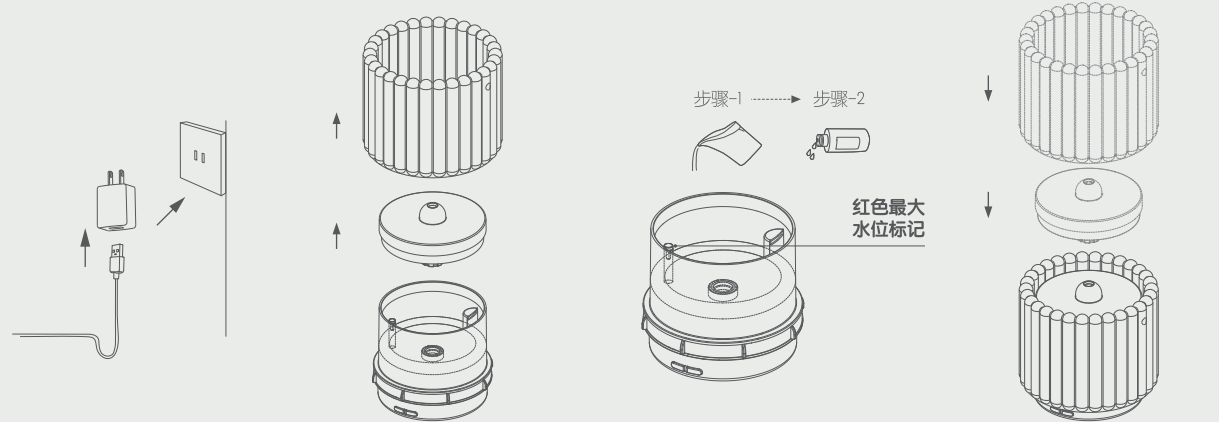


1. 树脂外罩
2. 出雾口
3. 内盖
4. 水箱
5. 红色最大水位标记
6. 雾化片
7. 硅胶圈
8. 出雾/LED灯按键
9. 通风孔
10. 硅胶塞
11. 进气口
12. 充电指示灯
13. USB 插口
14. 充电底座插口
15. USB-A / USB-C电源线

• 使用产品前请仔细阅读本使用说明书，并请妥善保管。

操作说明

- 始终将香薰机放在稳固、平坦和水平的表面上。

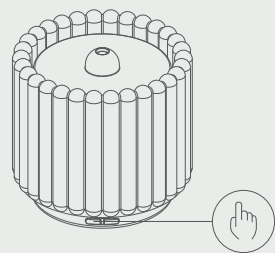


1. 将提供的充电线插入设备，连接到任何直流5V 1A USB适配器进行充电。
充电时间:8小时
工作时间:可达8小时

2. 向上分别取下树脂外罩和内盖。

3. 向水箱注入水，水位不能超过红色最大水位标记。
加入10-15滴你最喜欢的精油。

4. 向下分别盖上内盖和树脂外罩。



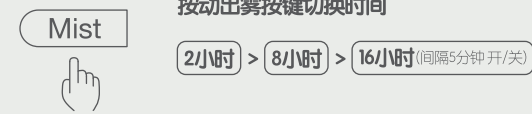
5. 按下出雾按键启动设备。

警告:

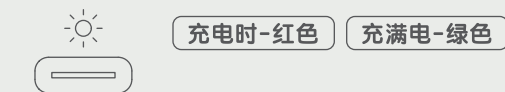
1. 移动产品时，一定要小心地握住整个产品和底座。小心轻放，避免碰撞或跌落。
2. 设备应放置在平整的固体表面上。请勿将其放在地毯、毛毯、木制/抛光家具或不稳定表面。
3. 使用合适的量杯向水箱注水，切勿尝试在插上电源线的水龙头下注水。
4. 水位不能超过红色最大水位标记，以免损坏设备。
5. 通风孔和进风口应远离水。
6. 为了达到最好的效果，我们建议使用天然精油搭配此香薰机。人工香料、香精或杂质可能对设备造成危害。
7. 根据个人喜好调整精油用量。
8. 不使用时，请将产品从电源插座上拔下。
9. 操作过程中请勿拆卸树脂外罩或内盖。

按键说明

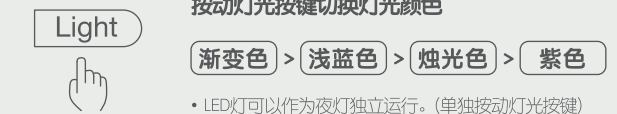
出雾/定时



充电指示灯



LED 灯光



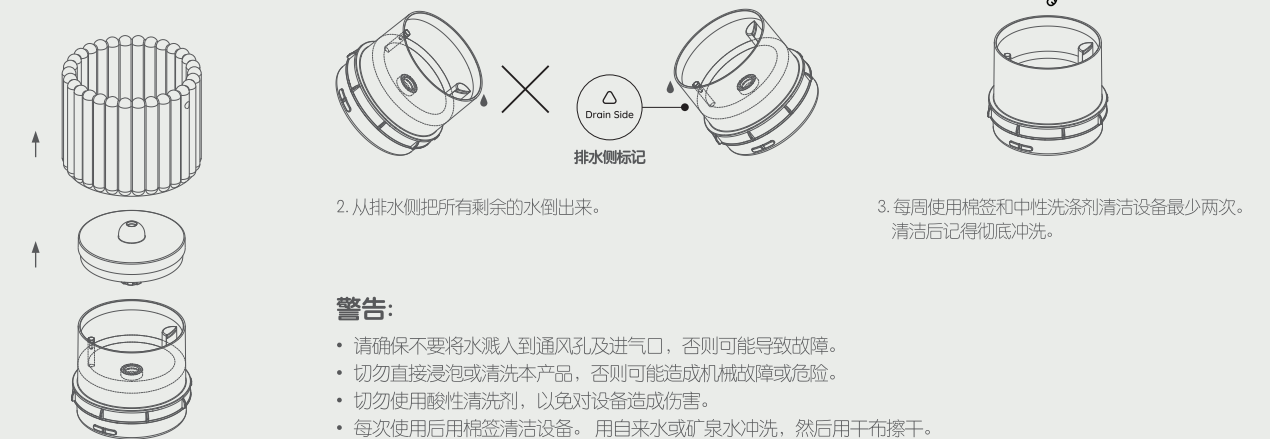
- LED灯可以作为夜灯独立运行。(单独按动灯光按键)
- 当设备电量过低时，会出现红色LED闪灯。

备注:

1. 不同单位的雾化量略有差异是正常的。
2. 水、湿度、温度和气流都可能影响出雾量。
3. 该设备具有安全触发功能，当水箱空了或倾倒下时，将自动关闭。

清洁 & 保养

- 清洁前，请务必将USB电源线与设备断开。



1. 按住底座，取下树脂外罩和内盖。

2. 从排水侧把所有剩余的水倒出来。

3. 每周使用棉签和中性洗涤剂清洁设备最少两次。
清洁后记得彻底冲洗。

警告:

- 请确保不要将水溅入到通风孔及进气口，否则可能导致故障。
- 切勿直接浸泡或清洗本产品，否则可能造成机械故障或危险。
- 切勿使用酸性清洗剂，以免对设备造成伤害。
- 每次使用后用棉签清洁设备。用自来水或矿泉水冲洗，然后用干布擦干。
- 更换其他精油前，请先清洗水箱。
- 使用自来水或矿泉水。
- 使用/清洁后彻底晾干。

强制性安全

- 切勿将产品用于本手册所列之外的其他用途。
- 使用本产品前请阅读使用说明书。
- 使用前请去除本产品所有的包装。
- 为避免损坏本产品，请仅使用包装内附带的USB电源线。
- 拔下USB电源线时，请将手按住适配器，而不是直接拉电源线。
- 设备充满电后，请拔出USB插头或从充电底座中取出。
- 如果设备长期不使用或需要移动位置，请拔下USB电源线，在收纳前需清空水箱并清洁本产品。
- 避免在使用时移动设备，需小心地用手在底座托住整个产品。
- 本手册中列出的注意事项是为了确保用户安全、正确地使用本产品，避免给用户或他人带来任何危险或损失。
- “警告”包含重要的安全说明，请务必遵循这些说明。

警告

- 本设备不适合没有必要经验或知识的人或认知能力下降的人使用，除非他们经过其安全负责人正确指导如何使用本产品并充分了解可能存在风险。
- 一旦出现冒烟、异味、异常声音或其他异常现象，请立即停止使用产品并拔下设备电源插头。
- 请勿擅自改装、维修或拆卸本产品，否则可能会导致火灾、触电或损坏。
- 当产品报废时，我们建议在电气和电子设备的回收点进行处理，而不是与家庭垃圾一起处理。
- 产品长期不用时，请将水倒掉并从电源插座上拔下插头，以免触电故障。
- 请务必在3个月内为设备充电一次，建议保持一定的电池电量，否则可能会影响电池质量。
- 使产品远离热源和高压场所。
- 不要破坏或损坏产品。
- 请务必在以下温度范围内使用设备，否则可能会影响电池寿命。
充电：0°C - 45°C / 工作：0°C - 50°C
- 请在清洁和维护之前必须将产品与电源断开。
- 请避免将精油滴到产品的外部或家具上。如果不慎滴落，请立即擦去，以免产品外部或家具变色。
- 本产品不是医疗设备，不建议直接从出雾口吸入香薰雾。

- 如果您有任何特殊的身体状况，例如怀孕、肺衰竭、癌症、癫痫或其他疾病，请在使用精油前咨询您的医生。如果您开始感到不适，请停止使用本产品并打开窗户保持通风。
- 精油是高度浓缩的，应谨慎使用，包括每次的使用量。
- 请勿用潮湿的手操作主机和插座，或让水或其他液体溅到其上，否则可能会导致触电。
- 不要让儿童使用本产品。请勿让儿童接触，以免发生触电和伤害。应妥善监督儿童以确保他们不会玩弄本产品。
- 为避免火灾、触电、伤害或损坏，请勿将产品放置在下列区域：
 - 直接暴露在阳光直射和高温的环境中。
 - 火源，如受压物体和可燃物。

产品规格

产品名称：	Soni SM 便携式超声波香薰机
型号：	SSAW-001
产品尺寸：	Ø130 x 120mm
材料：	树脂、塑料
电源输入：	5V --- 1A
电池：	3.6V --- 6700mAh
主机重量：	1000g
水箱容量：	120ml
覆盖范围：	可达75m²
运行时间：	2 / 8 / 16小时 (间歇)

中国制造
SSAW LLC
seasonslife.com



产品质量保证

感谢您的购买。制造商对产品缺陷提供12个月的有限保修。请联系SEASONS进行售后查询或产品保修。

- 需要提供购买证明。保修不包括：
- 由于经常使用/折旧造成的配件损坏
 - 由于滥用或不当使用产品造成的损坏
 - 非家庭用途的损坏（即自然灾害、商业用途）
 - 未能提供任何产品损坏和购买证明

我们保留在提及期限内和任何其他条件下提供免费产品保修的最终决定权。

产品名称：_____

型号：_____

批号：_____

购买地点：_____

购买日期：_____

故障排除

如果您遇到了操作问题，请遵循我们下面列出的故障排除指南。

状况	可能的原因	解决方案
香薰机不能开启/ 香薰机在设定 时间结束前关闭。	水箱里没有 足够的水。 没电	向水箱中加水，水位不能超过红色水位标记。 请使用提供的USB-C电源线给香薰机充电。 USB-C兼容任何直流5V 1A适配器(可使用苹果 iPhone的适配器/三星手机的适配器)。
无雾或异常雾	LED灯正常， 但无雾。	1. 检查水位。水位不应高于红色水位标记。 2. 确保使用自来水或矿泉水。 3. 确保按下正确的出雾按键，LED灯可以 单独工作。 4. 避免将产品放置在柔软或不平整的表面， 因为这会阻塞进气口。 5. 雾化芯片有问题，请您联系SEASONS。
	雾化片有精油 残留物。 香薰机底部 进气口堵塞?	请按照清洁和维护说明操作。 清洁进风口，部分堵塞的进风口可能会干扰 雾的输出水平。
漏水	温度和湿度会使雾 迅速凝结成水滴。	调整房间的温度和湿度进行改善。

- 请勿尝试自行拆卸或修理产品。如果设备仍不能令人满意地运行，请联系SEASONS。