

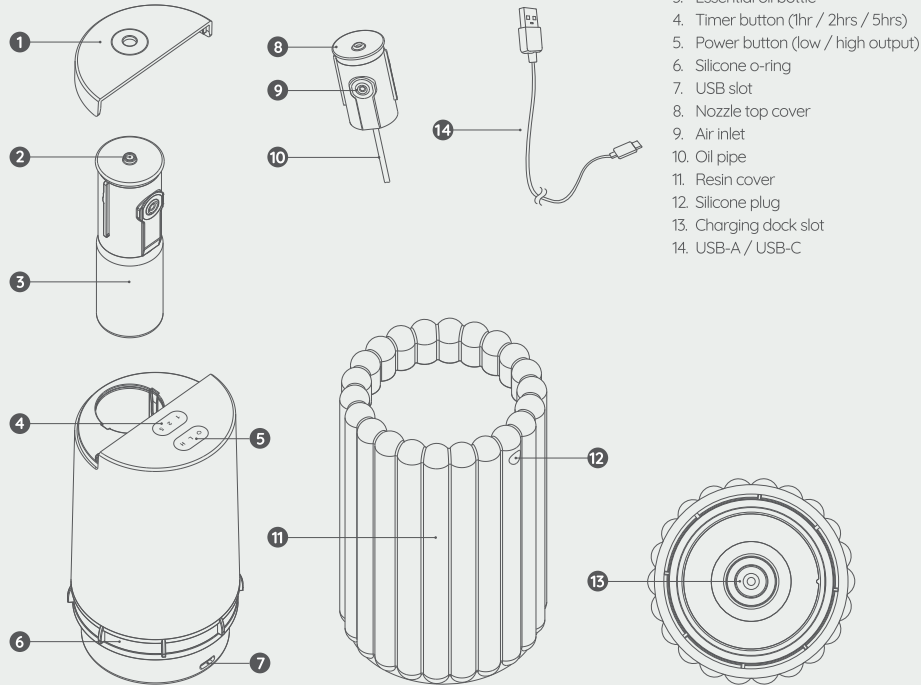


封底

封面

Overview

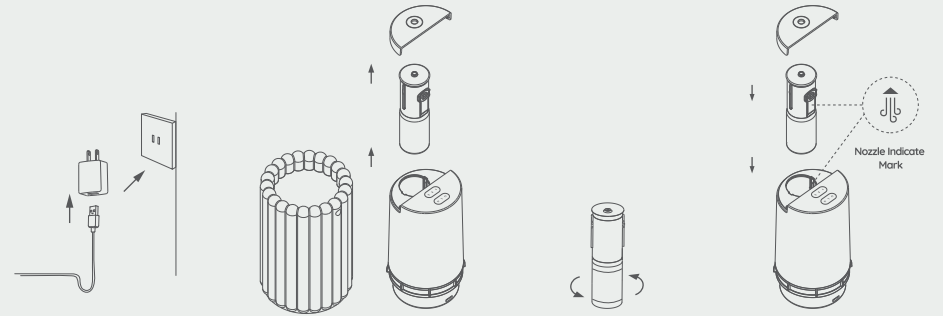
Main body



• Please read and keep the instruction manual carefully.

Operating Instructions

• Always place your diffuser on a firm, flat and leveled surface.

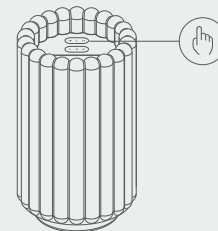


1. Plug the provided charging cable to the device, connect it with any DC 5V 1A USB adapter for charging. Charging time: 5H Working time: Up to 11 hrs

2. Remove the resin cover and inner lid. Pull up the nozzle and remove it from the main body.

3. Hold the nozzle and rotate the bottle in clockwise. Fill up the oil into the original bottle or change your favourite essential oil bottle. Hold the nozzle and rotate the bottle in anti-clockwise to secure.

4. Insert the nozzle (with bottle) to the main body. Press down the nozzle perfectly and make sure the nozzle is lined up with the nozzle indicate mark. Place back the inner lid and resin cover.



5. Press the power button to start the device.

Note:

- For best result, we recommend using 100% pure essential oil with this atomizing diffuser. Artificial fragrance, flavour, or impurities might harm to the unit.
- Do not remove the nozzle and moving the device during operation.
- Keep the atomizing diffuser on a stable and flat surface. Carpet, cushions, or other uneven surfaces might affect the ventilation system.
- Use any 5ml, 10ml or 15ml of your favourite essential oil bottle or the default oil bottle to this atomizing diffuser. You may cut the oil pipe to fit in different size of the bottle. (Make sure to cut from the flat part as the non-flat part is for oil absorption.)

Setting Instructions

Power



Press the button to start the device.

Low > High

Low: 5mins on/ 10mins off interval
High: 5mins on/ 5mins off interval

LED Light



Long press the power button to wait for the LED light to switch by itself and stop pressing when it switches to your preferred color.

Rotate > Light Blue > Candlelight > Purple > Off

• Flashing red light will appear when the device is in low battery.

Timer



Press the button to change the timer

1hrs > 2hrs > 5hrs

Charging Indicator

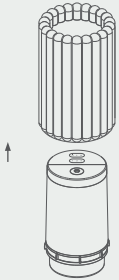


Charging - Flashing LED

100% Charged - LED keep on

Cleaning and Maintenance

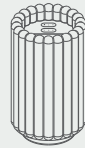
• Always remove the USB from the device before cleaning.



1. Hold the base and remove the resin cover and inner lid.



2. Fill the rubbing alcohol to the empty bottle.
The rubbing alcohol should be under 75% concentration



3. Plug in and turn on the atomizing diffuser for 5mins.



4. Turn off the diffuser after 5mins, remove the nozzle and take out the nozzle top cover.



5. Use cotton swap to dip the rubbing alcohol, brush softly to clean the nozzle.

Note :

- Never use the alcohol with over 75% concentration, it might hurt the machine.
- Alcohol is flammable, keep the indoor air circulation to prevent fire occur.
- For best result, clean the nozzle 1-2times per week.
- Clean the nozzle and change the oil pipe before change any other of the essential oil.
- Strength of aroma will vary depending on settings and different types of oil.
- Find the settings that fit your needs.
- Use only pure natural essential oils to prevent damaging the diffuser components.



Make sure do not tilt down the nozzle or device as the oil will leak and might harm the device.



Mandatory Safety

- Never use the product for the proposes other than listed on this manual.
- Read the instruction manual before using this product.
- Remove all packaging before use.
- Use only the USB contained in the package to avoid damage to the product.
- When unplugging the USB, set your hand on the adaptor body instead of pulling the cord.
- After fully charged the device, please unplug the USB or take out from the charging dock.
- If the unit is not intended to be used for an extended period of time or needed to be relocated, unplug the USB, remove the essential oil bottle and clean the unit before storage.
- Avoid moving the unit while in use, or carefully holding the whole product with base.
- The precautions listed in this manual are to ensure safe and proper use of this product by the user, and to avoid any danger or loss that might occur to the user or others.
- "WARNING" contains important safety instructions. Be sure to follow these instructions.

Warning

- This device is not intended for use by persons with reduced physical or cognitive capacities without the necessary experience or knowledge, unless they have been trained to use the device correctly by a person responsible for their safety and have understood the risks involved.
- Stop using the product immediately and unplug the device once smoke, smell, unusual sounds or other anomalies occur.
- Do not modify, fix or dismantle this product, as fire, electric shock or damage may occur.
- When the product is at the end of its life, we recommend disposal at a collection point for the recycling of electrical and electronic equipment, rather than with household waste.
- When the product remains unused for a long period of time, remove the essential oil bottle and unplug it from the electric socket to avoid electric shock malfunctioning.
- Make sure to charge the device once within 3 months, it is recommended to maintain a certain amount of battery level or it might affect battery health.
- Keep the product away from heat sources and high-pressured places.
- Do not break or damage the product.
- Make sure to use the device within below temperature range, otherwise it might affect the battery life.
Charging: 0 °C - 45 °C / Working: 0 °C - 50 °C
- This product must be disconnected from the power sources before cleaning and maintenance.
- Please avoid dripping essential oil onto the exterior of the product or any surrounding furnitures. If essential oil dripping accidentally occurs, wipe off immediately to avoid discoloration of the product or the furniture.
- This product is not a medical equipment. Directly inhaling aroma mist from the spout is not recommended.

- If you have any special medical conditions, such as pregnancy, lung failure, cancer, epilepsy, or other illnesses, please consult your doctor before using essential oils. Stop using the product and open the windows for ventilation if you start to feel uncomfortable.
- Essential oils are highly concentrated and should always be handled with care, including the amount for each use.
- Do not handle the main unit and outlet with wet hands, or let water or other liquids spill onto them, as this may result in electric shocks.
- Do not let children use this product. Keep out of reach of children as electric shock and injury may occur. Children should be properly supervised to ensure that they will not play with this product.
- To avoid fire, electric shock, injury or damage, do not place the product in the areas listed below:
 - Environments exposed to direct sunlight or with high temperatures.
 - Sources of ignition such as pressurized objects and combustibles
- Not recommended to use base notes oil to run the machine, especially the Vetiver and Sandalwood.

Product Dimensions

Product name:	Aero SM
Serial no.:	SSAW-002
Product size:	Ø90 x 155mm
Material:	Resin + PP
Power input:	5V = 1A
Battery:	3.6V = 2500mAh
Main unit weight:	795g
Coverage area:	Up to 1200 sq.-ft.
Run time:	1 / 2 / 5hrs
Suitable Essential Oil:	Any of 5ml - 15ml bottles

Made in China
SSAW LLC
seasonslife.com



Product Warranty

Thank you for your purchase. The products carry a limited 12-month warranty on manufacturer defects. Please contact Seasons for after sales enquiries or product maintenance.

Proof of purchase will be required. Warranty does NOT cover:

- Damage of accessories due to often use /depreciation
- Damage due to abuse or improper use of the product
- Damage of non-household use (ie natural disaster, commercial use)
- Fail to provide any proof of product damage & purchase

We reserves the right for final decision of free product maintenance provided within mentioning period and any other conditions.

Product name : _____

Model no. : _____

Batch no : _____

Point of purchase: _____

Date of purchase: _____

Troubleshooting

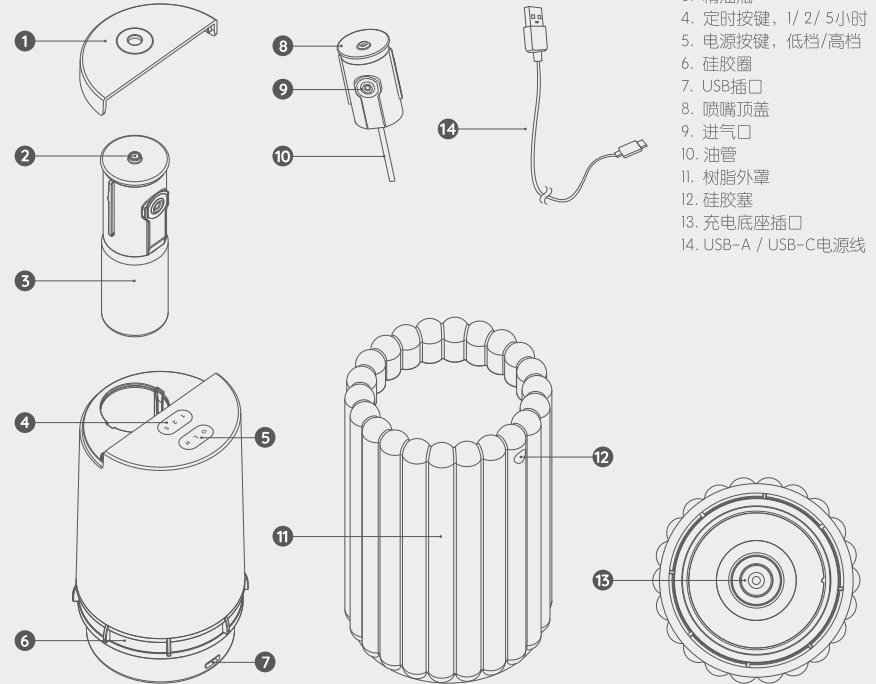
If you experienced unsatisfactory operations, please follow our troubleshooting guidelines listed below.

Symptom	Possible Cause	Solution
Diffuser does not turn on/diffuser shuts off before set time is over.	No Battery	Please use the provided USB-C power cord to charge the diffuser. The USB-C compatible with any DC 5V 1A adapter (can be used with Apple iPhone's adapter/ Samsung cell phone's adapter).
The device is on but no mist	Nozzle did not attach securely	Remove the nozzle and reinstall to the slot correctly.
	The oil bottle in empty or the oil level lower than the end of the oil pipe	Add more essential oil, change another oil bottle or the oil pipe.
	Using only the base notes oil to run the machine	Mix with middle/top notes oil or use other oil to run the machine.
	Oil pipe did not attach securely to the nozzle	Reinsert the oil pipe into the nozzle correctly.
Oil is leaking from the nozzle / diffuser / bottle	The nozzle / diffuser / bottle is in a tilt or set on side status.	Always put them on a stable and flat surface. Never tilt or set on side the diffuser and nozzle.

- Do not attempt to dismantle or repair the product by yourself. If the unit still does not operate satisfactorily, please contact Seasons.

产品概览

主体

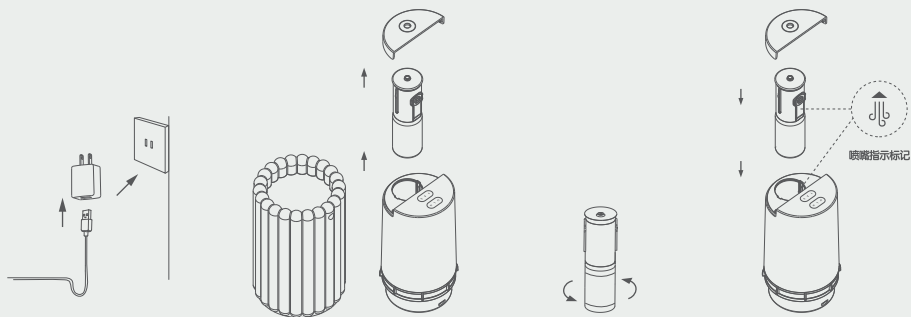


1. 内盖
2. 出雾口
3. 精油瓶
4. 定时按键, 1/ 2/ 5小时
5. 电源按键, 低档/高档
6. 硅胶圈
7. USB插口
8. 喷嘴顶盖
9. 进气口
10. 油管
11. 树脂外罩
12. 硅胶塞
13. 充电底座插口
14. USB-A / USB-C电源线

• 使用产品前请仔细阅读本产品使用说明书, 并妥善保管。

操作说明

- 始终将香薰机放在稳固、平坦和水平的表面上。

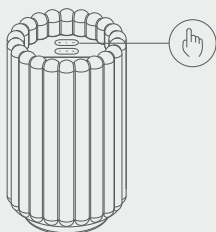


1. 将提供的充电线插入设备，连接到任何直流5V 1A USB适配器进行充电。
充电时间: 5小时
工作时间: 可达1小时

2. 向上分别取下树脂外罩和内盖。向上拉起喷嘴并将其从机身上拿出。

3. 握住喷嘴，顺时针拧开瓶子。将精油加满在原装瓶子或更换为您喜欢的精油瓶。握住喷嘴，逆时针拧紧瓶子。

4. 将喷嘴(带瓶子)插入机体。完全压下喷嘴，并确保喷嘴与喷嘴指示标记对齐。向下盖上内盖和树脂外罩。



5. 按下电源按键启动设备。

警告:

- 为了达到最好的效果，我们建议使用100%纯精油搭配此雾化香薰机。人工香料、香精或杂质可能对设备造成危害。
- 操作过程中请勿拆下喷嘴和移动设备。
- 保持雾化香薰机在稳定平坦的表面上。地毯、靠垫或其他不平整的表面可能会影响通风系统。
- 使用您最喜欢的精油瓶 (5ml, 10ml或15ml) 或原装的精油瓶于此雾化香薰机。您可以剪切油管以适应不同尺寸的瓶子。(请务必从平口部分剪切，因为斜口部分更方便吸取精油。)

按键说明

电源



按动电源按键启动设备

低档 > 高档

低档: 开启5分钟/关闭0分钟 间歇
高档: 开启5分钟/关闭5分钟 间歇

LED 灯光



长按电源按键等待LED灯自动切换，当它切换到您喜欢的颜色时松开按键

渐变色 > 浅蓝色 > 烛光色 > 紫色 > 关闭

• 当设备电量过低时，会出现红色LED灯闪烁。

定时



按动定时按键切换时间

1小时 > 2小时 > 5小时

充电指示灯



充电中 - LED灯闪烁 充满电 - LED灯长亮

清洁 & 保养

- 清洁前，请务必将USB电源线与设备断开。



2. 将外用酒精倒入空精油瓶中。
* 外用酒精浓度应低于75%*

3. 放入并打开香薰机5分钟。

4. 5分钟后关闭香薰机，取出喷嘴，并向上拔出喷嘴顶盖

5. 用棉签蘸上酒精，轻刷以清洁喷嘴。

警告:

- 切勿使用浓度超过75%的酒精，以免损坏机器。
- 酒精是易燃的，请保持室内空气流通，防止火灾发生。
- 为达到最佳效果，建议每周清洗1-2次喷嘴。
- 在更换任何其他精油之前，请先清洁喷嘴并更换油管。
- 香气的强弱取决于不同的环境和不同类型的油。找到适合你需要的设置。
- 仅使用纯天然精油，以防止损坏扩散部件。

⚠ 请不要将喷嘴或设备向下倾斜，因为精油会泄漏，可能会损坏设备。



强制性安全

- 切勿将产品用于本手册所列之外的其他用途。
- 使用本产品前请阅读使用说明书。
- 使用前请去除本产品所有的包装。
- 为避免损坏本产品，请仅使用包装内附带的USB电源线。
- 拔下USB电源线时，请将手按住适配器，而不是直接拉电源线。
- 设备充满电后，请拔出USB插头或从充电底座中取出。
- 如果设备长期不使用或需要移动位置，请拔下USB电源线，在收纳前需取出精油瓶并清洁本产品。
- 避免在使用时移动设备，需小心地用手在底座托住整个产品。
- 本手册中列出的注意事项是为了确保用户安全、正确地使用本产品，避免给用户或他人带来任何危险或损失。
- “警告”包含重要的安全说明。请务必遵循这些说明。

警告

- 本设备不适合没有必要经验或知识的人或认知能力下降的人使用，除非他们经过其安全负责人正确指导如何使用本产品并充分了解可能存在风险。
- 一旦出现冒烟、异味、异常声音或其他异常现象，请立即停止使用产品并拔下设备电源插头。
- 请勿擅自改装、维修或拆卸本产品，否则可能会导致火灾、触电或损坏。
- 当产品报废时，我们建议在电器和电子设备的回收点进行处理，而不是与家庭垃圾一起处理。
- 产品长期不用时，请取出精油瓶并从电源插座上拔下插头，以免触电故障。
- 请务必在3个月内为设备充电一次，建议保持一定的电池电量，否则可能会影响电池质量。
- 使产品远离热源和高压场所。
- 不要破坏或损坏产品。
- 请务必在以下温度范围内使用设备，否则可能会影响电池寿命。
充电：0°C - 45°C / 工作：0°C - 50°C
- 请在清洁和维护之前必须将产品与电源断开。
- 请避免将精油滴到产品的外部或家具上。如果不慎滴落，请立即擦拭干净，以免产品外部或家具变色。
- 本产品不是医疗级设备，不建议直接从出雾口吸入香薰雾。

- 如果您有任何特殊的身体状况，例如怀孕、肺衰竭、癌症、癫痫或其他疾病，请在使用精油前咨询您的医生。如果您开始感到不适，请停止使用本产品并打开窗户保持通风。
- 精油是高度浓缩的，应谨慎使用，包括每次的使用量。
- 请勿用潮湿的手操作主机和插座，或让水或其他液体溅到其上，否则可能会导致触电。
- 不要让儿童使用本产品。请勿让儿童接触，以免发生触电和伤害。应妥善监督儿童以确保他们不会玩本产品。
- 为避免火灾、触电、伤害或损坏，请勿将产品放置在下列区域：
 - 直接暴露在阳光直射和高温的环境中。
 - 火源，如受压物体和可燃物。
- 不建议使用基础精油来运行机器，尤其是香根草和檀香。

产品规格

产品名称： Aero SM 纯精油扩香仪
型号： SSAW-002
产品尺寸： Ø90 x 155mm
材料： 树脂、塑料
电源输入： 5V == 1A
电池： 3.6V == 2500mAh
主机重量： 795g
覆盖范围： 可达110m²
运行时间： 1 / 2 / 5小时
适用的精油： 任何5ml-15ml精油瓶

中国制造
SSAW LLC
seasonslife.com



产品质量保证

感谢您的购买。制造商对产品缺陷提供12个月的有限保修。请联系SEASONS进行售后查询或产品保修。

需要提供购买证明。保修不包括：

- 由于经常使用/折旧造成的配件损坏
- 由于滥用或不当使用产品造成的损坏
- 非家庭用途的损坏（即自然灾害、商业用途）
- 未能提供任何产品损坏和购买证明

我们保留在提及期限内和任何其他条件下提供免费产品保修的最终决定权。

产品名称： _____

型号： _____

批号： _____

购买地点： _____

购买日期： _____

故障排除

如果您遇到了操作问题，请遵循我们下面列出的故障排除指南。

状况	可能的原因	解决方案
香薰机不能开启/ 香薰机在设定 时间结束前关闭。	没电	请使用提供的USB-C电源线给香薰机充电。 USB-C兼容任何直流5V 1A适配器(可使用苹果 iPhone的适配器/三星手机的适配器)。
设备已开启 但没有雾	喷嘴没有固定牢固	取下喷嘴并重新正确安装到插槽中
	精油瓶已空或 油位低于油管末端	添加更多的精油，更换另一个精油瓶或油管。
	仅使用基础精油 来运行机器	与中/前调精油混合或 使用其它精油来运行机器
	油管与喷嘴 连接不牢固	将油管重新正确插入喷嘴
精油从喷嘴/ 香薰机/ 精油瓶中漏出	喷嘴/香薰机 精油瓶处于倾斜或 侧置状态。	一定要把它们放在稳定的平面上。 切勿将香薰机和喷嘴倾斜或侧向放置。

- 请勿尝试自行拆卸或修理产品。如果设备仍不能令人满意地运行，请联系SEASONS。