



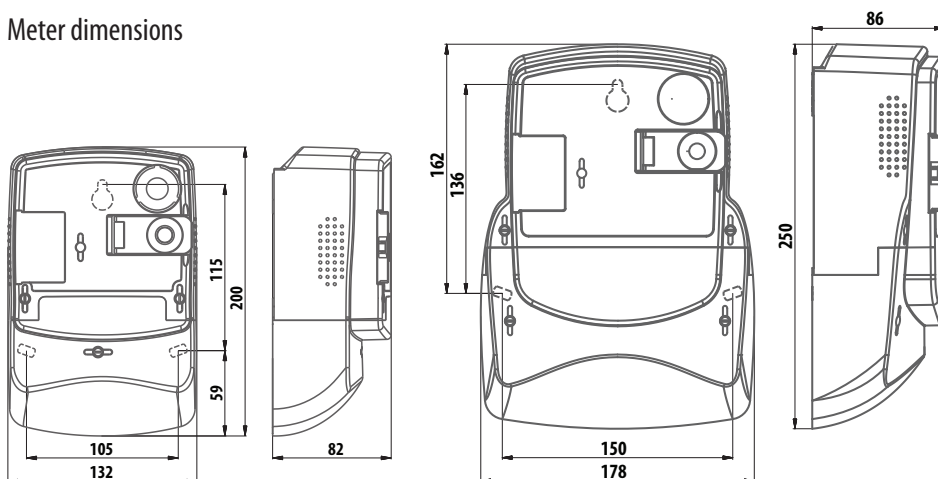
**idis**

-  4 Quadrant measurement
-  BS / DIN housing
-  Multiple connection types
-  Direct or current transformer connection
-  IP54 Ingress protection
-  Load profile
-  Optical port
-  Real-time clock
-  Event logs
-  DLMS – COSEM compliance
-  Multi-rate registration
-  MID B IEC 1 Accuracy class
-  Remote connection/disconnection
-  Photovoltaic ready
-  M-Bus communication
-  GSM/GPRS communication
-  Alarming
-  idis interoperability

Single and Polyphase smart electricity meter, based on GSM/GPRS/UMTS communication provides the most reliable data transmission in smart residential and mid-size commercial environments. This future-proof investment includes:

- IDIS interoperability
- Remote connection/disconnection
- Multi-Energy management (gas, water, heat)
- Extensive anti-tampering features
- Customer port for in-house display (RJ11)
- Secure communication with encryption and authentication
- Photovoltaic friendly design
- Integrated demand/response functions
- DLMS protocol for easy integration
- Import/export energy measurement

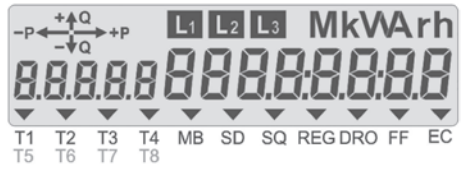
### Meter dimensions



## Type overview

		ME382-D3 BS	ME382-D1 DIN	MT382-D1 DIN	MT382-D2 DIN	MT382-T1 CT - DIN
<b>Network</b>	Low voltage	●	●	●	●	●
<b>Connection type</b>	1P2W	●	●			
	3P4W			●	●	●
<b>Communication</b>	Optical port	●	●	●	●	●
	RJ11 port	●	●	●	●	●
	M-Bus	●	●	●	●	●
	GSM/GPRS/UMTS	●	●	●	●	●
<b>Input – output options</b>	Output 6 A/230 V relay	●	●	●	●	●
	Output OPTOMOS 0.1 A	●	●	●	●	●
	Input alarm	●	●	●	●	●
	External key input	●	●	●	●	●

## Technical specifications

		ME382-D3 BS	ME382-D1 DIN	MT382-D1 DIN	MT382-D2 DIN	MT382-T1 CT - DIN
<b>Nominal voltage</b>	$U_n$	240 V		3 x 240/415 V		
<b>Voltage range</b>		0.8 – 1.15 $U_n$				
<b>Reference frequency</b>		50 Hz or 60 Hz				
<b>Current</b>	Nominal current $I_n$	–	–	–	–	5 A
	Base current $I_b$	5 or 10 A			10 A	–
	Maximal current $I_{max}$	100 A	85 A		120 A	6 A
<b>Accuracy class</b>	Active energy	Class 2 or Class 1 (IEC62052-11, IEC62053-21 A or B (EN 50470 - 3, EN 50470 - 1)				
	Reactive energy	Class 3 or Class 2 (IEC62053-23)				
	Apparent energy	Calibrated up to 3%				
<b>Real-time clock</b>	Accuracy	< 5ppm or $\pm 3$ min/year				
	Back-up power supply	Super-Cap: > 7 days; Li battery: 10 years, life time up to 20 years				
<b>Switching device</b>		Integrated	External		–	
<b>Temperature ranges (IEC 62052-11)</b>	Operation	-25 °C ... +70 °C; extended -40 °C ... +70 °C				
	Storage	-40 °C ... +80 °C				
<b>Ingress protection IEC 60529</b>		IP54				
<b>Liquid Crystal Display</b>						

## Basic functionality

### Measurement features

- Two way („energy“) measurements
- Active energy and power, 4Q Reactive energy & power, Apparent energy & power, Instantaneous value of voltage, Current, Power factor, Frequency and Power
- Absolute measurement of active energy & power

### Tariff functions

- Time-of-use (TOU) measurement of active energy and maximum demand (up to 8 tariffs, 12 seasons, 12 weekly programs, 16 masks, 16 switches)

### Load profiles

- Two Load profiles with different daily and hourly registration periods with up to 32 objects
- Four separate profiles for sub-metering (M-bus)
- Seven separate Event logs for different objects

### Communication

- Full DLMS-COSEM and IEC 1107 compliance
- Four independent communication interfaces:
  - Optical port
  - RJ11 (for in-house display)
  - M-bus (wired)
  - GSM/GPRS/UMTS

### Power quality

- Voltage sag, swell and cut, Daily peak and minimum, Voltage and current asymmetry, Power failure

### Specifics

- Backlit LCD display
- Detection of opening main and terminal cover
- External magnetic field detector
- Detection of meter wiring
- Prepayment
- In-house display support
- Power quality supervision
- Photovoltaic ready
- Secured communication channels
- Switching device up to 3x100A (UC3)
- Remote FW upgrade
- RTC (Super-Cap)

### Optional

- RTC (Li battery)
- M-Bus (wireless with external dongle)
- ZigBee (wireless with external dongle)

## Iskraemeco (UK) Ltd.

Building 1010 Cambourne Business Park  
Cambourne Cambridge CB23 6DP  
Telephone: +44 (0) 1223 597912, Telefax: +44 (0) 1223 598001  
Direct: +44 (0) 131 718 6050, e-mail: sales@iskraemeco.co.uk



Iskraemeco, Energy Measurement and Management  
4000 Kranj, Savska loka 4, Slovenia  
Telephone: +386 4 206 40 00  
http://www.iskraemeco.si, e-mail: info@iskraemeco.si