



EMA1 Top-up Summary Sheet

Summary

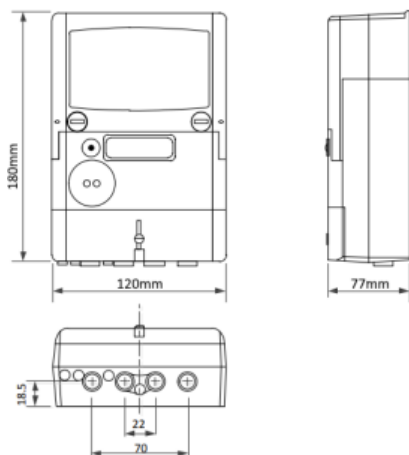
EMA1 Top-up meter offers landlords and building managers a smart solution to prepayment, enabling easy management of all their meters in one secure online portal. Payments are made online or by phone, with 100% of funds being distributed directly to the building owner.

Benefits to landlords include: - The most secure prepayment solution. - Simple remote meter management. - No more coin collection. - No more card distribution.

Benefits to tenants include: - Online or telephone payment option. – Friendly hours so the meter never turns off - In house display unit (optional).

Product Code	EMA1
Meter Type	Top Up Meter
Fitting Type	Wall Mount
Max Current (Amps)	100A
MID Approved	Yes
Smart	Yes
Input Type	Direct Connected
Tariffs	Dual Rate
Import / Export	Yes
Availability	In Stock
Condition	New
Brand	Emlite
Country of Manufacture	UK

Dimensions



Wiring Diagram



	EMA1 Top Up Meter	Card Meters	Coin Meter
Secure from theft	✓	X	X
Secure from fraud	✓	X	X
Remote meter management	✓	X	X