

**The emlite single phase meter provides a compact solution for many metering applications. Fully approved in accordance with the Measuring Instruments Directive (MID), this highly accurate meter may be used for utility billing or micro-generation metering.**



#### **Features -**

- Fully MID approved
- Measures Import Energy
- Easy-to-read LCD Display
- Optical port for configuration or meter reading
- Pulsed Output and Import & export version available

The ECA2 single phase meter is one of the worlds most compact metering devices allowing the unit to be used in metering installations where space is at a premium.

The meter provides measurement of active (kWh) energy in an import direction only (Unless Import & export version was purchased) with registers shown on the large easy to read LCD display. The display features 8x3.5mm characters and can be configured to auto cycle any of the available registers or remain static with only a single register viewable.

The meter features an optical port conforming to IEC 629056-21 allowing meter readings to be collected electronically using a standard probe and software tool. The port also allows configuration of the meter.

The electronic meter is highly reliable and capable of withstanding high voltage events and overcurrent without failure. The meter is resistant to tamper with reverse energy fraud detection and sealing for life.

High quality solid brass cable terminals are used allowing 100 Amp operation.

To enable the connection of energy management systems, an electronic pulsed output version is available. The pulsed output connects onto two auxiliary terminals in the main terminal block.

# Single Rate Electronic Electricity Meter

## Technical Data

Electrical	Voltage	Nominal voltage	220V—240V
		Maximum	276V
Frequency	Current	Voltage withstand	415V (maximum 6 hours)
		Nominal frequency	50Hz
		Frequency variation	± 5%
Metrology	Accuracy	Basic current (Iref)	5, 10, 15 and 20A
		Maximum (Imax)	100A (140% overcurrent)
		Active energy	Class B (1%), to EN 50470 1-3

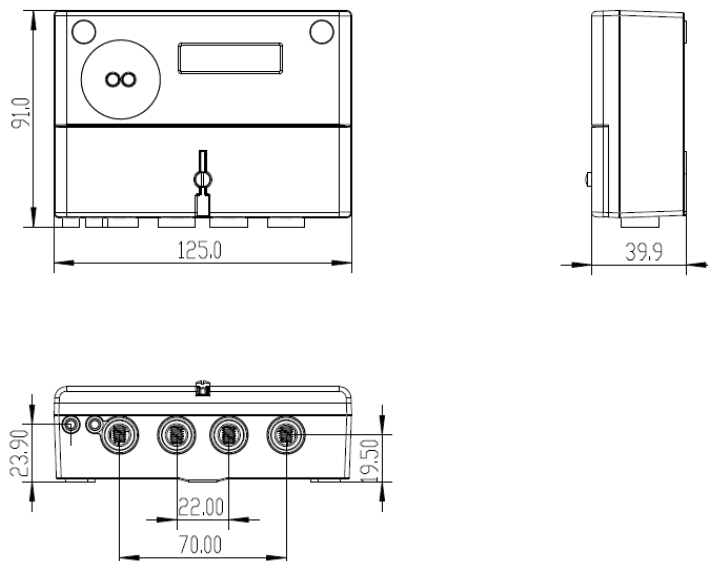
The meter meets the essential requirements of the Measuring Instruments Directive (MID) 2004/22/EC

Environmental	Temperature Range	-40°C to +70°C
	Ingress protection	IP52, to BS EN 60529

Meters are intended for installation in a in a class E2 electromagnetic environment and Class M1 Mechanical Environment according to 2004/22/EC Directive

Physical	Terminal arrangement	BS 7856
	Main Terminal size	8.2 mm diameter
	Terminal Construction	Solid brass

**Dimensions** 91H×125W×40D



JSG Metering Solutions Ltd, 40 High Street, Canvey Island, Essex, SS8 7SE

Tel: (0) 1268 773766 Fax: 01268 775058

Email: sales@jsgsolutions.co.uk