



SINGLE / DOUBLE FRIDGE MODULE

ASSEMBLY INSTRUCTIONS



www.cabinex.com.au

WARNING! – THIS IS A PERMANENT CONNECTION SYSTEM!

WHAT'S NEEDED?

Tools:

- Nylon mallet (not included)
- Philips head screwdriver or drill (not included)
- Allen keys (included in blister pack)

THIS MODULE IS PACKED IN TWO BOXES:

BOX 1 OF 2 = STONE TOP

- STONE TOP

BOX 2 OF 2 = FRIDGE MODULE PANELS & FRAMES

- PVC PANELS AND FRAMES x 4
- BOLT BLISTER PACK x 1
- ADJUSTABLE FEET (ALREADY FITTED INTO FRAMES)

Essential TIP: Ensure you have a stable flat surface to knock your modules together on, ideally concrete.

Please take the time to look at our instruction videos to familiarise yourself with the product before starting.

Scan the QR code on the front cover or go to www.alfrescoplus.com.au/assembly/videos

FRIDGE MODULE LAYOUT DIAGRAM

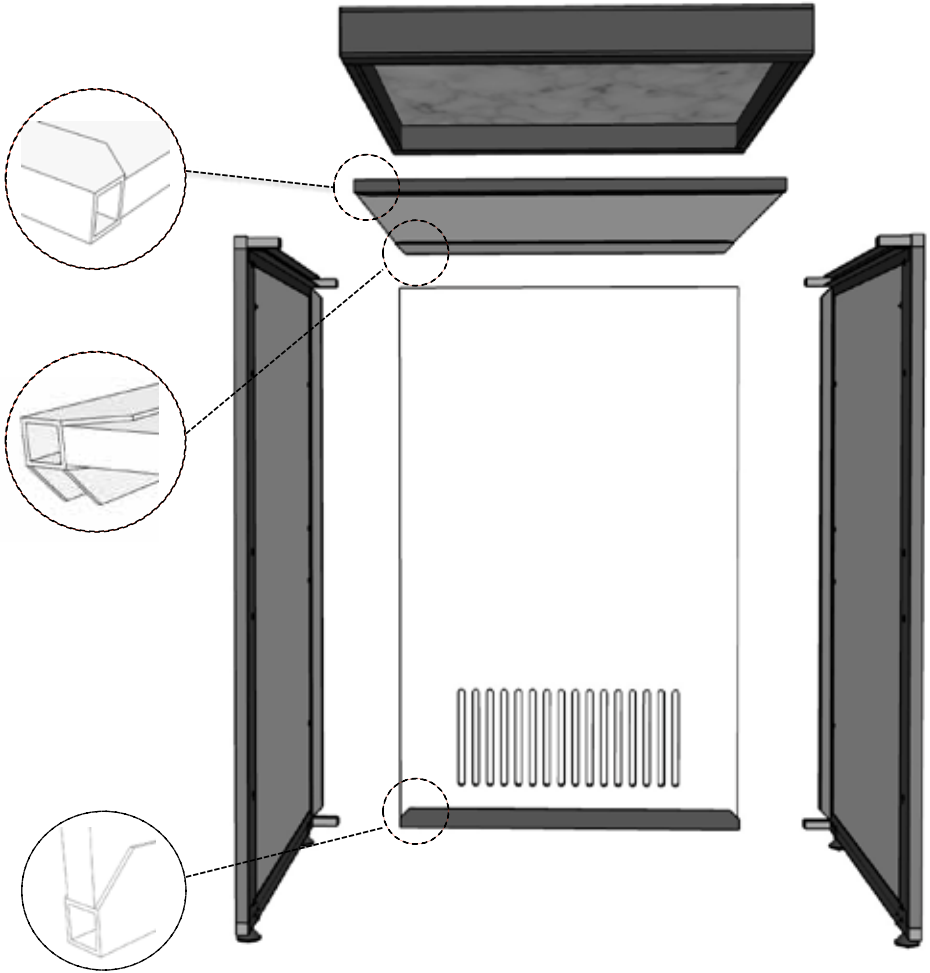


FIG. 1

FRIDGE MODULE ASSEMBLY

NOTE: Assemble the Module on its side.

Place module with the left hand side down and position the top and back panels in place.

Now position the right hand panel and check all is correct before knocking together.

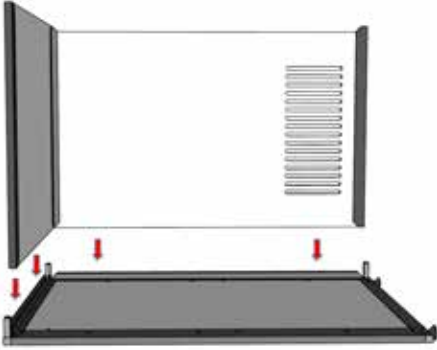


FIG. 2

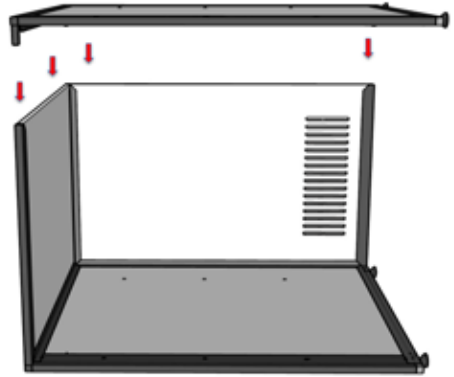


FIG. 3

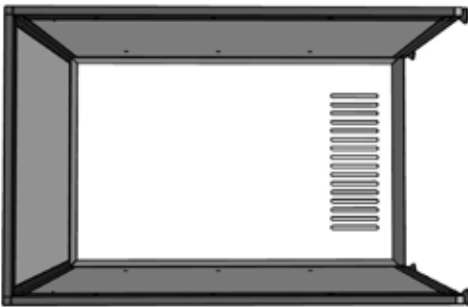


FIG. 4



FIG. 5

ATTACHING & LEVELLING THE FRIDGE MODULE TO OTHER MODULES IN YOUR OUTDOOR KITCHEN

The Fridge Module is now assembled and ready to be joined with other Modules.

Please see the AlfrescoPlus BBQ Module instruction manual for details on ATTACHING & LEVELLING THE MODULES.

ADJUSTING THE FEET

Once you have attached the Fridge Module to the other Modules of your AlfrescoPlus outdoor kitchen, the adjustable feet can be adjusted to make sure the module aligns and is level with the other Modules.

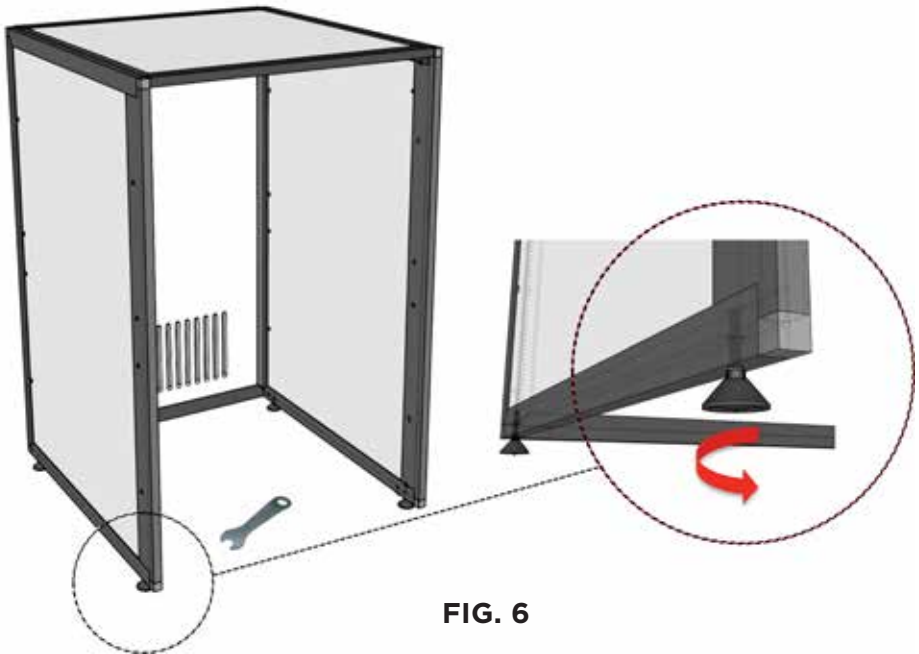


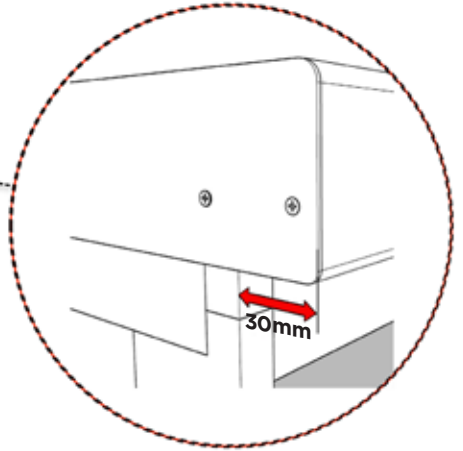
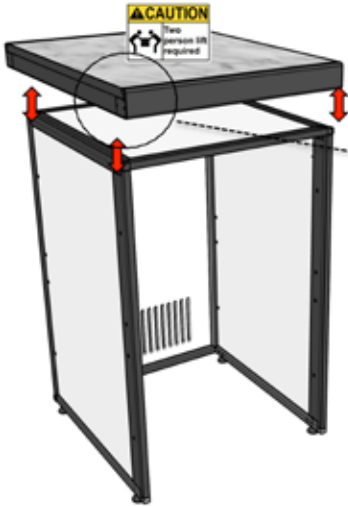
FIG. 6

ATTACHING STONE TOP

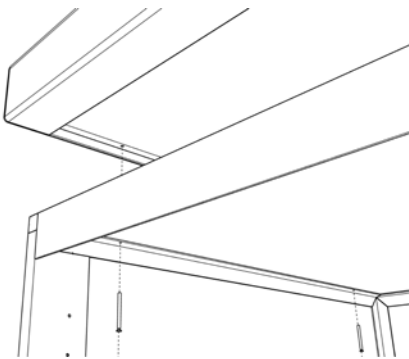
The frame and stone top is pre-assembled for your ease of assembly.

NOTE: The Stone Top is deeper than the cabinet to allow for services.

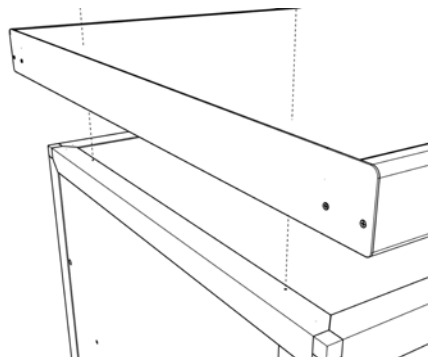
CAUTION: The stone top is very heavy, and a 2-person lift is recommended.



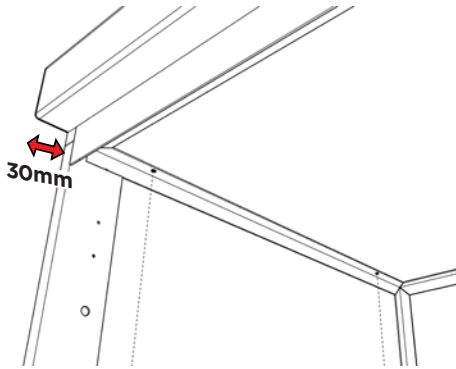
The pre aligned screw holes will ensure that the stone top has an offset of **30mm** from the module.



Use the pre drilled holes to align the stone top.



Hold stone top down and tighten screws.



NOTE: Stone top is designed to overhang 30mm to align with end panels and BBQ air frame.



For any queries or assistance call:

Customer Service
Australia Only

1300 174 876
service.group@sitro.com.au

Hours of operation:
Monday to Friday 8am - 5pm

Do not return to place of purchase
Keep your purchase receipt, this will be required
to make any claims under the warranty.

www.cabinex.com.au