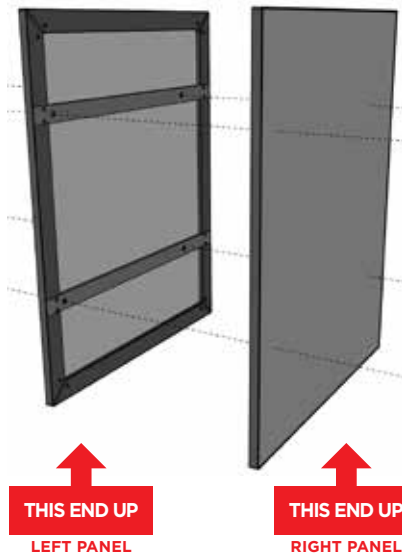


END PANELS

CONNECTION INSTRUCTIONS

Attaching the End Panels
to Fridge, Storage or BBQ Modules



Please note: there is a **LEFT HAND SIDE** and a **RIGHT HAND SIDE** End Panel included in this set. Observe the sticker labels on the panels.

WHAT'S NEEDED?

Tools:

- Philips head screwdriver or drill (not included)
- Allen keys (included in blister pack)

THE END PANELS ARE PACKED IN ONE BOX:

BOX 1 OF 1

- END PANELS - LEFT & RIGHT
- FIXINGS

Essential Tip: Please take the time a look at our instruction videos to familiarise yourself with the product before starting.

Scan the QR code on the front cover or go to:
www.alfrescoplus.com.au/assembly/videos

ASSEMBLING & ATTACHING THE END PANELS

End Panel aligning with 30mm Offset Stone Top.

Take note that the Stone Top and End Panel creates a **30mm** overhang to accommodate the door panels.

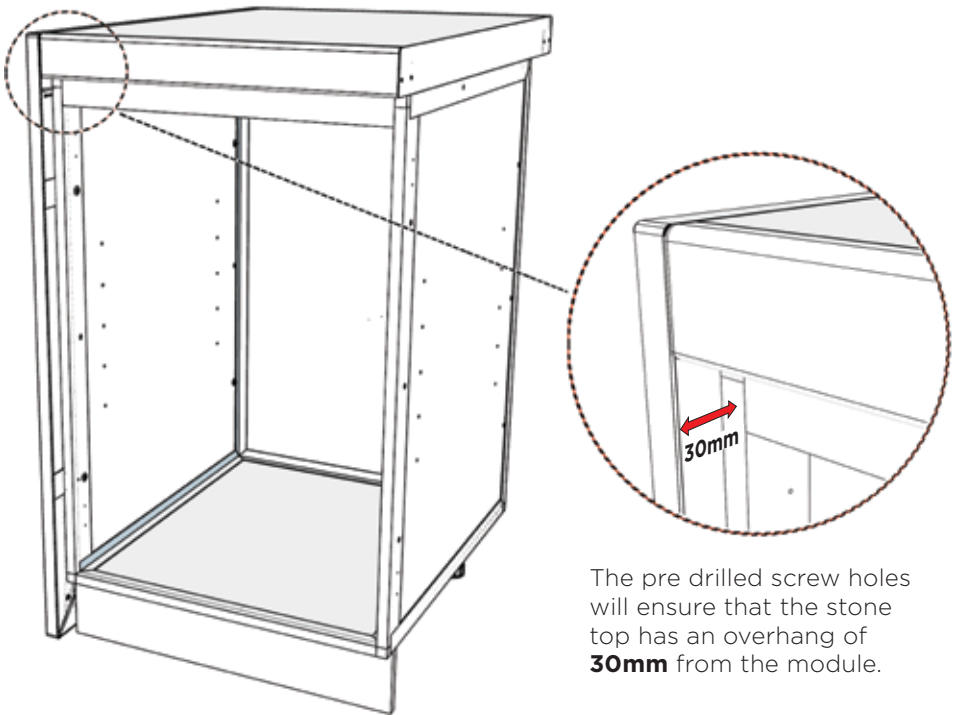


FIG. 1

The pre drilled screw holes will ensure that the stone top has an overhang of **30mm** from the module.

Attaching the End Panel to the FRIDGE MODULE.

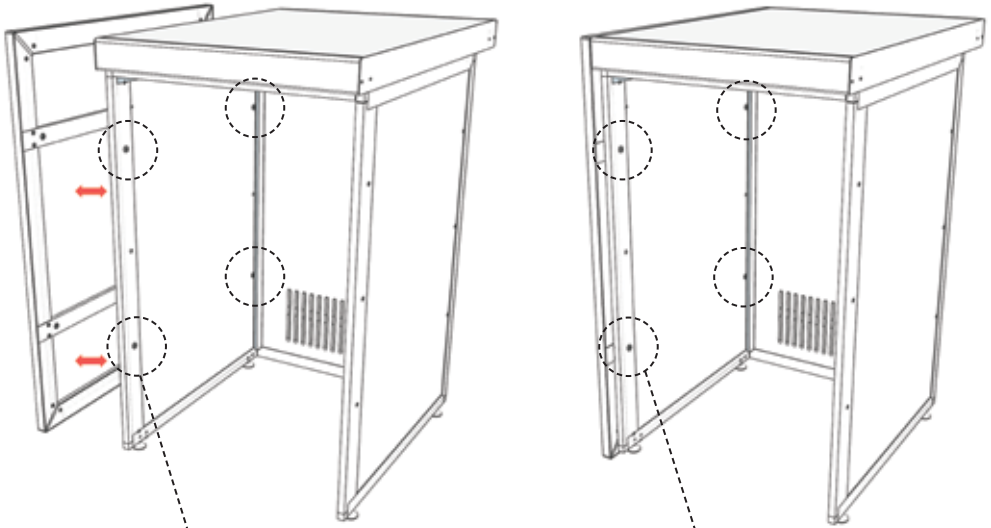
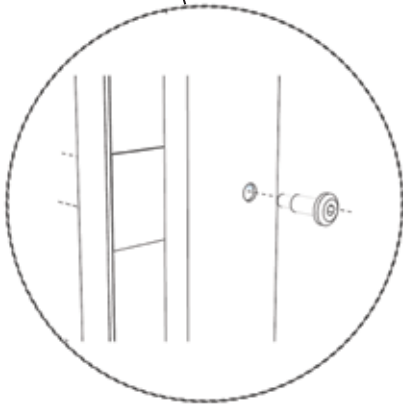


FIG. 2



Align, insert and tighten the barrel bolts with the Allen key provided.

Please Note: there are four barrel bolts that need to be inserted and tightened, front and back.

Attaching the End Panel to the SINGLE or DOUBLE MODULE.

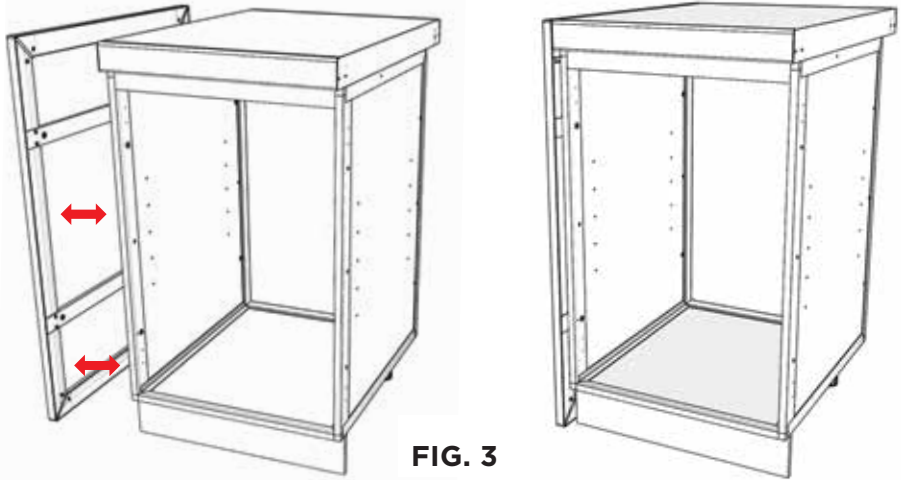


FIG. 3

If attaching the End Panel to a BBQ MODULE (except for BBM915 module please refer to next page).

Note: These barrel bolts are 15mm longer than standard.

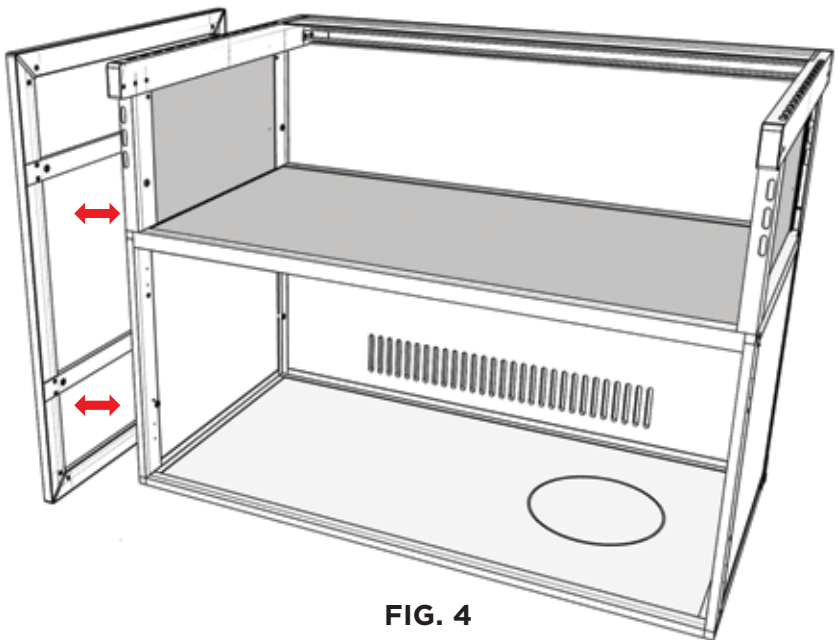
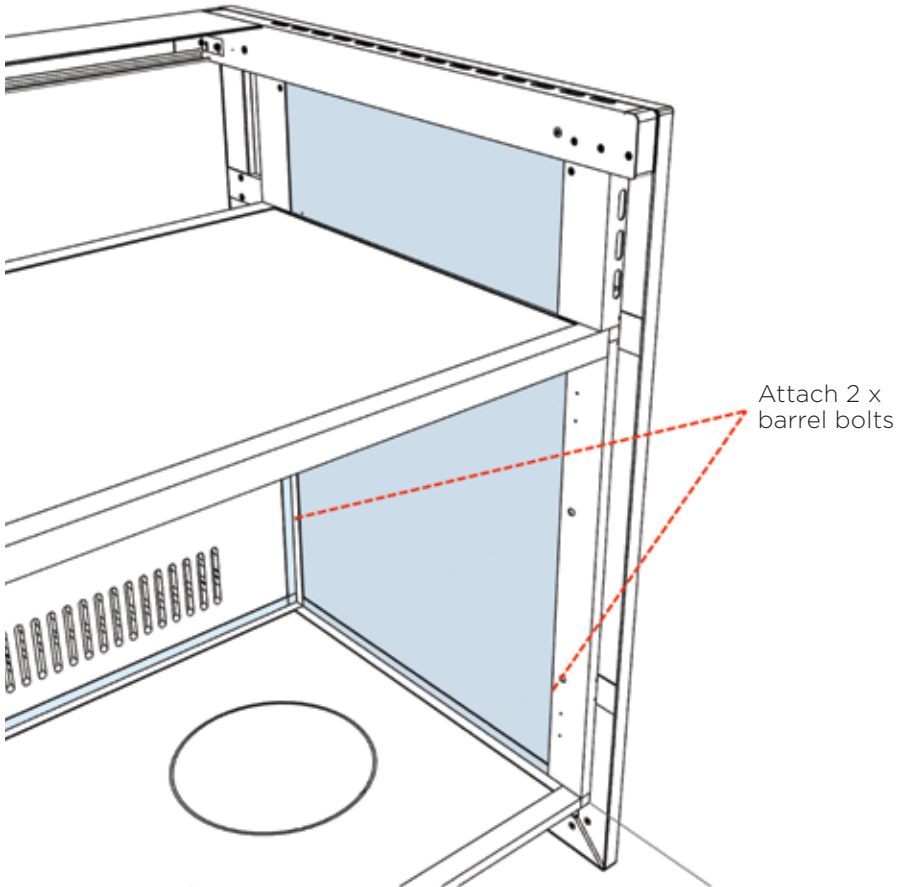


FIG. 4

If attaching the End Panel to BBM915 BBQ Module

Step 1: Connect the 2 x bottom barrel bolts to secure bottom part of the End Panel directly to the BBQ module. Clamp top of the end panel and Air Frame together to prepare the frame before drilling.

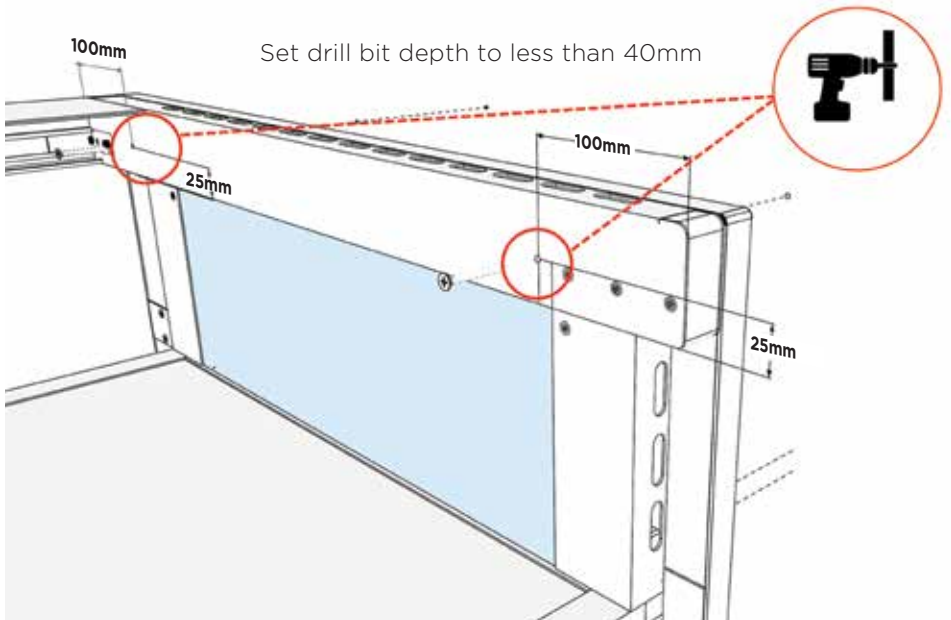
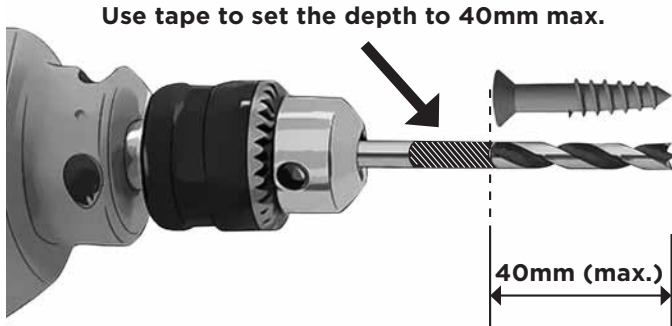


Step 2: Drill holes as per diagram below.

IMPORTANT

- Use a 3.2mm drill bit with depth stop (not supplied)
- 2 x 6g-40mm screws (not supplied)

Please ensure you use a stop or tape on the drill bit so not to drill deeper than 40mm max. Damage to the end panel from incorrect drilling will not be covered under warranty.



Step 3: Insert 2 x screws: 6g-40mm (max).

Note: Screws not supplied.



For any queries or assistance call:

Customer Service
Australia Only

1300 174 876
service.group@sitro.com.au

Hours of operation:
Monday to Friday 8am - 5pm

Do not return to place of purchase
Keep your purchase receipt, this will be required
to make any claims under the warranty.

www.cabinex.com.au