



BBQ MODULE & AIR FRAME

(ALL SIZES)

ASSEMBLY INSTRUCTIONS



www.cabinex.com.au

WARNING! – THIS IS A PERMANENT CONNECTION SYSTEM!

WHAT'S NEEDED?

Tools Required:

- Nylon mallet (Not Included)
- Philips head screwdriver with long shaft or battery drill with long bits (Not Included)
- Allen Keys x 2 (Included)
- 50mm Diameter Hole saw or Jigsaw

WHAT'S IN THE BOX?

Box 1 of 3 = BBQ AIR FRAME

Box 2 of 3 = MODULE Panels & Frames

Box 3 of 3 = MODULE Doors

PARTS INCLUDED:

PRE-ASSEMBLED CABINET PANELS x 3

BACK, TOP & BOTTOM x 6

DOORS

• BBQ Small & Medium x 2

• BBQ Large x 4

PLINTH FEET x 8

HARDWARE

- Included Bolt Pack

Essential TIP: Ensure you have a stable flat surface or workbench to work from. The most ideal height to assemble the module is waist height. The workbench should be at least 1.8m (W) x 1m (H) x 0.7m (D) in size.

LAYOUT DIAGRAM

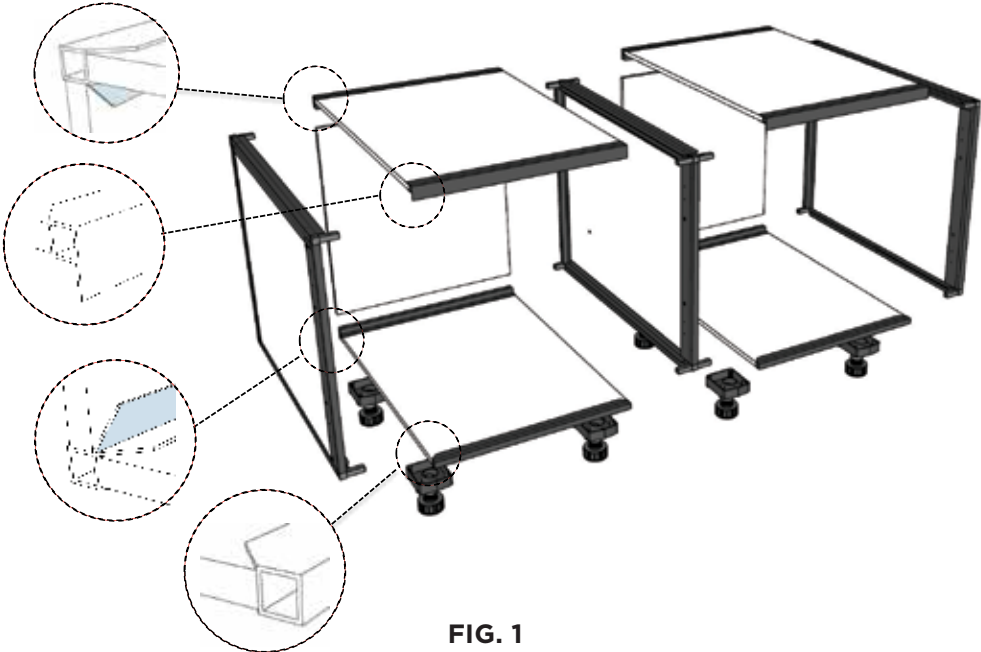


FIG. 1

ASSEMBLING SIDE & CENTRE WALLS



FIG. 2



FIG. 3

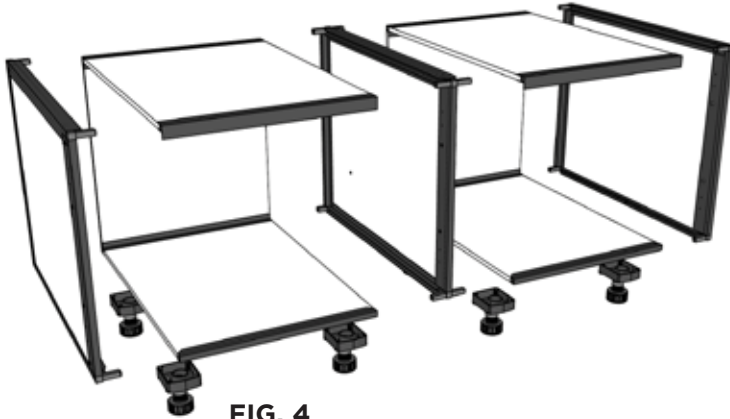


FIG. 4

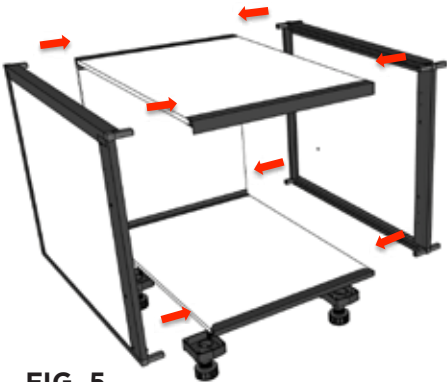


FIG. 5



FIG. 6



FIG. 7



FIG. 8



FIG. 9

ASSEMBLING PLINTH FEET & KICKER PLATE

No pilot holes are used for plinth feet since the inside frame edge provides the guide. Place Plinth foot into corner of cabinet frame. Screw down with screws provided. Using a HAND SCREW DRIVER only gently screw in each of the screws. Do NOT use a battery screw driver, only a hand screw driver. Failing to use a hand screw driver may cause the screw to go too far through the PVC and damage the inner surface of the base. If easier, remove plinth shaft from baseplate then screw down base plate first. If desired move the front two plinth feet further back to create a deeper kick-plate position.

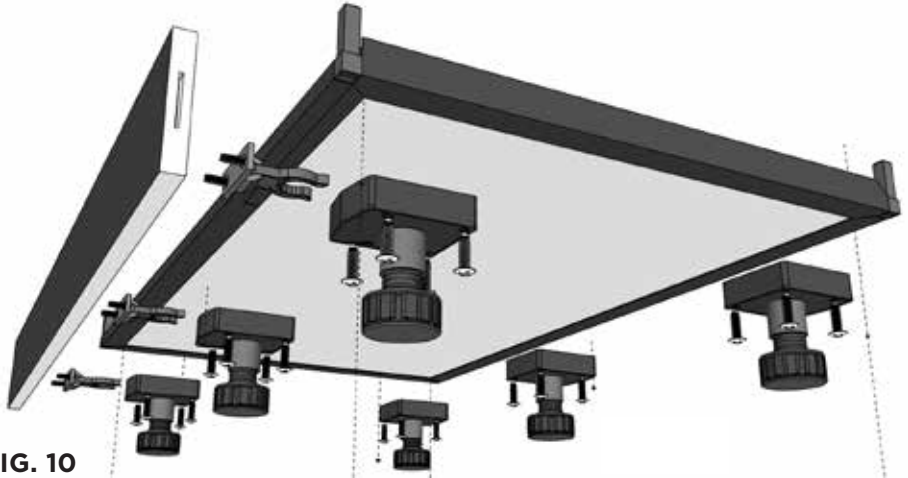


FIG. 10

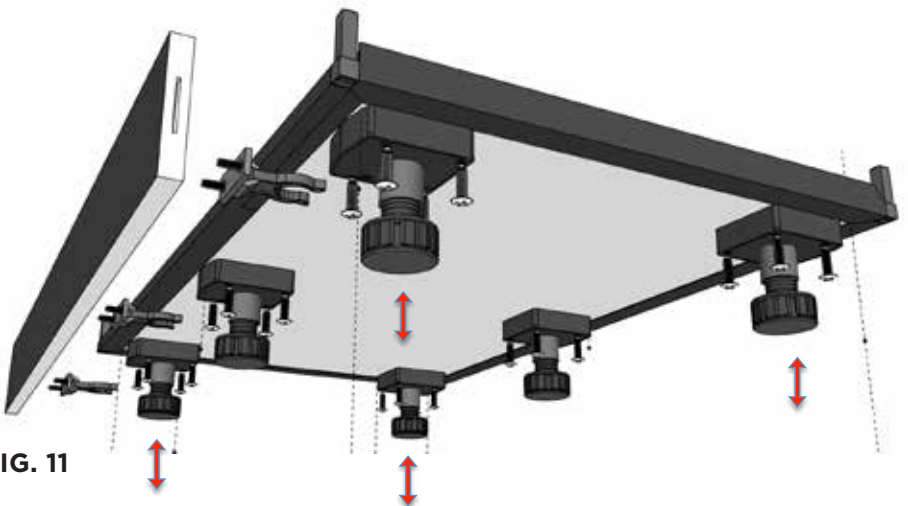
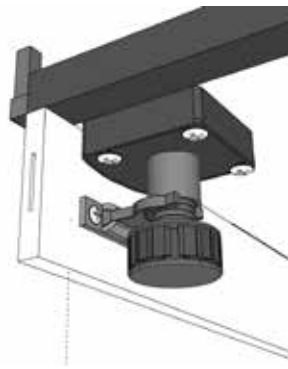
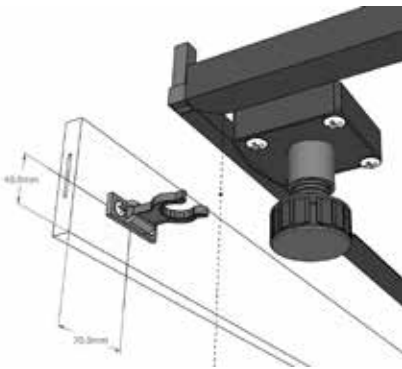
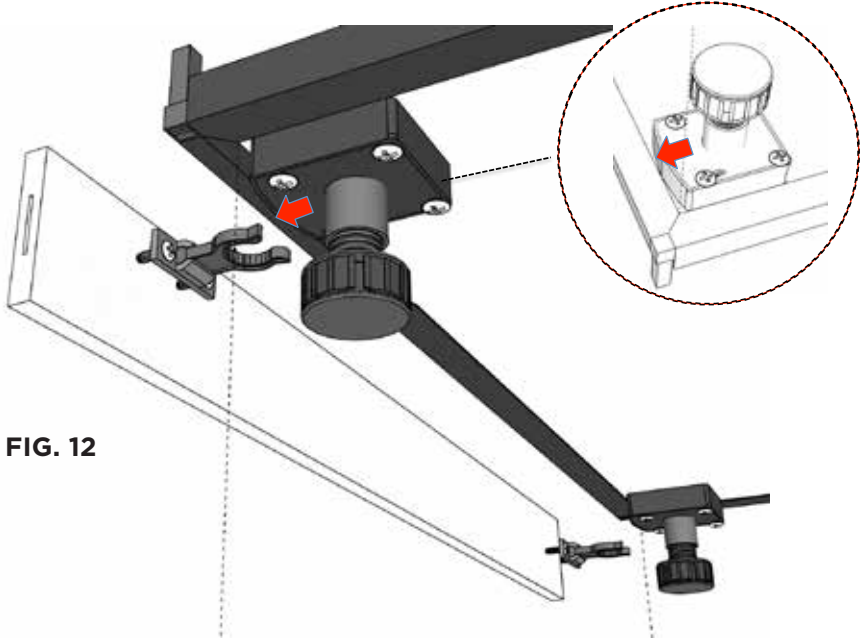


FIG. 11

ATTACHING THE KICK PLATE

Please take note that the Kick plate provided is reversible, thereby giving you the choice between a black “shadow line” finish or stylish silver finish. The Kick plate Biscuit is used to connect onto more than one cabinet, thereby aligning the kick plate.



Choose the desired color face of kick plate. (Silver or Black). No pre drilled holes are possible due to this color choice. Self tapping screws are provided to attach the spring clip plate to the kick panel. The dimensions on Fig. 13 can be used as a guide only since the position of the plinth foot and the desired depth of the kick plate will vary depending on the choice of plinth foot installation position by the end user.

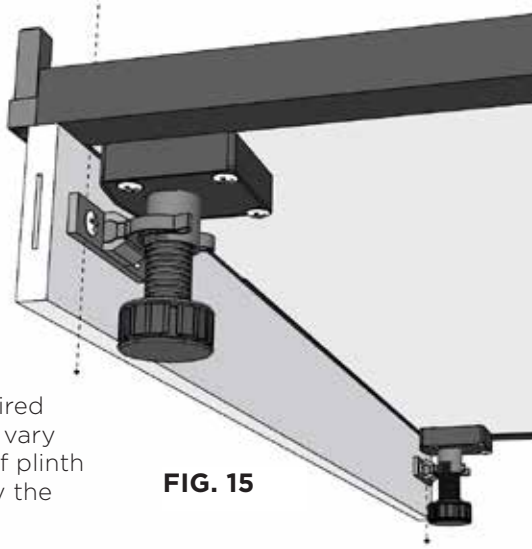


FIG. 15

ASSEMBLING DOORS & HINGES - 2 DOOR VERSION

- To attach the hinge plate use a standard or power Phillips head screw driver. The holes are pre drilled into the frame.
- Attach all four-hinge plates when attaching two doors.

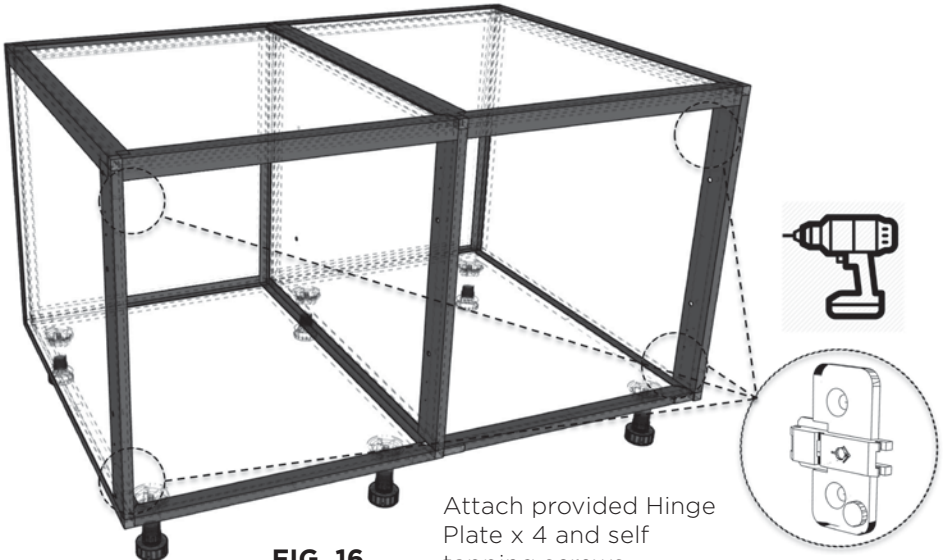
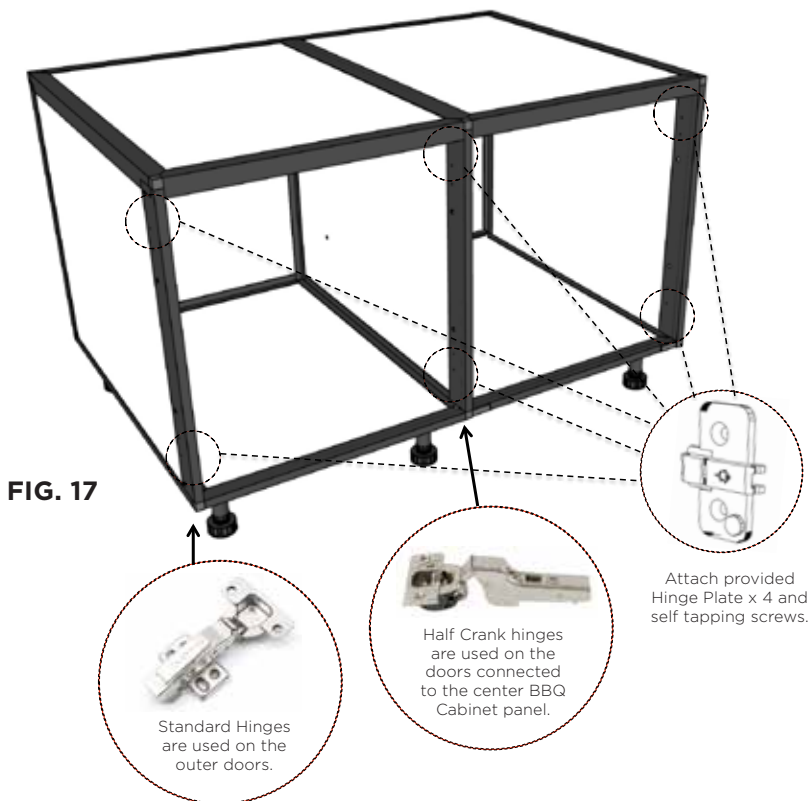


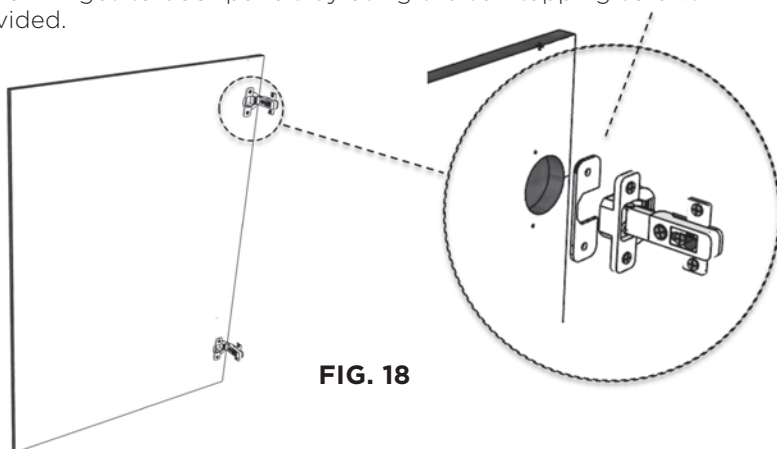
FIG. 16

Attach provided Hinge Plate x 4 and self tapping screws.

ASSEMBLING DOORS & HINGES - 4 DOOR VERSION



Attach hinges to door panels by using the self-tapping screws provided.



Each door hinge includes a spacing bracket



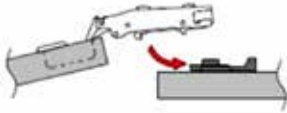
Place the spacing bracket on the underside of the door hinge before assembly



Screw the door hinge to the door panel with the bracket in place as shown

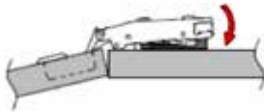


DETAILED INSTRUCTIONS ON HOW TO CLIP ON THE DOORS USING CLIP-ON-HINGES

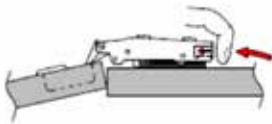


Clip On Hinge Instructions:

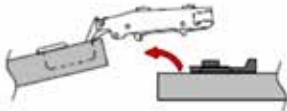
Clamp hinge on to the mounting plate as shown by direction arrow



Press down the hinge arm to lock the plate as shown



The door can be quickly removed by pushing the button



Unclipping the door from the mounting plate leaves all adjustments unaltered

Firstly align the front hinge section with the front section of the hinge-plate, then press on the back of the hinge-plate, an audible “Click” should be heard if the door has been correctly hanged. Repeat the process to secure the bottom hinge and door.

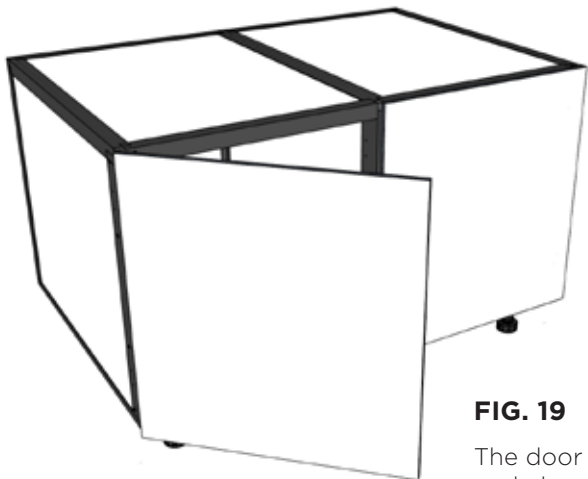


FIG. 19

The door should fully open and close as normal - **2 Door version.**



FIG. 20

The door should fully open and close as normal - **4 Door version.**

AIR FRAME OVERHANG ADJUSTMENT

To line up Air Frame, Module Tops and End Panels.

SIDE VIEW

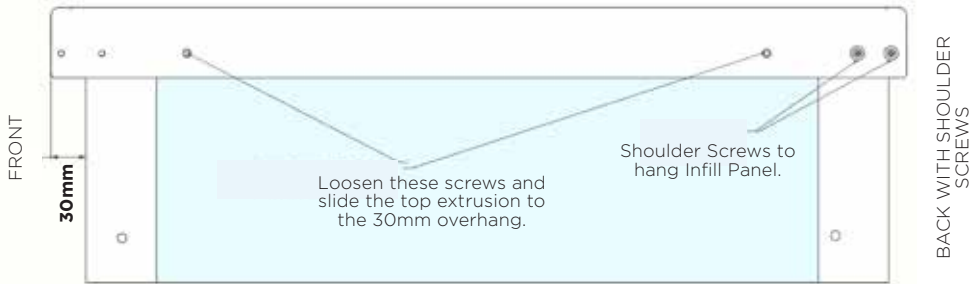


FIG. 21

ASSEMBLING THE AIR FRAME

Insert the pre-assembled vertical side shields onto the horizontal bottom by pressing firmly into pre inserted prongs.

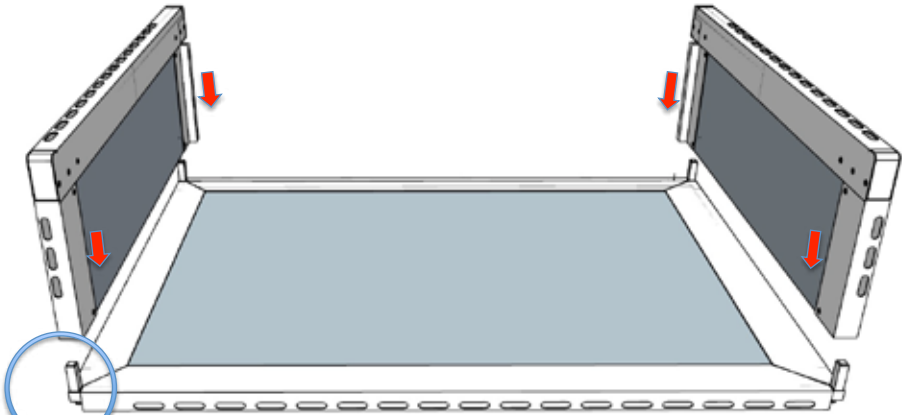
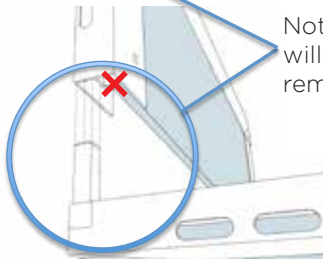


FIG. 22



Note: The Prong in the horizontal Air Frame will fit into the frame firmly, however can be removed again.

After the Air Frame left and right hand side have been assembled, it should resemble the diagram below.



FIG. 23

Place the Air Frame on to the top of the BBQ Module. Please note there are no joining bolts or screws required to fit into place. The Air Frame will be firmly attached by making use of the barrel bolts provided, to join to the cabinets or end panels directly adjacent to the Air Frame.

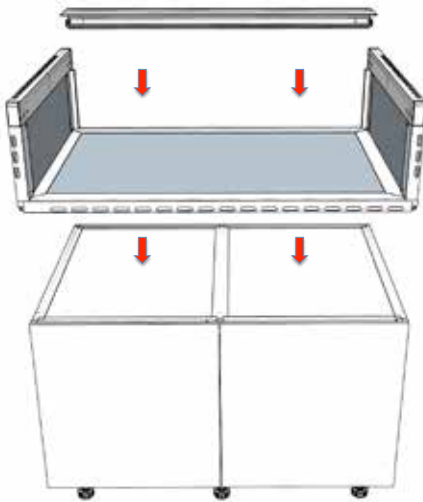


FIG. 24



FIG. 25

Attach the joining screw bolt through the pre-drilled holes provided. Use the Allen keys provided. Do not over tighten.

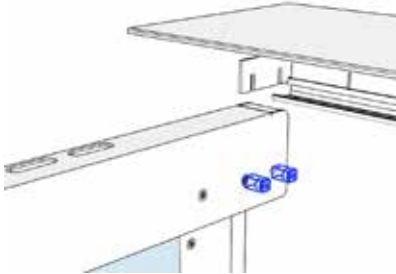


FIG. 26

Step 1: Insert shoulder screws halfway.

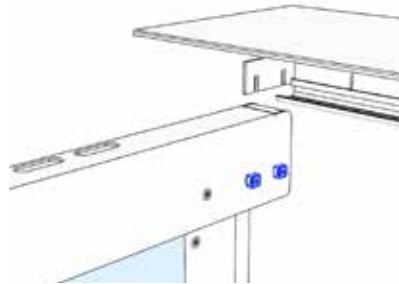


FIG. 27

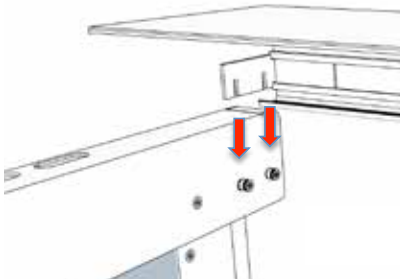


FIG. 28

Step 2: Lower Infill Panel onto Shoulder Screws and tighten (Do not over tighten).

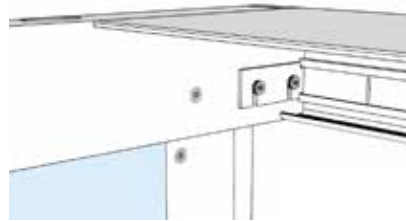


FIG. 29

Your progress should resemble FIG. 30 at this point.

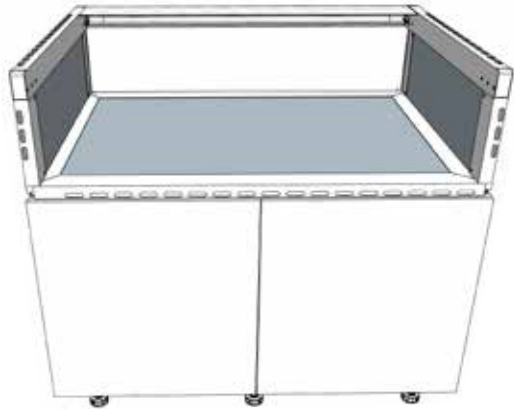


FIG. 30

The BBQ Module and Air frame is now assembled and ready to be joined with other modules.

ATTACHING & LEVELLING THE MODULES

Position modules in the desired configurations. Level each module and ensure the heights are correct so that joining holes line up. Now join the two modules with the barrel bolts supplied. Do Not over tighten barrel bolts. Position and level the whole assembly in final position.

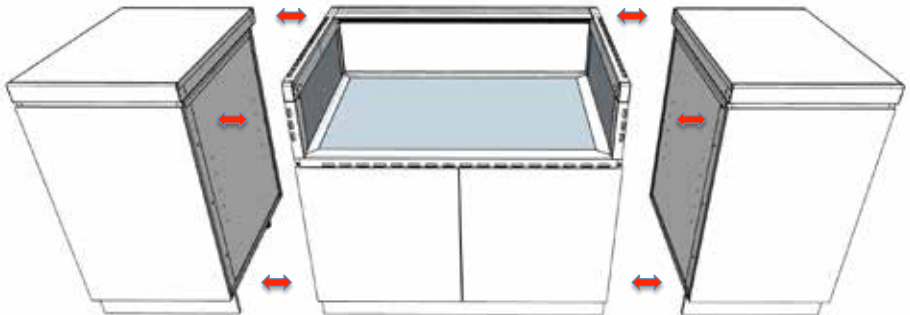


FIG. 31

Make sure the cabinets are leveled and aligned, ready to be connected by barrel bolts. Please note the biscuit inserted into the kick plate provided, ensure the kick plate is aligned ready to be connected.

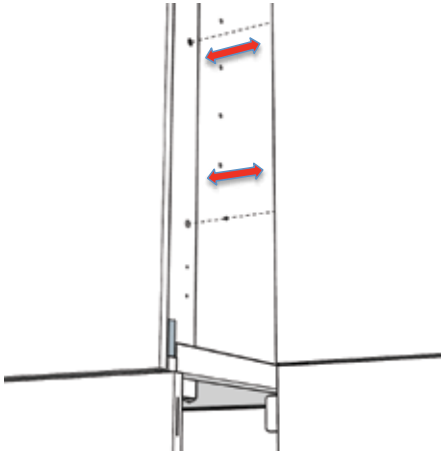


FIG. 32

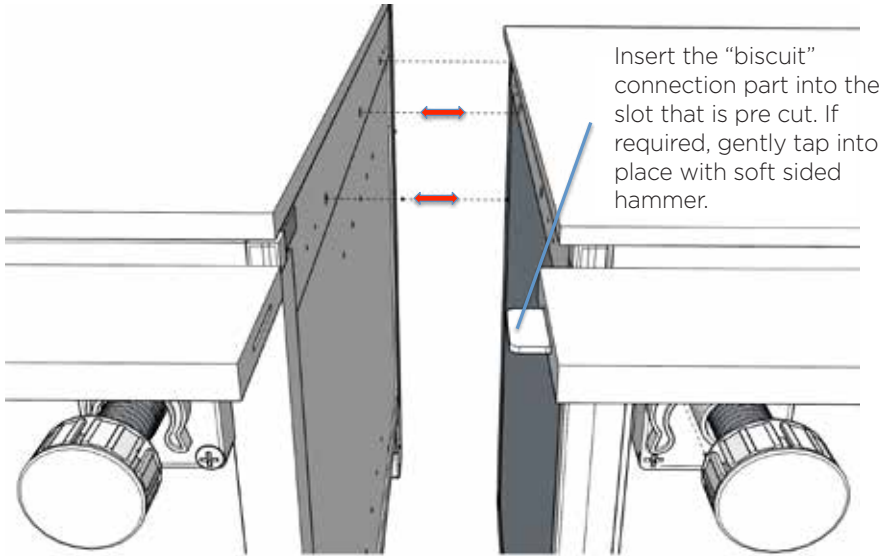


FIG. 33

Use the Allen key provided to fasten cabinets using the barrel bolts.

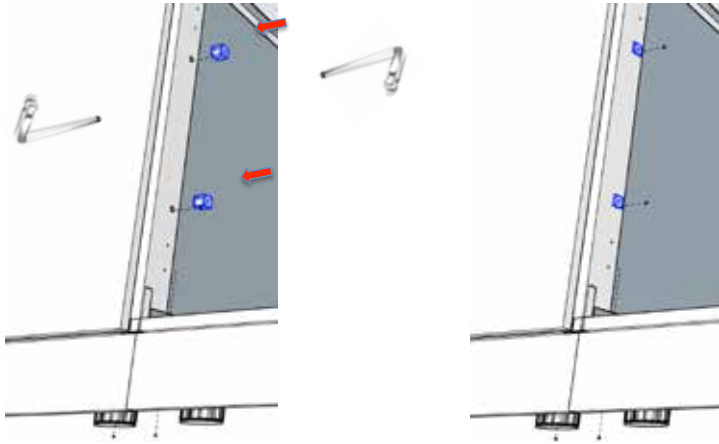


FIG. 34

Joining the Cabinet with Barrel Bolts.

Cabinet Joined with Barrel Bolts.

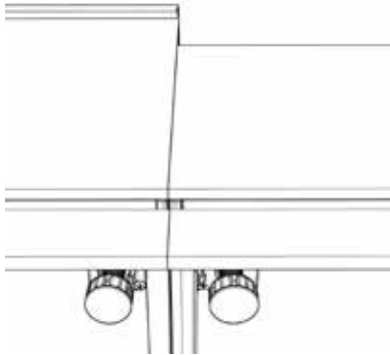


FIG. 35

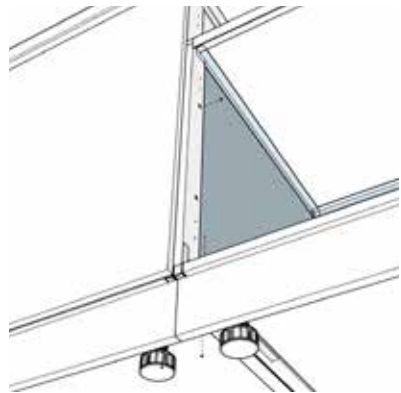


FIG. 36

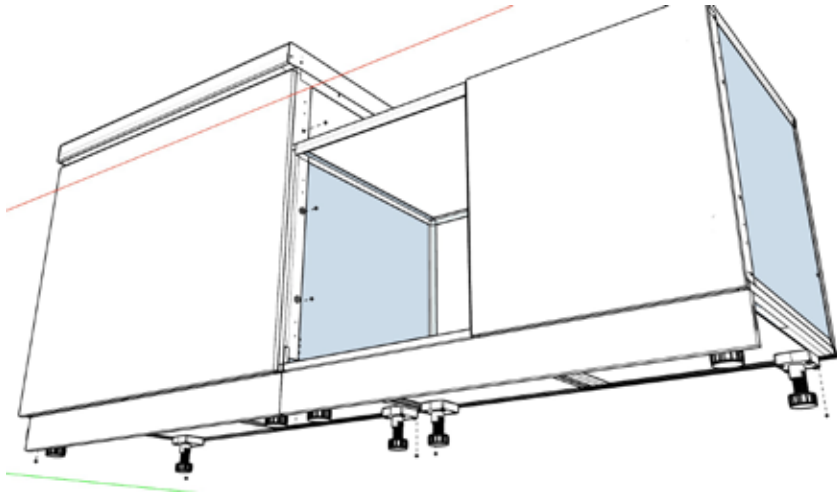


FIG. 37

Note: The door is not shown in some images to illustrate the cabinet connection method more clearly.

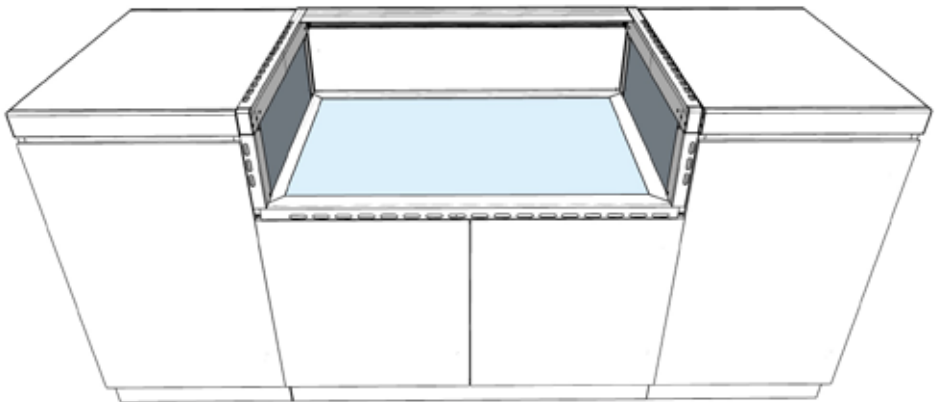


FIG. 38

HOW TO INSTALL A DOOR HANDLE

Take note that the door handles can be placed vertically or horizontally as preferred by you.

Remove the Double sided Tape from the inside of the handle. Ensure you align the edge of the handle to the edge of the door before touching the tape to the door panel. Carefully press the door handle to the door for a permanent adhesion.

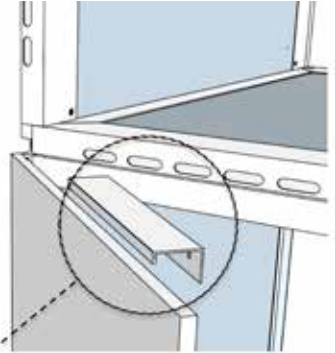


FIG. 39

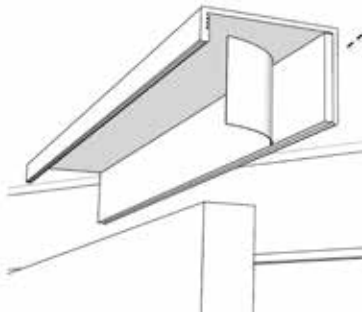


FIG. 40

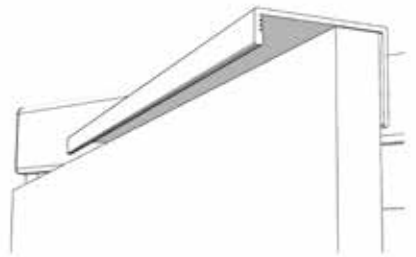


FIG. 41

Additional screws are provided for a very secure connection, although you need to drill your own holes due to the handle having multiple possible positions as desired. These additional screw fixtures are not required under normal use.

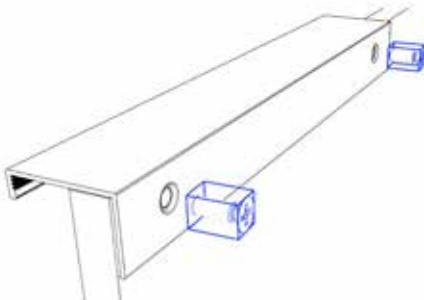


FIG. 42

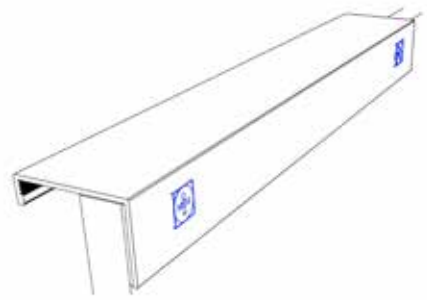


FIG. 43



For any queries or assistance call:

Customer Service
Australia Only

1300 174 876
service.group@sitro.com.au

Hours of operation:
Monday to Friday 8am - 5pm

Do not return to place of purchase
Keep your purchase receipt, this will be required
to make any claims under the warranty.

www.cabinex.com.au