

**VALIDOEVO635SB**  
**VALIDOEVO1235SB**

Electric Pizza Deck Oven - Upward opening



**VALIDOEVO635SBDG**

- Single or Double chamber electric deck oven
- Digital controls (**DG**) or Electromechanical controls (**EM**)
- Downward opening door design
- Easy read internal temperature display
- 400°C maximum working temperature
- Independent control for top and bottom heat
- Refractory stone baking surface, 19mm thick
- Bake direct on the stone or in trays
- Internal halogen light
- Stainless steel front, door and handle



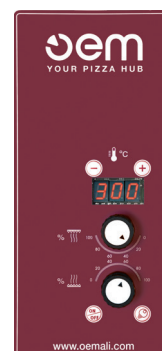
**VALIDOEVO1235SBEM**  
(on stand)

**ACCESSORIES**

- OMSU516 - Painted steel stand - W1050mm x D900mm X H900mm  
Adjustable height on wheels - 75kg
- OM08094 - Neutral chamber - W1050mm x D900mm x H900mm - 75kg
- OM08095 - Heated chamber - W1050mm x D900mm x H900mm - 90kg
- OM60.00774 - Set of 6 slide bars for trays

**Also Available**

- VALIDOEVO635SBEM - Single Chamber - Electromechanical
- VALIDOEVO635SBDG - Single Chamber - Digital
- VALIDOEVO1235SBEM - Double Chamber - Electromechanical
- VALIDOEVO1235SBDG - Double Chamber - Digital



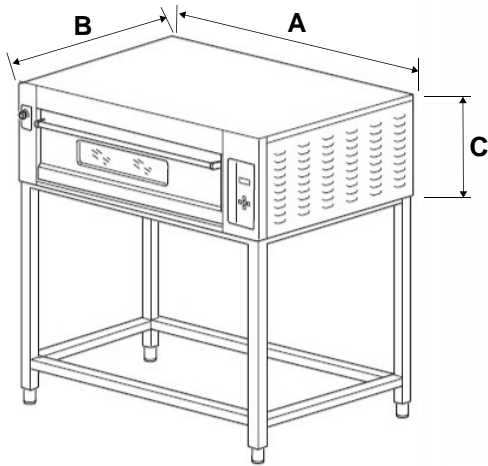
Electromechanical



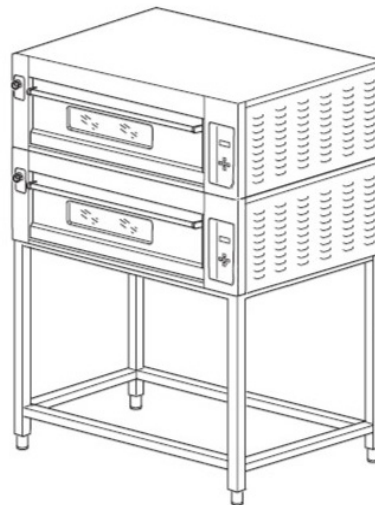
Digital

# VALIDOEVO635SB VALIDOEVO1235SB

## Electric Pizza Deck Oven - Downward opening



VALIDOEVO635SB



VALIDOEVO1235SB

### SPECIFICATIONS - VALIDOEVO635SB

#### External Dimensions

Width (A)	1083mm
Depth (B)	1323mm
Height (C)	390mm

#### Internal Dimensions

Width (A)	759mm
Depth (B)	1088mm
Height (C)	100mm

#### Electrical Requirements

400V, 3P+N+E, 50Hz, 10.2kW

#### Nett Weight

193kg

### SPECIFICATIONS - VALIDOEVO1235SB

#### External Dimensions

Width (A)	1083mm
Depth (B)	1323mm
Height (C)	780mm

#### Internal Dimensions

Width (A)	759mm
Depth (B)	1088mm
Height (C)	100mm

#### Electrical Requirements

400V, 3P+N+E, 50Hz, 20.4kW

#### Nett Weight

386kg

moffat.com.au

moffat.co.nz

Australia

moffat.com.au

Moffat Pty Limited

Victoria/Tasmania

740 Springvale Road

Mulgrave, Victoria 3170

Telephone +613-9518 3888

Facsimile +613-9518 3833

vsales@moffat.com.au

New South Wales

Telephone +612-8833 4111

nswsales@moffat.com.au

South Australia

Telephone +613-9518 3888

vsales@moffat.com.au

Queensland

Telephone +617-3630 8600

qldsales@moffat.com.au

Western Australia

Telephone +618-9413 2400

wasales@moffat.com.au

New Zealand

moffat.co.nz

Moffat Limited

Rolleston

45 Illinois Drive

Izone Business Hub

Rolleston 7675

Telephone +64 3-983 6600

Facsimile +64 3-983 6660

sales@moffat.co.nz

Auckland

Telephone +64 9-574 3150

sales@moffat.co.nz



In line with policy to continually

develop and improve its

products, Moffat Limited

reserves the right to change

specifications and design

without notice.

This specification sheet is meant

for commercial purpose only.

For technical documentation please

refer to our service manuals.

© Copyright Moffat Ltd

AN.O.0521

an Ali Group Company



The Spirit of Excellence