

## Pizza2Go® Single Door Pizza Warmer

The Pizza2Go Single Door Pizza Warmer, is a perfect pizza holding solution for a small footprint pizza shop, with a streamline design that will allow the unit to sit in compact areas.

### PIZZA2GO® SINGLE DOOR FEATURES:

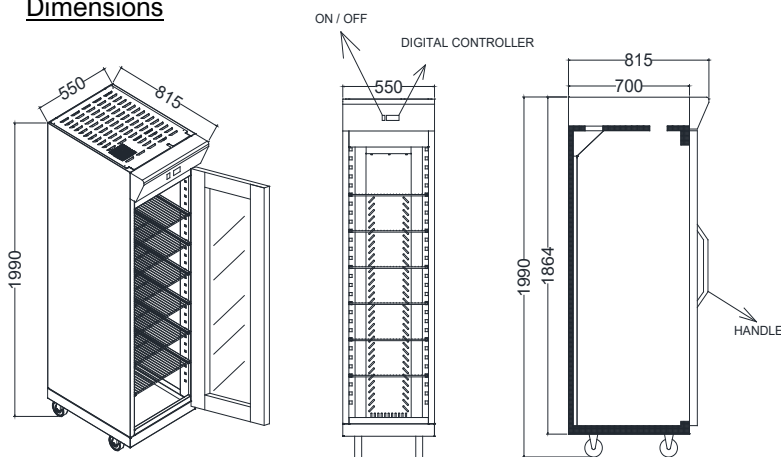
- Solid glass door with LED lights
- Regular 10 Amp plug-in ensuring easy electrical access
- Holds up to 30 x large pizza boxes
- Heat is distributed by a fan heater and heating element maintaining and holding pizza temperatures
- Even heat distribution
- Equipped with 6 sturdy shelves and 12 shelf runners
- Digital controller, enabling optimal and adjustable temperature control
- Easy access on/ off switch
- Swivel castors with brakes, allowing the unit to be moved
- Designed and developed by our company Skanos
- 1 Year Warranty



### TECHNICAL INFORMATION

Capacity (15" Pizza boxes)	30 x 15" Pizza boxes
External Dimensions W x H x D (mm)	550 x 1990 x 815
Internal Dimensions W x H x D (mm)	500 x 1620 x 620
Shelves	6 shelves, 12 shelf runners
Shelf Dimensions W x D (mm)	450 x 630
Exterior/ Interior Materials	Stainless Steel
Power Connection	Single phase
Temperature Range	Up to 90°C

### Dimensions



### Product Images

