

DOMITOR630L
DOMITOR1230L
Electric Pizza Deck Oven



DOMITOR630LDG

- Single or Double chamber electric deck oven
- Digital controls (**DG**) or Electromechanical controls (**EM**)
- Easy read internal temperature display
- 400°C maximum working temperature
- Independent control for top and bottom heat
- Refractory stone baking surface
- Bake direct on the stone or in trays
- Internal halogen light
- Stainless steel front, door and handle



DOMITOR1230LEM

ACCESSORIES

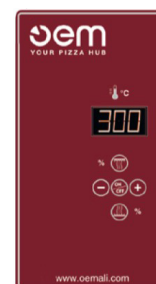
- OMSU361 - Painted steel stand
- OMO7305- Neutral chamber
- OMO7311 - Heated chamber
- OME3L36RO - Set of 7 slide bars for trays
- OME3L37RO - Central element for slide bars (required with OME3L36RO)
- OMAC100RO - Set of 4 wheels, 2 with brakes

Also Available

- DOMITOR630LEM - Single Chamber - Electromechanical
- DOMITOR630LDG - Single Chamber - Digital
- DOMITOR1230LEM - Double Chamber - Electromechanical
- DOMITOR1230LDG - Double Chamber - Digital



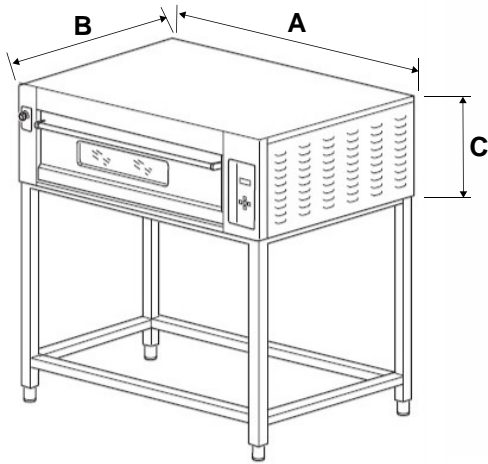
Electromechanical



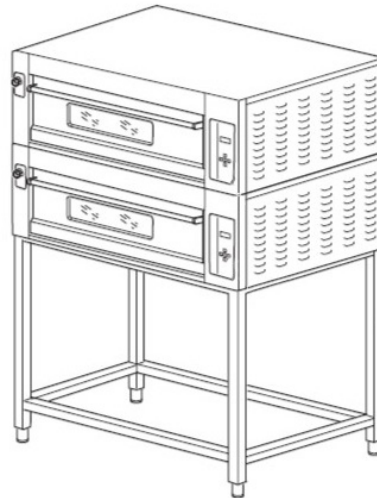
Digital

DOMITOR630L DOMITOR1230L

Electric Pizza Deck Oven



DOMITOR630L



DOMITOR1230L

SPECIFICATIONS - DOMITOR630L

External Dimensions

Width (A)	1250mm
Depth (B)	970mm
Height (C)	400mm

Internal Dimensions

Width (A)	930mm
Depth (B)	630mm
Height (C)	105mm

SPECIFICATIONS - DOMITOR1230L

External Dimensions

Width (A)	1250mm
Depth (B)	970mm
Height (C)	730mm

Internal Dimensions

Width (A)	930mm
Depth (B)	630mm
Height (C)	105mm

Electrical Requirements

400V, 3P+N+E, 50Hz, 7.8kW

Nett Weight

106kg

Electrical Requirements

400V, 3P+N+E, 50Hz, 15.6kW

Nett Weight

181kg

moffat.com.au
moffat.co.nz

Australia
moffat.com.au
Moffat Pty Limited

Victoria/Tasmania
740 Springvale Road
Mulgrave, Victoria 3170
Telephone +613-9518 3888
Facsimile +613-9518 3833
vsales@moffat.com.au

New South Wales
Telephone +612-8833 4111
nswsales@moffat.com.au

South Australia
Telephone +613-9518 3888
vsales@moffat.com.au

Queensland
Telephone +617-3630 8600
qldsales@moffat.com.au

Western Australia
Telephone +618-9413 2400
wasales@moffat.com.au

New Zealand
moffat.co.nz

Moffat Limited

Rolleston
45 Illinois Drive
Izone Business Hub
Rolleston 7675
Telephone +64 3-983 6600
Facsimile +64 3-983 6660
sales@moffat.co.nz

Auckland
Telephone +64 9-574 3150
sales@moffat.co.nz



In line with policy to continually develop and improve its products, Moffat Limited reserves the right to change specifications and design without notice. This specification sheet is meant for commercial purpose only. For technical documentation please refer to our service manuals.

© Copyright Moffat Ltd
AN.O.0521

an Ali Group Company



The Spirit of Excellence