

**DOMITOR630L**  
**DOMITOR1230L**  
Electric Pizza Deck Oven



DOMITOR630LDG



DOMITOR1230LEM

- Single or Double chamber electric deck oven
- Digital controls (**DG**) or Electromechanical controls (**EM**)
- Easy read internal temperature display
- 400°C maximum working temperature
- Independent control for top and bottom heat
- Refractory stone baking surface
- Bake direct on the stone or in trays
- Internal halogen light
- Stainless steel front, door and handle

**ACCESSORIES**

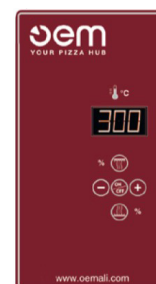
- OMSU361 - Painted steel stand
- OMO7305- Neutral chamber
- OMO7311 - Heated chamber
- OME3L36RO - Set of 7 slide bars for trays
- OME3L37RO - Central element for slide bars (required with OME3L36RO)
- OMAC100RO - Set of 4 wheels, 2 with brakes

**Also Available**

- DOMITOR630LEM - Single Chamber - Electromechanical
- DOMITOR630LDG - Single Chamber - Digital
- DOMITOR1230LEM - Double Chamber - Electromechanical
- DOMITOR1230LDG - Double Chamber - Digital



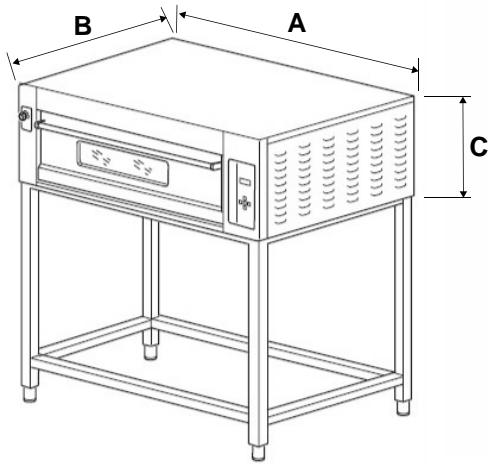
Electromechanical



Digital

# DOMITOR630L DOMITOR1230L

## Electric Pizza Deck Oven



DOMITOR630L



DOMITOR1230L

### SPECIFICATIONS - DOMITOR630L

#### External Dimensions

Width (A)	1250mm
Depth (B)	970mm
Height (C)	400mm

#### Internal Dimensions

Width (A)	930mm
Depth (B)	630mm
Height (C)	105mm

### SPECIFICATIONS - DOMITOR1230L

#### External Dimensions

Width (A)	1250mm
Depth (B)	970mm
Height (C)	730mm

#### Internal Dimensions

Width (A)	930mm
Depth (B)	630mm
Height (C)	105mm

#### Electrical Requirements

400V, 3P+N+E, 50Hz, 7.8kW

#### Nett Weight

106kg

#### Electrical Requirements

400V, 3P+N+E, 50Hz, 15.6kW

#### Nett Weight

181kg

moffat.com.au  
moffat.co.nz

Australia  
moffat.com.au  
Moffat Pty Limited

Victoria/Tasmania  
740 Springvale Road  
Mulgrave, Victoria 3170  
Telephone +613-9518 3888  
Facsimile +613-9518 3833  
vsales@moffat.com.au

New South Wales  
Telephone +612-8833 4111  
nswsales@moffat.com.au

South Australia  
Telephone +613-9518 3888  
vsales@moffat.com.au

Queensland  
Telephone +617-3630 8600  
qldsales@moffat.com.au

Western Australia  
Telephone +618-9413 2400  
wasales@moffat.com.au

New Zealand  
moffat.co.nz

Moffat Limited

Rolleston  
45 Illinois Drive  
Izone Business Hub  
Rolleston 7675  
Telephone +64 3-983 6600  
Facsimile +64 3-983 6660  
sales@moffat.co.nz

Auckland  
Telephone +64 9-574 3150  
sales@moffat.co.nz



In line with policy to continually develop and improve its products, Moffat Limited reserves the right to change specifications and design without notice. This specification sheet is meant for commercial purpose only. For technical documentation please refer to our service manuals.

© Copyright Moffat Ltd  
AN.O.0521

an Ali Group Company



The Spirit of Excellence