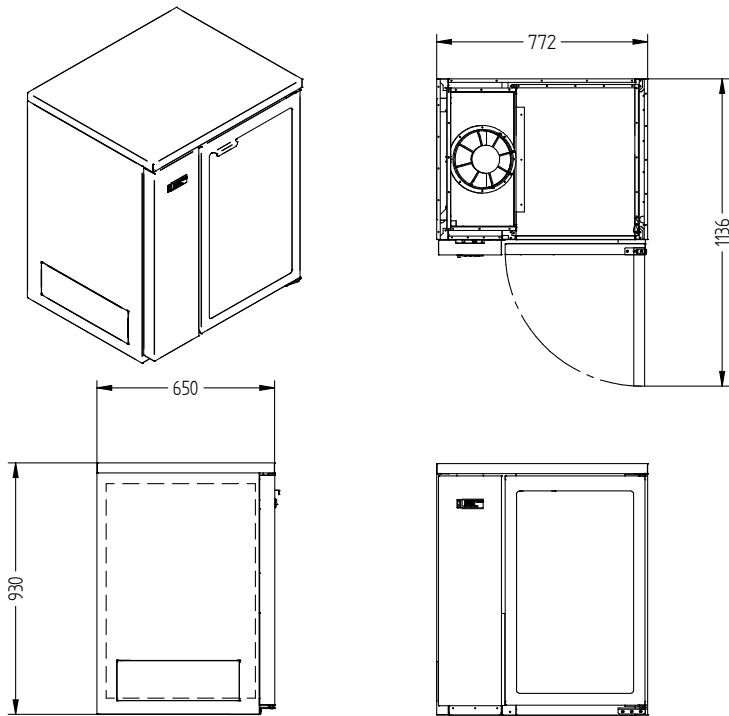


HC1R



CATEGORY	GENERAL COUNTERS & BACK BARS
RANGE	CAMEO
UNIT	REFRIGERATOR
TYPE	REMOTE
DOORS	1



SPECIFICATIONS

CAPACITY LITRES	200
TEMPERATURE	1°C / 4°C
DIMENSIONS - W X D X H (ON LEGS) MM	772 W x 650 D x 1080 H
WEIGHT UNPACKED (KG)	120

STANDARD INCLUSIONS ***

DOOR TYPE	Standard: G (Glass Door) Optional: S (Solid Door)
FINISH	B (Black with stainless steel countertop and internal floor) or S (Stainless Steel) interior and exterior excluding rear and under
SHELVES/DOOR	2

ELECTRICAL

POWER SUPPLY	10 amp
FRIDGE MODELS	RUNNING AMPS
	0.7

GAS TYPE

REFRIGERANT	R404a
--------------------	-------

REFRIGERATION WATTAGES FOR REMOTE UNITS

REMOTE WATTAGES	350 @ -5°C SST
------------------------	----------------

*** For **OPTIONS** refer to the current Williams Price Guide