



# Eswood

# Professional

# Glasswasher

**IW3N**

Professional Undercounter Glasswasher



# Eswood

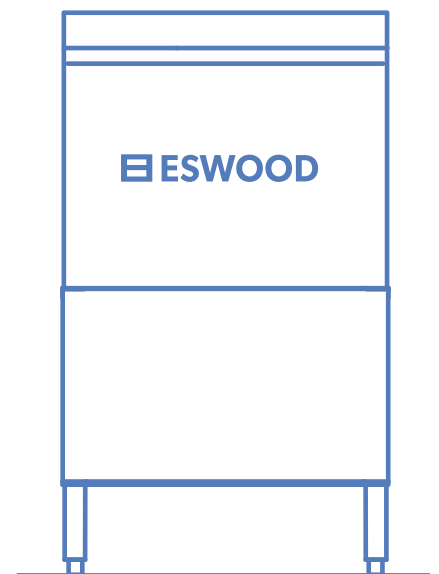
## Professional Undercounter Glasswasher

Eswood IW3N incorporates a powerful wash pump and boost heater to maintain optimum wash quality and provide fast turnaround of up to 1800 glasses per hour.

Simple push-button controls activate the fully automatic operation with either a hot cycle or a hot cycle followed by a cooling cycle.

New digital temperature display for easy temperature recording in controlled environments.

The IW3N conforms to the highest of health and sanitary standards, meeting FSANZ safe food codes and certifications in HACCP and WaterMark.





---

Up to 1800 glasses per hour

---

Selectable cold rinse

---

Easy to use controls

---

Durable stainless-steel body construction and wash arms

---

Accurate digital temperature controller and displays

---

---

Safety cut-off fitted to door

---

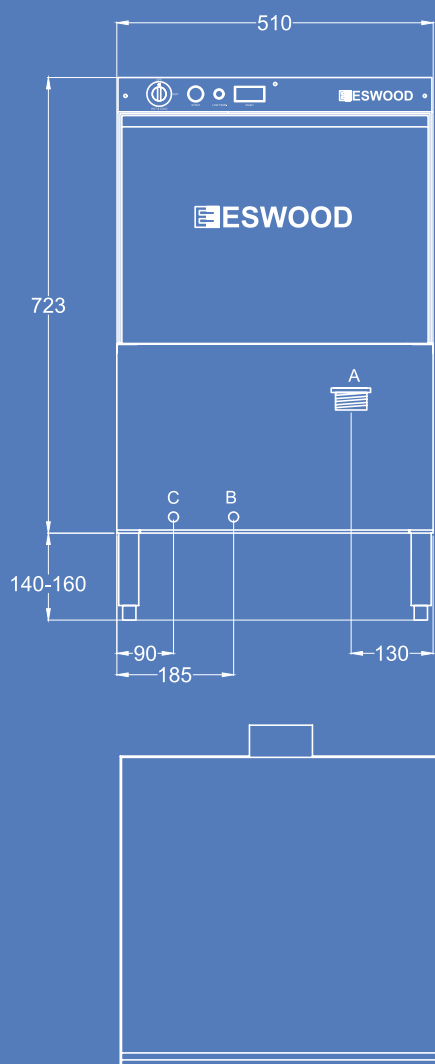
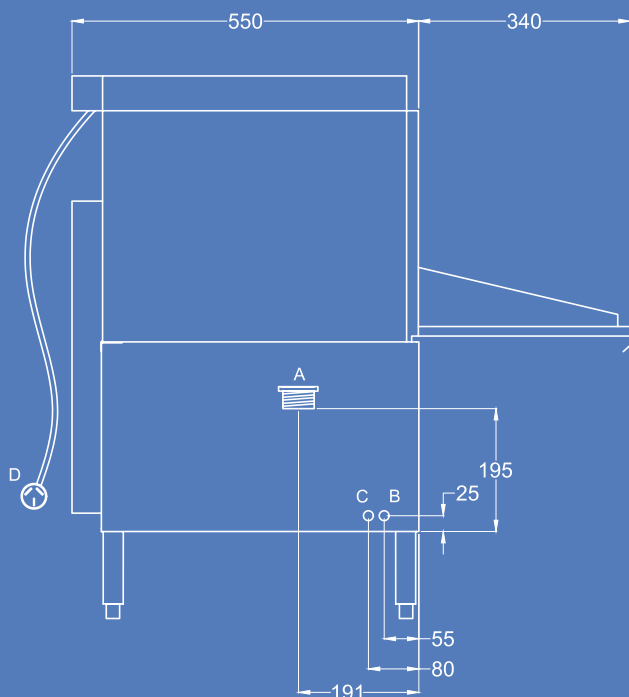
Easily removable spray arms and filters

---

Supplied with 430 x 360 flat rack,  
plate/saucer support and cutlery basket

---

- A. Drain 2" BSP gravity.
- B. Hot Water Supply 3/4" BSP x 1.5m braided hose
- C. Cold Water Supply 3/4" BSP x 1.5m braided hose
- D. Electrical connection - 2m 15A plug



# IW3N

## Professional Undercounter Glasswasher

### IW3N Specifications

<b>DIMENSIONS (WxDxH)</b>	510 x 550 x 875 mm
<b>DEPTH WITH DOOR OPEN</b>	890 mm
<b>RACK SIZE – G74N (WxD)</b>	430 x 360 or 400 x 400 mm
<b>WEIGHT</b>	40 kg
<b>ELECTRIC CONNECTION</b>	15A Single Phase
<b>RATING</b>	3.6 kW
<b>WATER SUPPLY</b>	65°C / 1-4 bar (15-58 psi)
<b>PACKED</b>	0.2 m <sup>3</sup>
<b>MEAL SERVICE</b>	1800 glasses / hour
<b>WASH CYCLE</b>	50 sec Hot Cycle 50 sec Hot & Cold Cycle
<b>DETERGENT PUMP</b>	Fitted
<b>WATER CONSUMPTION</b>	7L Hot Cycle 7L Hot & 3L Cold Cycle
<b>TANK CAPACITY</b>	12L
<b>WATERMARK APPROVAL</b>	WM-022833
<b>HACCP APPROVAL</b>	PE-388-GE-09

Dimensions may change without notice in accordance with product development and design

Proudly Distributed By

**middleby.com.au**

211-217 Woodpark Road SMITHFIELD NSW 2164

T: 1800 013 123

E: sales@middleby.com.au

**ESWOOD**

**MIDDLEBY AUSTRALIA**