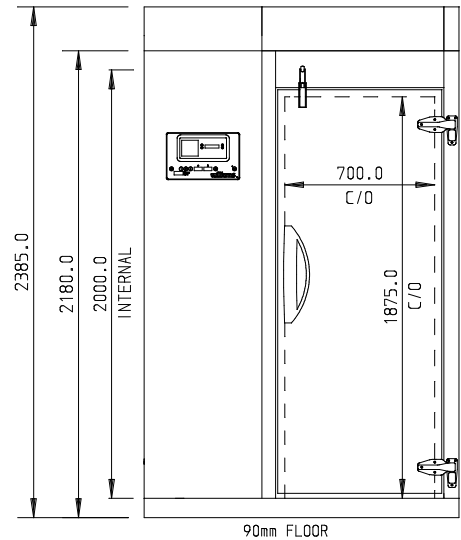
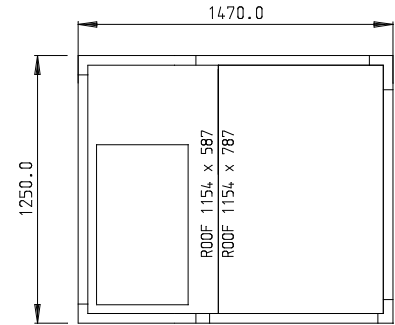
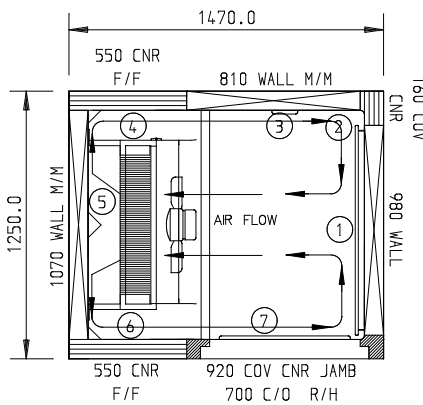


WMBCF200



CATEGORY	BLAST CHILLER/FREEZERS
RANGE	Blast Chiller Roll In 700mm
UNIT	CHILLER/FREEZER
TYPE	REMOTE
DOORS	1



SPECIFICATIONS

CAPACITY - CHILLING/FREEZING PER 90/240 MIN CYCLE #	200 kg
CAPACITY 2/1 TROLLEY BLAST CHILLER/FREEZER	1
DIMENSIONS W X D X H MM	1474 W x 1250 D x 2385 H
WEIGHT UNPACKED (KG)	650 kg
DOOR TYPE	SD (Solid Door)
FINISH (INTERIOR AND EXTERIOR)	SS (Stainless Steel)

ELECTRICAL

POWER SUPPLY -	3 PHASE*	16 / 20 amp
FRIDGE MODELS	BLAST RUNNING AMPS	5.2 / 9.0

GAS TYPE

REFRIGERANT	R404a
--------------------	-------

REFRIGERATION WATTAGES FOR REMOTE UNITS

CHILLER/FREEZER	21.0kW @ -15°C SST
------------------------	--------------------

*Blast Chiller/Freezers are rated for 415 v 50 Hz Three Phase

**All Freezer and Chiller/Freezer models are supplied with additional 90 mm floor

Based on Blast chilling of 50 mm max depth of uncovered dense food such as mashed potato. Times will vary depending on the container and food types as well as the thermal conductivity of the food