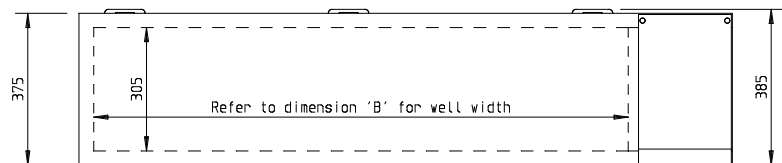
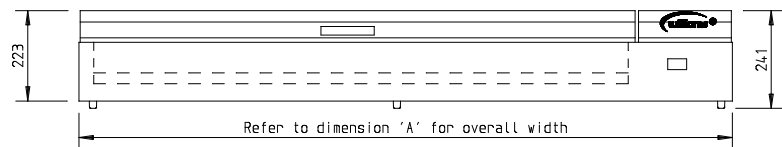
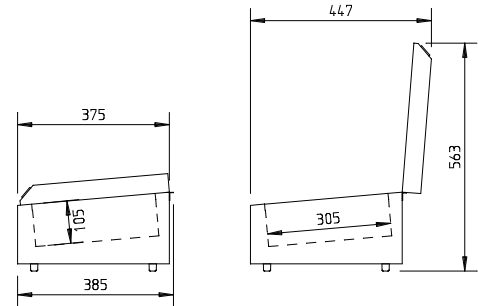


TW18



| | |
|----------|----------------------|
| CATEGORY | PREPARATION COUNTERS |
| RANGE | Thermowell |
| UNIT | REFRIGERATOR |
| TYPE | SELF CONTAINED |
| LID | YES |

| Model | Dimension 'A' | Dimension 'B' |
|-------|---------------|---------------|
| TW18 | 1862mm | 1569mm |



SPECIFICATIONS

| | |
|---|--------------------------|
| CAPACITY (GN PANS EXCLUDED) | 9 X 1/3 X 100 mm Gn pans |
| DIMENSIONS - W X D X H MM | 1862 W x 385 D x 241 H |
| WEIGHT UNPACKED (KG) | 50 |
| FINISH (INTERIOR AND EXTERIOR EXCLUDING UNDER) | SS (Stainless Steel) |

ELECTRICAL

| | |
|------------------------------------|--------|
| POWER SUPPLY | 10 amp |
| POWER CABLE LENGTH (METRES) | 2 |
| RUNNING AMPS | 1.3 |

GAS TYPE

| | |
|--------------------|-------|
| REFRIGERANT | R134a |
|--------------------|-------|

*** For **OPTIONS** refer to the current Williams Price Guide