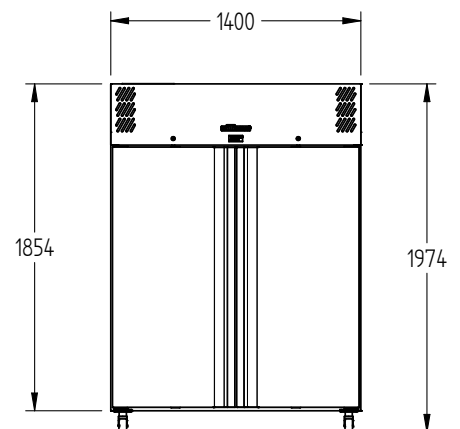
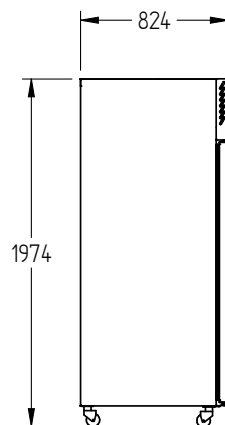
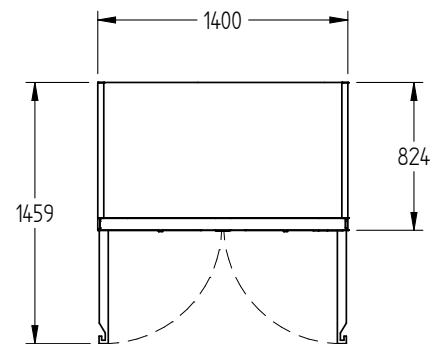


RGB2SS



| | |
|----------|----------------------|
| CATEGORY | BAKERY |
| RANGE | Garnet Bakery |
| UNIT | RETARDER |
| TYPE | SELF CONTAINED |
| DOORS | 2 |



SPECIFICATIONS

| | |
|--|-------------------------|
| CAPACITY LITRES | 1270 |
| TEMPERATURE - 43°C AMBIENT ENVIRONMENT | -5°C / +3°C |
| DIMENSIONS - W X D X H (ON CASTORS) MM | 1400 W x 824 D x 1974 H |
| WEIGHT UNPACKED (KG) | 220 |

STANDARD INCLUSIONS ***

| | |
|---|--------------------------|
| DOOR TYPE | Standard: S (Solid Door) |
| FINISH (INTERIOR AND EXTERIOR EXCLUDING REAR AND UNDER) | S (Stainless Steel) |
| TRAY SLIDES PER DOOR (NO TRAYS OR SHELVES SUPPLIED)(ACCOMODATES 600 MM X 400MM TRAYS) | 10 |

ELECTRICAL

| | |
|-----------------------------|--------|
| POWER SUPPLY | 10 amp |
| POWER CABLE LENGTH (METRES) | 2 |
| RUNNING AMPS | 5.3 |

GAS TYPE

| | |
|-------------|-------|
| REFRIGERANT | R134a |
|-------------|-------|

REFRIGERATION WATTAGES FOR OPTIONAL REMOTE UNITS

| | |
|-----------------------------|----------------|
| FRIDGE MODELS - SOLID DOORS | 670 @ -5°C SST |
|-----------------------------|----------------|

*** For **OPTIONS** refer to the current Williams Price Guide