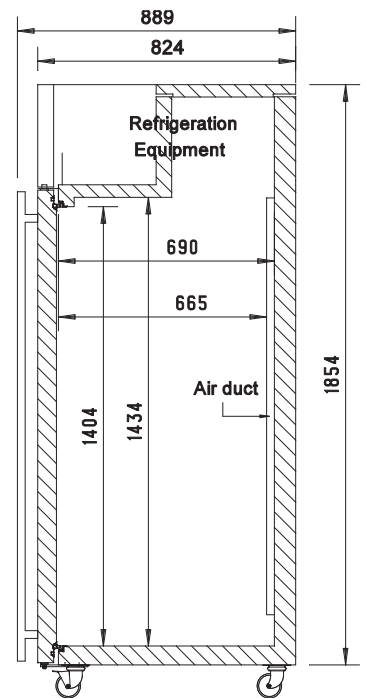
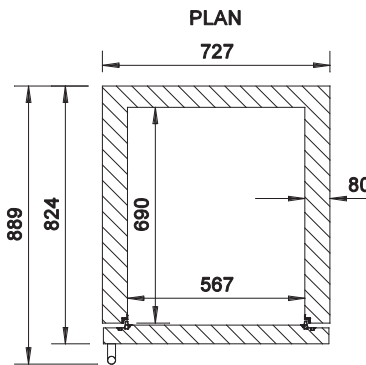
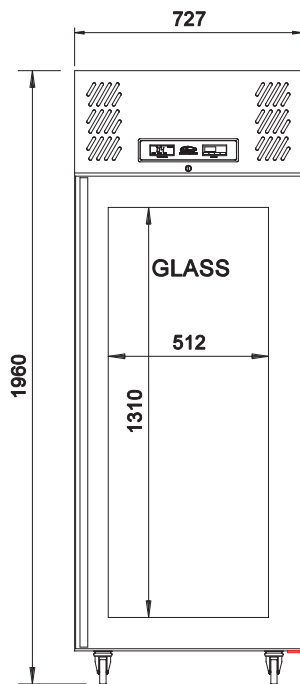


# MAR1-HC



CATEGORY	HYDROCARBON
RANGE	<b>Meat ageing refrigerator</b>
UNIT	DRY AGE REFRIGERATOR
TYPE	SELF CONTAINED
DOORS	1



## SPECIFICATIONS

CAPACITY LITRES	620
TEMPERATURE	1°C / 6°C
DIMENSIONS - W X D X H (ON CASTORS) MM	727 W x 889 D x 1960 H
WEIGHT UNPACKED (KG)	230

## STANDARD INCLUSIONS

DOOR TYPE	Standard: GD (Glass Door)
FINISH (INTERIOR AND EXTERIOR EXCLUDING REAR AND UNDER)	SS (Stainless Steel)
SHELVES/DOOR	4

## ELECTRICAL

POWER SUPPLY	10 amp
POWER CABLE LENGTH (METRES)	2
RUNNING AMPS	1.65

## GAS TYPE

REFRIGERANT	R290
-------------	------