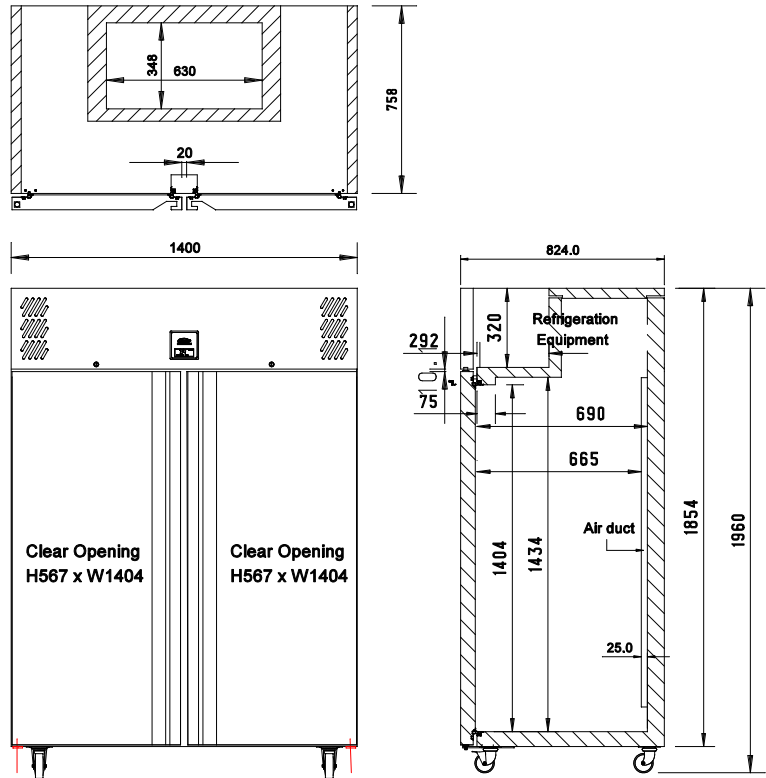


HJ2SA-HC



CATEGORY	HYDROCARBON
RANGE	Jade
UNIT	REFRIGERATOR
TYPE	SELF CONTAINED
DOORS	2



SPECIFICATIONS

CAPACITY LITRES	1295
TEMPERATURE	1°C / 4°C
DIMENSIONS - W X D X H (ON CASTORS) MM	1400 W x 824 D x 1960 H
WEIGHT UNPACKED (KG)	250

STANDARD INCLUSIONS

DOOR TYPE	SD (Solid Door)
FINISH (INTERIOR AND EXTERIOR EXCLUDING REAR AND UNDER)	SA (Stainless Steel Exterior, Aluminium Interior)
SHELVES/DOOR (ADJUSTABLE STRIPS AND CLIPS)	3

GAS TYPE

REFRIGERANT	R290
-------------	------

ELECTRICAL

POWER SUPPLY	10 amp
POWER CABLE LENGTH (METRES)	2
RUNNING AMPS	1.4

PERFORMANCE

KWH/24HR READING	3.1
TEST STANDARD	EN 16825 (Professional)
TEST CONDITIONS	4 M1
AMBIENT RATING	43°C