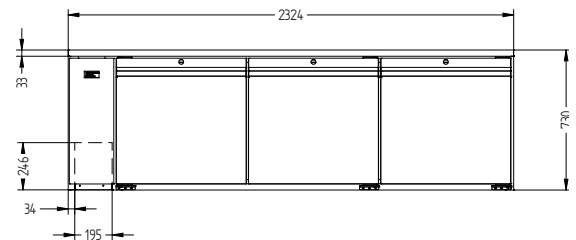
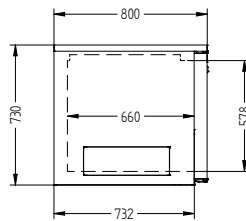
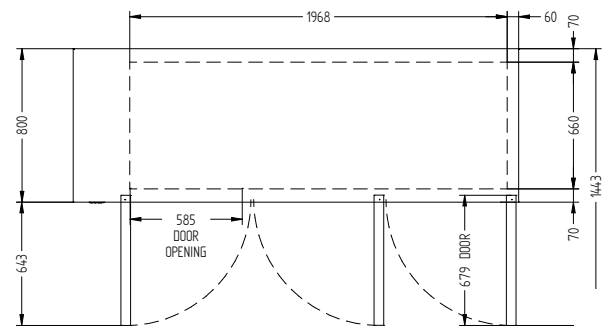
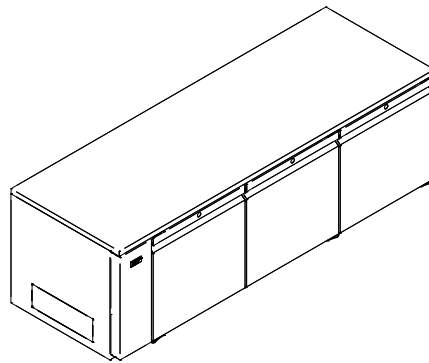


HE3RSS



| | |
|----------|----------------------|
| CATEGORY | FOODSERVICE COUNTERS |
| RANGE | Emerald |
| UNIT | REFRIGERATOR |
| TYPE | REMOTE |
| DOORS | 3 |



SPECIFICATIONS

| | |
|---|------------------------|
| CAPACITY LITRES | 900 |
| TEMPERATURE | 1°C / 4°C |
| DIMENSIONS - W X D X H (ON 150 MM H LEGS) | 2324 W x 800 D x 880 H |
| WEIGHT UNPACKED (KG) | 200 |

STANDARD INCLUSIONS ***

| | |
|---|---|
| DOOR TYPE | Standard: SD (Solid Door) Optional: DR (Drawer), PT (Pass Through) |
| FINISH (INTERIOR AND EXTERIOR EXCLUDING REAR AND UNDER) | SS (Stainless Steel) |
| SHELVES/DOOR | 2 |

ELECTRICAL

| | | |
|---------------|--------------|-----|
| POWER SUPPLY | 10 amp | |
| FRIDGE MODELS | RUNNING AMPS | 0.6 |

GAS TYPE

| | | |
|-------------|---------------|-------|
| REFRIGERANT | FRIDGE MODELS | R404a |
|-------------|---------------|-------|

REFRIGERATION WATTAGES FOR REMOTE UNITS

| | |
|----------------------------|----------------|
| FRIDGE MODELS - SOLID DOOR | 650 @ -5°C SST |
|----------------------------|----------------|

*** For **OPTIONS** refer to the current Williams Price Guide