



ASIAN COOKING RANGES, WOKS

with side Burners

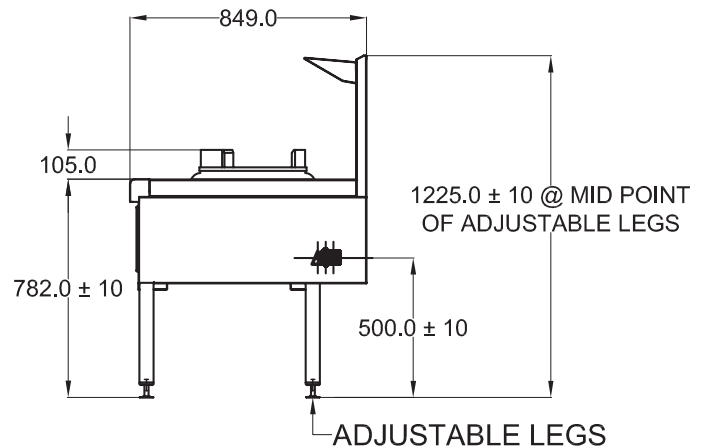
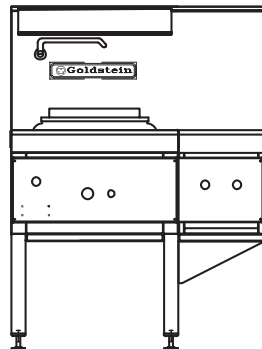
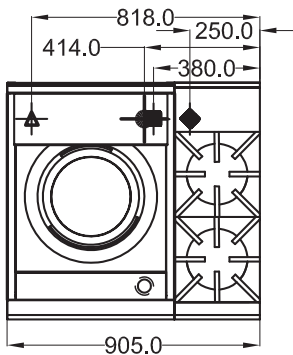
CWA1B2 – Gas

- Air cooled decks for maximum water efficiency – saves 90% of water usage
- Fresh water swivel spout with tap
- Manually operated water control tap
- All stainless steel construction
- Heavy duty dual ringed burner
- Heavy duty duckbill burner

Other options

Front or rear drain trough

Any combination of burners arrangement – Double ring, Mongolian or Duckbill burners



CWA1B2 2 burners

SPECIFICATIONS

Dimensions (WxDxH)	905 x 850 x 1225 mm
Working height	900 mm
Wok size (diameter)	356 mm
Wok type	Dual Ring / Mongolian / Duckbill

- ◆ 3/4" BSB Gas Inlet
- ▲ 1/2" BSP Water Inlet
- ✦ 1 1/2" Waste Drain

Gas Connection	3/4" BSP
Rating	Dual Ring 106 Mj Mongolian 142 Mj Duckbill 172 Mj
Weight	80 kg
Packed	1.2 m ³

Australia's premier food service equipment manufacturer

middleby.com.au

211-217 Woodpark Road, Smithfield NSW 2164
1800 013 123 | +61 2 9604 7333

 **MIDDLEBY AUSTRALIA**

