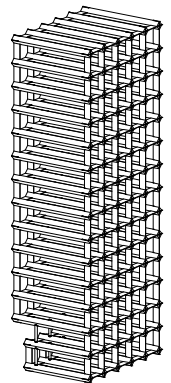
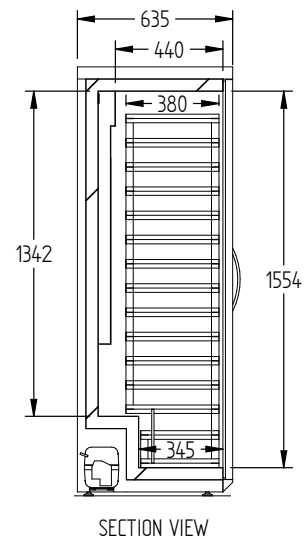
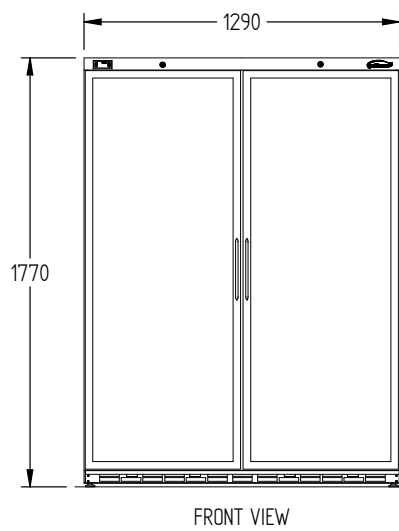
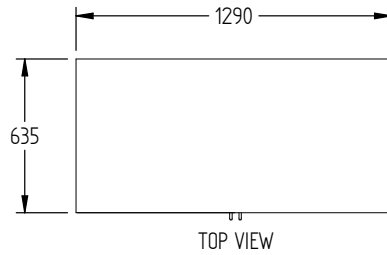


BC200W-DR



CATEGORY	GENERAL COUNTERS & BACK BARS
RANGE	Wine cabinet
UNIT	REFRIGERATOR
TYPE	SELF CONTAINED
DOORS	2



SPECIFICATIONS

TEMPERATURE (32°C / 65% HUMIDITY ENVIRONMENT)	4°C / 22°C
CAPACITY BOTTLES (@750ML)	140
DIMENSIONS - W X D X H (BC200W) MM	1290 W x 635 D x 1770 H
WEIGHT UNPACKED (KG)	220
DOOR TYPE	GD (Glass Door)
FINISH (INTERIOR AND EXTERIOR EXCLUDING REAR AND UNDER)	Black exterior, Stainless Steel interior
SHELVES/DOOR	NIL
ELECTRICAL	
POWER SUPPLY	10 amp
RUNNING AMPS	2.3
GAS TYPE	
REFRIGERANT	R134a

*** For **OPTIONS** refer to the current Williams Price Guide