

The Ascott Liquor Cabinet*

eclipse
HANDCRAFTED FURNITURE

* All of the below product specifications can be customised to suit your requirements. Including; size, timber, finish, configuration & hardware.

Product Specifications

Size:	1800 x 900 x 500
Timber species:	Messmate
Timber description / colour:	Walnut (Stain)
Finish:	Osmo Clear Satin
Internal Configuration / Details:	<ul style="list-style-type: none"> - 1 x Wine Rack - 1 x Wide Drawer - 1 x Prep Shelf - 1 x Small Drawer - Cavities as per drawings - Finger Joins on Cabinet Doors
Additional Hardware:	<ul style="list-style-type: none"> - Brassed Wine Glass Holders - Metal Base - Metal Handles - Metal Bars for Doors - Prep Shelf (Fenix Board - Black)

Timber & Finish Options:



Tasmanian Oak
(Clear)



Messmate
(Clear)



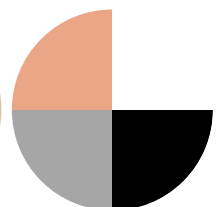
Spotted Gum
(Clear)



Blackbutt
(Clear)



Raw



Custom
Lacquer



Black
(Stain)



50% Smoke
(Stain)



Italian Walnut
(Stain)



Ash
(Stain)



Walnut
(Stain)



Custom Stain

Please note: Timber Reference is indicative guide only

As timber is a natural material please be aware that variation will occur. Timber colour, grain and natural feature will always be different.

Timber reference images are a guide for Eclipse when selecting timber for your furniture. You may be sent images of a timber selection for your approval.



1

2

3

4

A

B

C

D

E

F

A

B

C

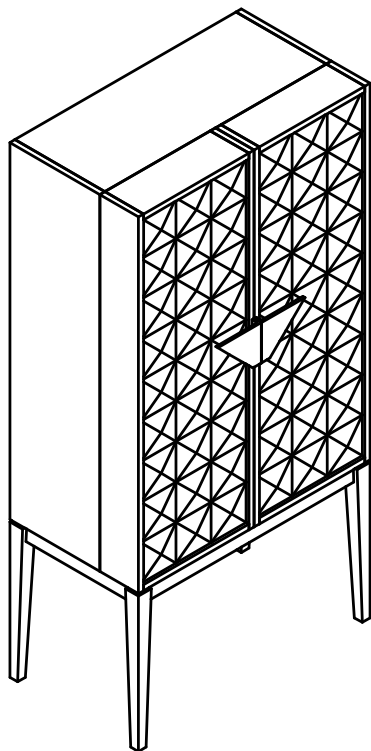
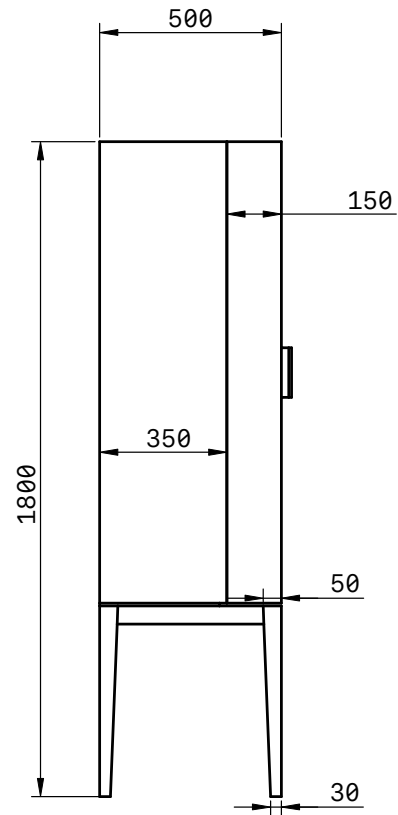
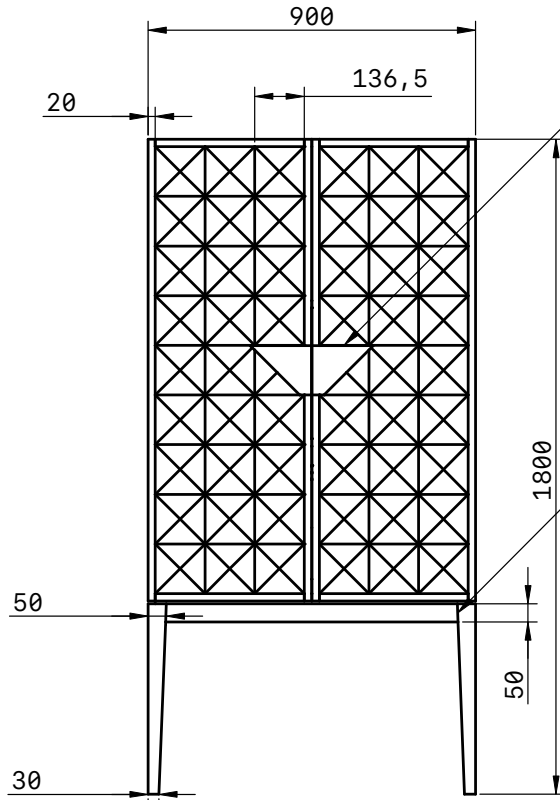
D

E

F

Textured & Brassed Metal Handles

Textured & Brassed Metal Base



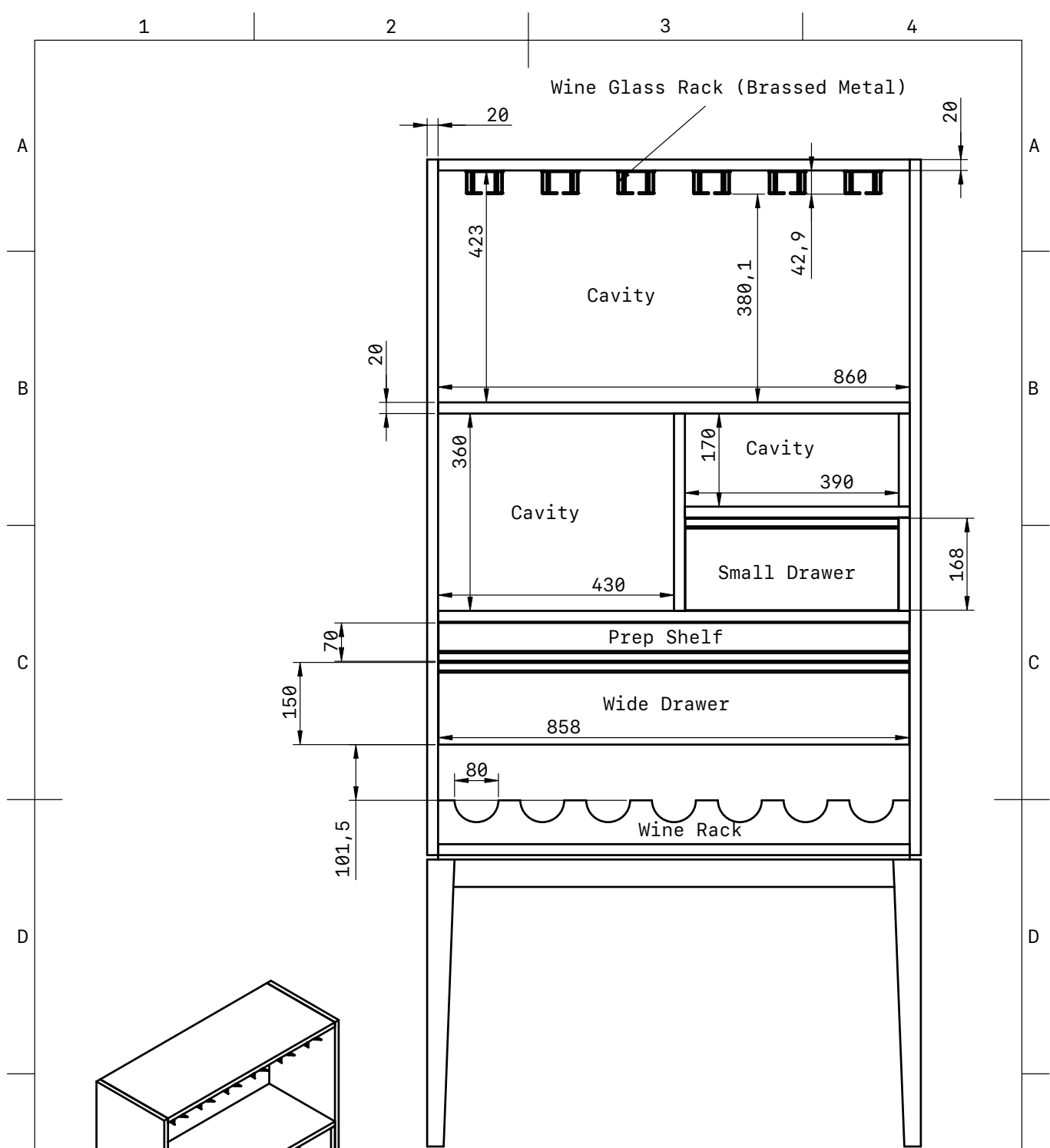
TITLE		
Ascott - Technical Draw...		
LAST UPDATED	UNITS	SHEET
05/16/22	mm	1 / 1
FIRST ANGLE PROJECTION	SCALE	SIZE
	1:20	A4

1

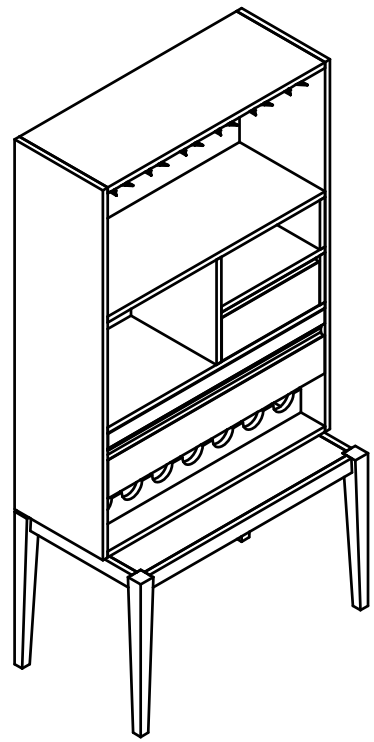
2

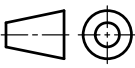
3

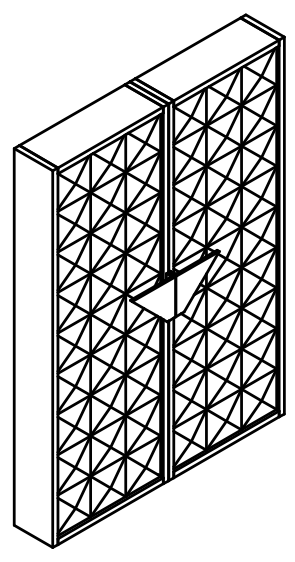
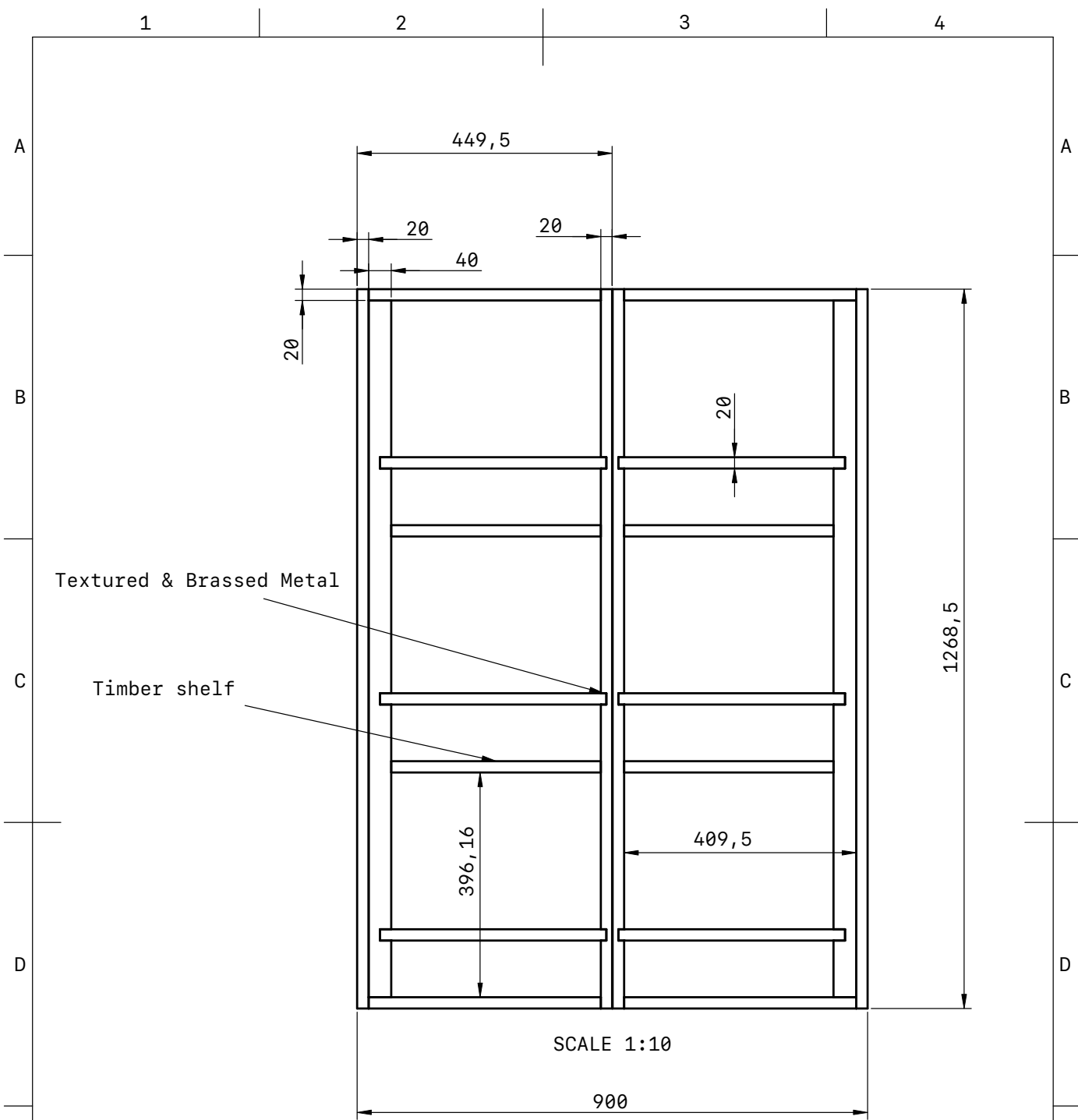
4

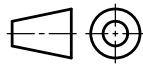


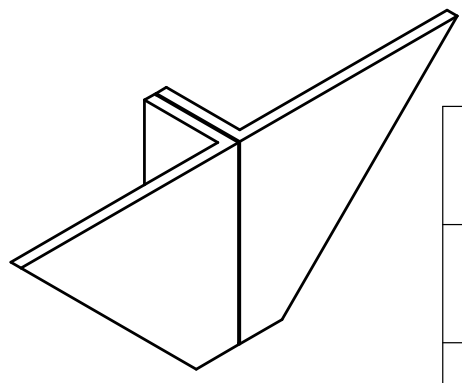
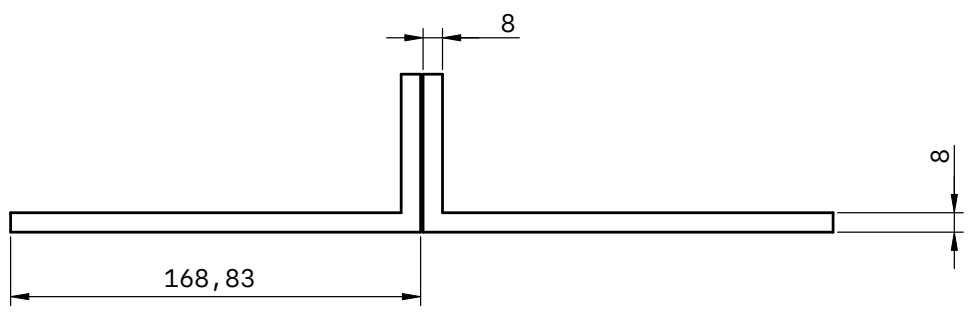
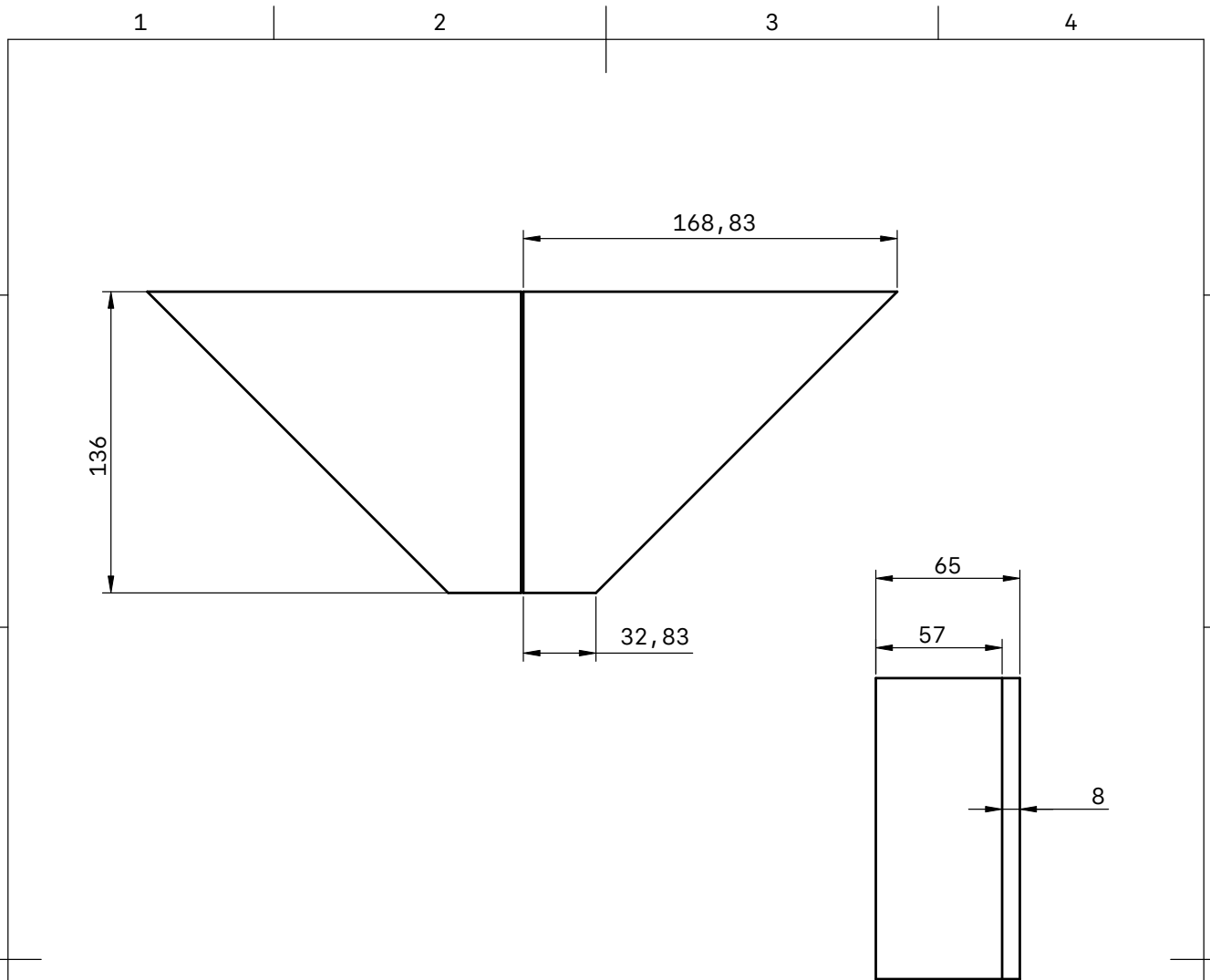
SCALE 1:10



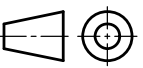
TITLE		
Ascott - Tech Drawings 2		
LAST UPDATED	UNITS	SHEET
05/12/22	mm	1 / 1
FIRST ANGLE PROJECTION	SCALE	SIZE
	1:20	A4

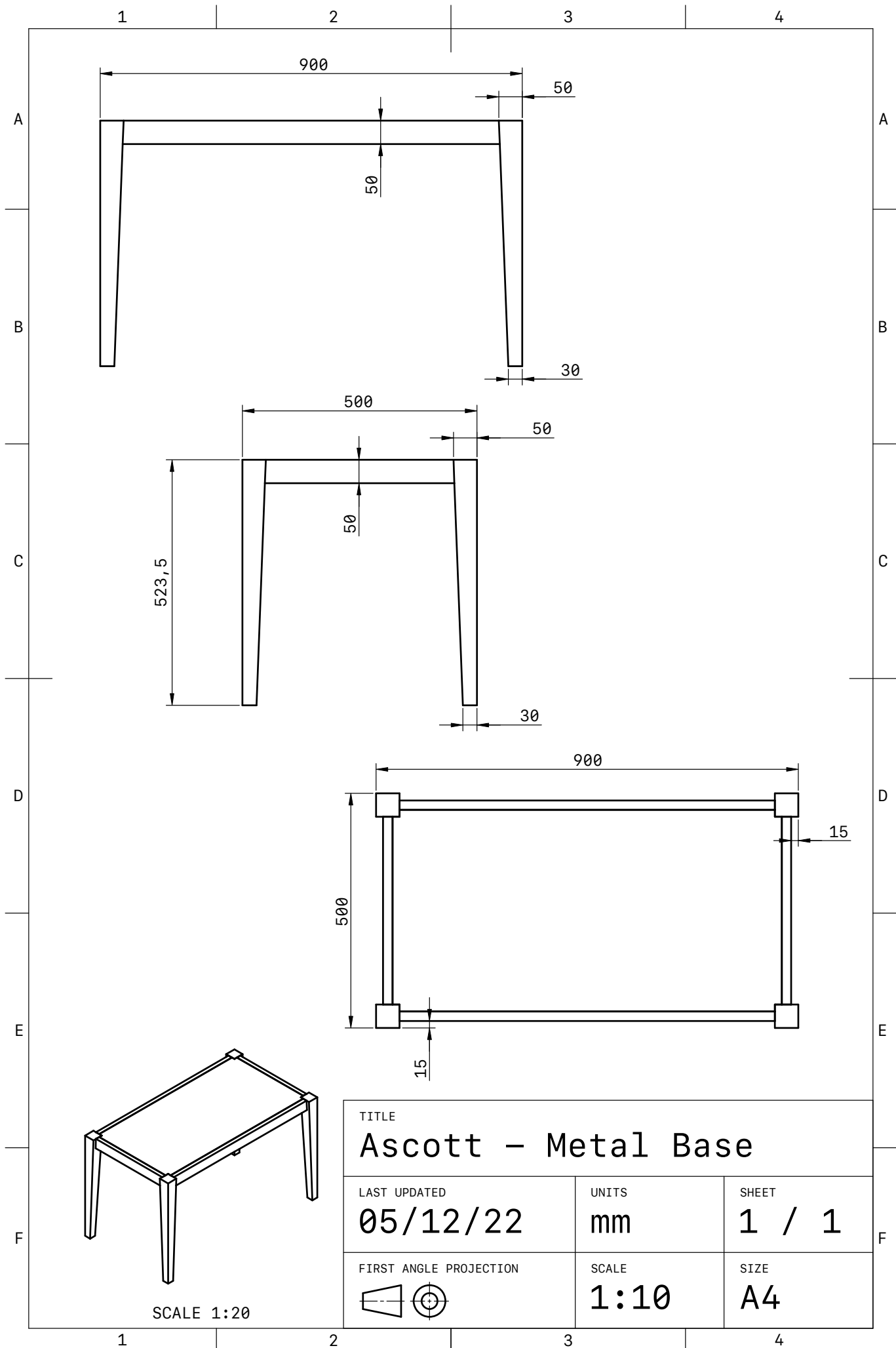


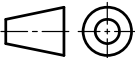
TITLE		
Ascott - Tech Drawings 3		
LAST UPDATED	UNITS	SHEET
05/16/22	mm	1 / 1
FIRST ANGLE PROJECTION	SCALE	SIZE
	1:20	A4



SCALE 1:4

TITLE Ascott - Metal Handles		
LAST UPDATED 05/16/22	UNITS mm	SHEET 1 / 1
FIRST ANGLE PROJECTION 	SCALE 1:3	SIZE A4



TITLE		
Ascott - Metal Base		
LAST UPDATED	UNITS	SHEET
05/12/22	mm	1 / 1
FIRST ANGLE PROJECTION	SCALE	SIZE
	1:10	A4

1

2

3

4

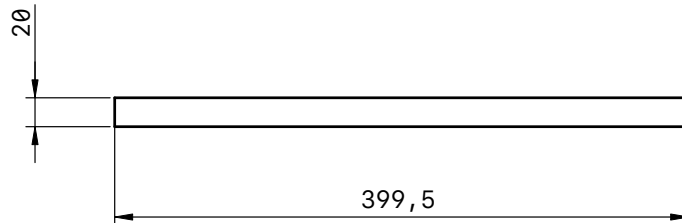
A

A

B

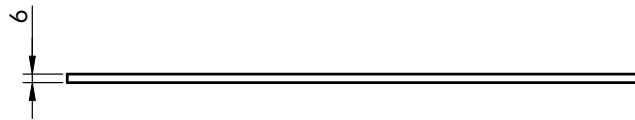
B

6 of these will be required



C

C

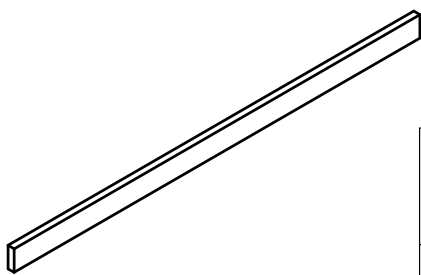


D

D

E

E



F

F

TITLE

Ascott - Metal Door Bars

LAST UPDATED

05/12/22

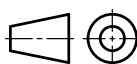
UNITS

mm

SHEET

1 / 1

FIRST ANGLE PROJECTION



SCALE

1:5

SIZE

A4

1

2

3

4

