



DINER  
VHRP-1400  
7-IN-1 TURNTABLE MUSIC CENTER



## Instruction Manual

Please read carefully before use and keep for future reference

# WARNING



**CAUTION:** To reduce the risk of fire or electric shock, do not expose this appliance to rain or moisture.



**WARNING:** Invisible laser radiation when open and interlock failed or defeated. Avoid direct exposure to laser beam.



This equipment is a Class II or double insulated electrical appliance. It has been designed in such a way that it does not require a safety connection to electrical grounding.

## Important Safety Instructions

1. Read these instructions – All the safety and operating instructions should be read before this product is operated.
2. Keep these instructions – The safety and operating instructions should be retained for future reference.
3. Heed all warnings – All warnings on the appliance and in the operating instructions should be adhered to.
4. Follow all instructions – All operating and use instructions should be followed.
5. Do not use this apparatus near water – The appliance should not be used near water or moisture – for example, in a wet basement or near a swimming pool, and the like.
6. Clean only with a dry cloth.
7. Do not block any ventilation openings. Install in accordance with the manufacturer's instructions.
8. Do not install near any heat sources such as radiators, heat registers, stoves, or other apparatus (including amplifiers) that produce heat.
9. Protect the power cord from being walked on or pinched particularly at the plugs, power outlets, and at the point where they exit from the apparatus.
10. Only use attachments/accessories specified by the manufacturer.
11. Use only with the cart, stand, tripod, bracket, or table specified by the manufacturer, or sold with the apparatus. When a cart or rack is used, use caution when moving the cart/apparatus combination to avoid injury from tip-over.
12. Unplug the apparatus during lighting storms or when unused for long periods of time.
13. Refer all servicing to qualified personnel. Servicing is required when the apparatus has been damaged in any way, such as power supply cord or plug is damaged, liquid has been spilled or objects have fallen into the apparatus has been exposed to rain or moisture, does not operate normally, or has been dropped.
14. The mains plug is used as disconnect device, the disconnect device shall remain readily operable.
15. **WARNING:** To reduce the risk of fire or electric shock, do not expose this apparatus to rain or moisture. The apparatus shall not be exposed to dripping or splashing and that no objects filled with liquids, such as vases, shall not be placed on apparatus.
16. The use of the equipment in moderate climate.
17. The ventilation should not be impeded by covering the ventilation openings with items, such as newspapers, tablecloths, curtains, etc.
18. Do not place open flame sources, such as lighted candles, on the apparatus.
19. The symbol with  $\sim$  indicates AC voltage.
20. **CAUTION,** These servicing instructions are for use by qualified service personnel only. To reduce the risk of electric shock do not perform any servicing other than that contained in the operating instructions unless you are qualified to do so. **Caution:** For pluggable equipment, the socket-outlet shall be easily ACCESSIBLE



This lightning flash with arrowhead symbol within an equilateral triangle is intended to alert the user to the presence of non-insulated "dangerous voltage" within the product's enclosure that may be of sufficient magnitude to constitute a risk of electric shock. **Warning:** To reduce the risk of electric shock, do not remove cover (or back) as there are no user-serviceable parts inside. Refer servicing to qualified personnel. The exclamation point within and equilateral triangle is intended to alert the user to the presence of important operating and maintenance instructions in the literature accompanying the appliance.



# TABLE OF CONTENTS

FEATURES .....	4
SPECIFICATIONS .....	4
PRODUCT OVERVIEW .....	5
REMOTE CONTROL .....	6
SETUP & BASIC OPERATION .....	8
LISTENING TO THE RADIO .....	9
LISTENING TO AUX DEVICE .....	10
LISTENING TO BLUETOOTH® DEVICE .....	10
LISTENING TO A RECORD .....	11
LISTENING TO A CD/CD-MP3 .....	11
PLAYING MUSIC FROM USB DEVICE .....	13
CD ENCODING .....	15
PHONO/AUX/BLUETOOTH ENCODING .....	15
MAINTENANCE .....	16
TROUBLESHOOTING .....	16
FCC NOTICE .....	16
CAUTION ON MODIFICATION .....	16
SUPPORT .....	18

# FEATURES

DINER 7-in-1 Turntable Music Center is loaded with modern features within a great 1950's Diner Design. The built in 3-Speed Turntable, CD & AM/FM Radio are ready to play all your favorite songs! The Dual Bluetooth feature allows streaming of your vinyl records to an external Bluetooth Speaker or plays music from your Smart Device through the Diner's built in Speakers. The Aux Input allows for even more additional Playback options!

- 3-Speed record player will play 33 1/3, 45, 78 RPM records
- Bluetooth® In connectivity allows you to stream music from another source up to 33 feet
- Bluetooth® Out connectivity allows you to stream vinyl playback through any external Bluetooth® speakers
- CD/MP3 Player
- USB input for Playback & One Touch Recording of your favorite music
- AM/FM Radio
- Includes Aux Input & Headphone Jack for additional connectivity options
- Built in Stereo Speakers for playback convenience

# SPECIFICATIONS

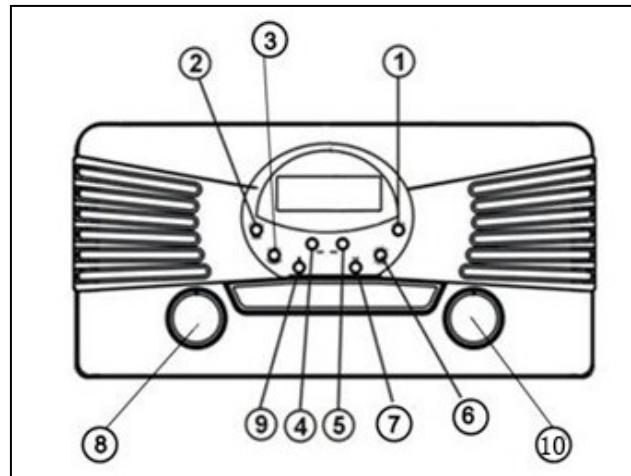
Product Name	DINER (7-IN-1 Turntable Music Center)
Turntable Speed	33 1/3, 45, 78 RPM
FM Frequency Range	87.5 to 108 MHz
FM Station Memory	Up to 9
AM Frequency Range	520 to 1710 KHz
AM Station Memory	Up to 9
Bluetooth® Version	5.0
Bluetooth® Frequency	2.402 GHz-2.480 GHz
Bluetooth® Operating Distance	Up to 33 Feet (10 Meters)*
Input	USB, Line In/Aux in
Output	Line Out, Headphone x 1
Built-in Speakers	3" x 2
Speaker Output Power	2W x 2
Power Consumption	25W
Power Source	AC 120V 60Hz
Accessories Included	Remote Control, RCA cable, User Manual, Quick Set Up Guide

\*Distance may vary depending on any objects or interference between devices.

SPECIFICATIONS AND ACCESSORIES ARE SUBJECT TO CHANGE WITHOUT NOTICE

# PRODUCT OVERVIEW

Front View



- 1. FUNCTION:** select a source (CD, AM, FM, BLUETOOTH, PHONO, USB or AUX)
- 2. OPEN/CLOSE/DELETE:** In CD/CD-MP3 mode, use to open and close the disc tray/ In USB mode, Use this button to delete an USB track.
- 3. REC:** In CD, CD-MP3, PHONO, BLUETOOTH and AUX-in mode, short press to enter record mode. Press again to end of the recording.
- 4. PREVIOUS TRACK/REWIND (◀◀):** In CD, CD-MP3 mode, press (◀◀) once to restart the current track, press (◀◀) twice in succession to return to the beginning of the previous track. In USB mode, press once to skip to previous track. Long press fast rewind. In radio mode, short press to tune a station. Long press to auto search the station. In radio preset mode, press to select a location where you want to preset.
- 5. NEXT TRACK/FAST FORWARD (▶▶):** In CD, CD-MP3 or USB mode, press (▶▶) once to skip to the next track. Press and hold to fast forward. In radio mode, short press to tune a station, Long press to auto search the station. In radio preset mode, press to select a location where you want to preset..
- 6. PLAY MODE/PROGRAM:** In CD, CD-MP3 or USB mode, press to select a repeat mode. In CD, CD-MP3 or USB stop mode, press to program tracks. In radio mode, long press to manually save the station. Short press to view and select station.
- 7. PLAY/PAUSE/PAIR:** In CD/CD-MP3/USB/Bluetooth mode, press to start playback and pause. In Bluetooth mode, long press to disconnect the Bluetooth connection.
- 8. VOLUME +/- or ON/OFF:** Turn to adjust volume. Press to turn on/off the unit. (Volume ranges from 0 to 32.)
- 9. STOP ■:** Press to stop playback.
- 10. TUNING/SCAN/PAIR:** In AM/FM mode, turn to tune in a station/Long press to auto search the station. In Bluetooth transmitter state, press about 2 seconds to disconnecting Bluetooth or start pairing.

## Rear View

### 1. FM wire antenna

While tuned to a station in FM mode, extend the wire and reposition to adjust for best reception.

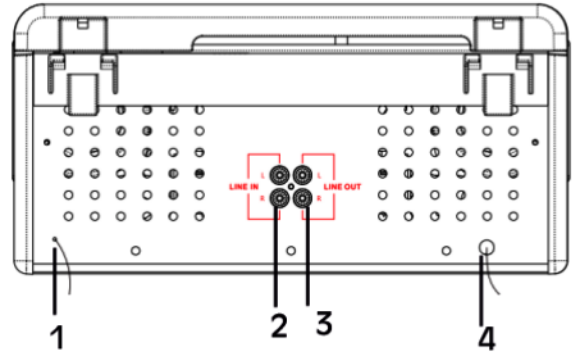
### 2. LINE- IN (Aux In) jack

For audio source with RCA jacks, use plug on end of the RCA cable into these jacks and the other into the audio sources.

### 3. Line out jack.

### 4. AC power cord

Plugs into a wall outlet.



## Parts of the Turntable

### 1. Turntable

### 2. Spindle

### 3. Adapter for 45 RPM records

### 4. Cue-lever

### 5. Speed control switch

### 6. Tone arm

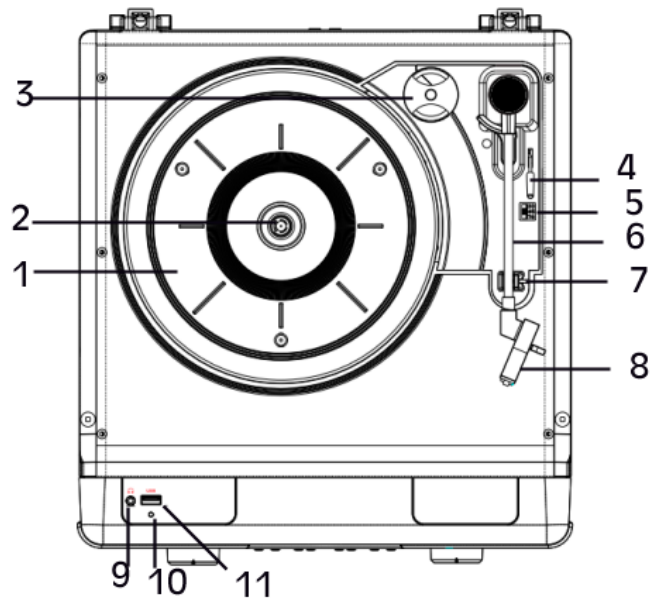
### 7. Tone arm rest

### 8. Stylus

### 9. Headphone jack

### 10. USB recording indicator

### 11. USB jack



# REMOTE CONTROL

When using the remote control, point it towards the remote sensor on the front panel of the unit.

## Notes:

- Even if the remote control is operated within the effective range, remote control operation may be impossible if there are any obstacles between the unit and the remote control.
- If the remote control unit is operated near other devices which generate infrared rays, it may not function properly. Conversely, the other devices may not function incorrectly.

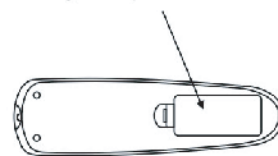
## Battery Installation

1. Remove the battery compartment cover.
2. Insert 2x "AAA" batteries. (batteries not included) Note: Make sure that they are oriented so their polarity markings, "+" and "-" match the remote's markings.
3. Replace the battery compartment cover.

## Battery Replacement

When the distance required between the remote control unit and main unit decreases, it is necessary to replace the battery with new ones.

battery compartment cover

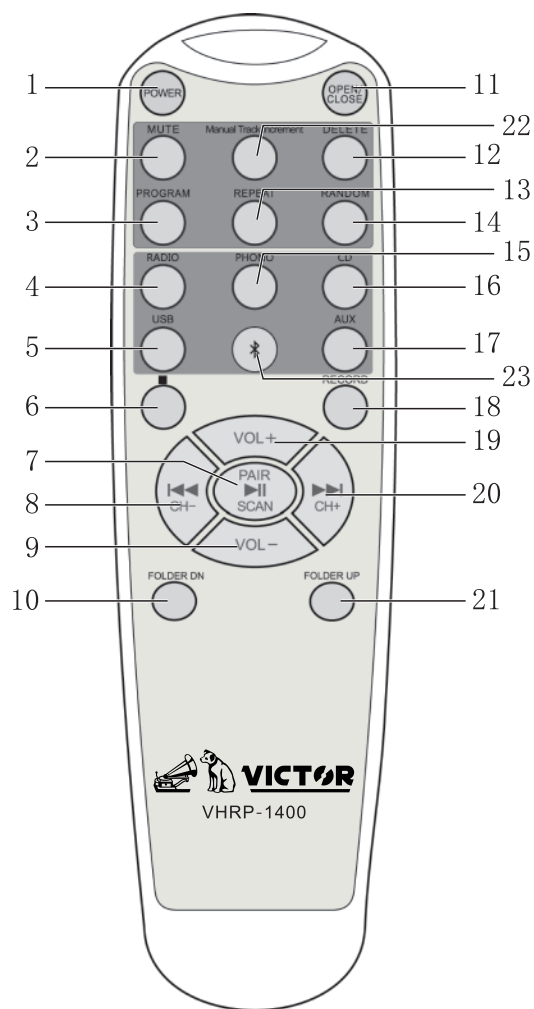


## Battery Precautions

Be sure to insert the batteries with correct positive “+” and negative “-” orientation. ALWAYS use batteries of the same type. Never mix different types of batteries together. When using rechargeable batteries, refer to the precautions on their labels. When the remote control unit is not to be used for a long time (more than a month), remove the batteries to prevent them from leaking. Do not heat or disassemble batteries, and NEVER dispose of old batteries by throwing them in a fire.

## Remote Control Button Functions

1. **POWER:** Press to turn on the unit.
2. **MUTE**
3. **PROGRAM:** In CD/CD-MP3/USB mode, press to program tracks. In radio mode, press to preset a station.
4. **RADIO:** Press to listen to the radio. Press again to switch between AM and FM modes
5. **USB:** Press to switch to USB mode.
6. **STOP:** Press to stop playback.
7. **PLAY/PAUSE/PAIR/SCAN:** Press to play/pause track. In radio mode, long press to auto save the station. In Bluetooth mode, long press to disconnecting pairing.
8. **CH- / PREVIOUS TRACK / REWIND:** In CD/CD-MP3 mode, press once to restart the current track, press twice in succession to return to the beginning of the previous track. In USB and Bluetooth mode, press to skip previous track. In radio preset state, press to select a location where you want to preset.
9. **VOL-:** Press to adjust the volume down.
10. **FOLDER DOWN:** In CD-MP3/USB mode, press to choose folder. In radio mode, press to view or selector saved station.
11. **OPEN/CLOSE:** Press to open/close the disc tray.
12. **DELETE:** Use this button to delete the USB tracks.
13. **REPEAT:** In CD/CD-MP3/USB mode, press to select repeat mode.



14. **RANDOM:** In CD, CD-MP3, USB mode, press to enter the random play
15. **PHONO:** Press to play a vinyl record.
16. **CD:** Press to play a CD/CD-MP3 mode.
17. **AUX:** Press to listen to an external source connected to the LINE IN jack.
18. **REC:** In CD, CD-MP3/PHONO/AUX, Bluetooth play mode, short press to enter record mode. Press again to end of the recording.
19. **VOL+:** Press to adjust the volume.
20. **CH+ / NEXT TRACK / FAST FORWARD:** In CD, CD-MP3, USB mode press to skip to the next track. Press and hold to fast forward. In Bluetooth mode, press to skip to the next track. In radio preset state, press to select a location where you want to preset
21. **FOLDER UP:** In CD-MP3/USB mode, press to choose folder. In radio mode, press to view or selector saved station.
22. **MANUAL TRACK INCREMENT:** In Bluetooth, AUX, PHONO recording mode, press to divide the music.
23. Press to enter Bluetooth® mode.

## SETUP & BASIC OPERATION

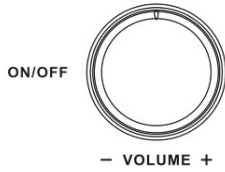
### SETUP

1. Connect the power plug into the wall outlet. *Note:* To prevent interference, avoid bundling audio signal cables together with the AC power cord.
2. Extend Antenna: For optimal FM reception, be sure to stretch the FM antenna wire located at the lower back of the unit and move it around until the station you have tuned in is being received clearly.



## BASIC OPERATION

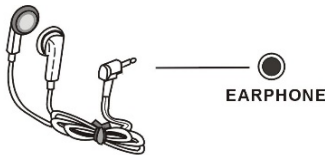
1. Press the ON/OFF button to turn the unit on. Press the ON/OFF button again to turn the unit off.



2. Select the source.



3. Rotate the VOLUME knob to adjust to the desired sound level.
4. Listening through Earphones / Headphones (not included). The sound from all speakers is cut off.



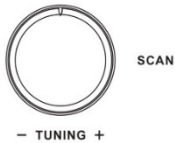
The sound from all speakers is cut off.

# LISTENING TO THE RADIO

1. Press the FUNCTION button to select the AM/FM tuning function. The display will show "AM" or "FM".



2. Tune to the desired frequency.



3. Or press the **◀◀** and **▶▶** button to select a frequency, and you can press and hold this button to auto search the station.
4. **Save a station:**

You can save your favorite stations. It can save 9 stations in FM, 9 stations in AM.

### Auto save a station:

1. Long press SCAN button or long press the scan button on the remote control to auto search and save the stations.

2. Press “Program” button on unit or press “Folder UP” or “Folder DN” button on remote control to view or listen the saved station.

**Manually save a station:**

1. Select a radio station that you want to save.
2. Long press “PROG” button, the “P-” will flash on the screen.
3. Press the |◀◀ or ▶▶| button to select a position. Note: If you save a new station at the location where one was already saved, the previous station will be overwritten.
4. Press “Program” button to confirm.
5. After the preset is complete, press the “Program” button on unit or press “Folder UP” or “Folder DN” button on remote control to view or listen the saved station.

## LISTENING TO AUX DEVICE

An external (auxiliary) audio source (i.e., personal CD player or MP3 player) can be connected to this unit and heard through the speakers.

**LINE IN (AUX IN):**

1. Connect an external device using the LINE IN socket on the back of the unit.
  - a. Plug the RCA red and white jack (included) into the LINE IN socket with the same color on the back of the unit.
  - b. Plug the other end of the cable into the headphone or Line Out socket of the external source.
2. Press the FUNCTION button to select the AUX function, and the display will show “AUX”.

**LINE OUT:**

1. Connect to external speakers or entertainment system (Optional) using the LINE OUT jacks on the back of the unit:
  - a. Connect the red RCA cable to the red jack and the white RCA Cable to the white jack on the back of the unit.
  - b. Plug the other ends of the RCA Cable into the auxiliary input (AUX) on your home entertainment receiver or other music system, again being sure that the correct color-coded jacks are used.
  - c. Do not turn up the volume on your Unit. Instead adjust the volume on your TV or home entertainment receiver.

## LISTENING TO BLUETOOTH® DEVICE

External devices which have a built-in Bluetooth® feature can be connected to this apparatus and play through the speakers.

## GETTING CONNECTED

1. Press the Function button to select the Bluetooth mode.
2. Set the Bluetooth function of your external device ON.
3. Set to search Bluetooth device on your external device. Note: The effective distance between your external device and this apparatus is up to 33 feet (10 meters).
4. Wait for a while then find the "VICTOR VHRP-1400" on the paired devices list on your external device.
5. If a window asks you a password. Fill in "0000" or "1234" then press "OK" on your external device.
6. A few seconds later your Bluetooth connection should be achieved.

## BLUETOOTH® OUT

1. In CD, AUX IN, PHONO mode, you can use Bluetooth transmitting function to play music from the device on an external Bluetooth speaker.
2. In CD, AUX IN, PHONO mode, Bluetooth will emit automatically. If you want to use an external Bluetooth speaker to connect to the unit, just set the Bluetooth speaker to pairing mode.
3. Press TUNING/SCAN button about 2 seconds to disconnecting paired Bluetooth speaker or start pairing.
4. After Bluetooth connection, the unit will be silent. You can adjust the volume of the external Bluetooth speaker through the VOLUME knob on unit or VOL+ /VOL - buttons on remote control.
5. When you switch to other function mode (Bluetooth, USB, Radio) Bluetooth will disconnecting.

*Note:* Make sure that Bluetooth is off on any devices in the vicinity that will automatically connect to your speaker. And the effective distance between your external device and this apparatus is up to 33 feet (10 meters).

# LISTENING TO A RECORD

1. Press the FUNCTION button to select the PHONO function, and the display will show "PHONO".



2. Select player speed (33 1/3, 45, OR 78 RPM).
3. Put a record onto the turntable (use the 45 RPM adaptor provided when playing a single record).
4. Use cue-lever to raise the tone arm.
5. Move the tone arm over the record.
6. Use the cue-lever to lower the tone arm so that the stylus contact the record. The record start to play.
7. When the record has finished playing, the TONE ARM will stop at the center of the record and must be returned to the arm rest manually.

*Note:* After you play 45 & 78 RPM vinyl record, it will stop in about 60 seconds.

# LISTENING TO A CD/CD-MP3

1. Press the FUNCTION button to select CD function, and display will show "CD".



2. Open the CD door by pressing OPEN/CLOSE button, and then put the CD disc on the tray.



3. Close the tray and the "CD READ" will flash for few seconds on the display. The CD disc will start playing from the first track automatically.
4. Press the FF (▶▶) button once to go the start of the next track.



5. Press the FR (◀◀) button once to go back to the restart of the current track. Press the FR button twice to go back to the start of the previous track.



6. Press and hold the FF (▶▶) button or FR (◀◀) button reverse or forward to any point in a selected track. *Note:* Do not push both buttons together as this may damage the unit. As the unit is tracking quickly, forward or backward you will hear your selection playing at a distorted speed. Simply release the depressed button to continue playing at normal speed at the desired position in the selected track.

7. Play mode

Each time the REPEAT button is pressed, the repeat mode will cycle through the following options:

**A. REPEAT 1:** The current track will be played repeatedly. If you press the (◀◀ or ▶▶) button to select another track, the track you select will be played repeatedly.

**B. REPEAT:** In CD-MP3 mode, you can select the folder to play repeatedly.

**C. REPEAT ALL:** The entire CD/CD-MP3 will be played repeatedly.

**D. RONDOM:** Press PLAY MODE/PROGRAM button for the four times to random play, and the "RANDOM" will show on the display

**Clear play mode:**

Press PLAY MODE/PROGRAM button repeatedly until "repeat" or "random" disappear on the screen.

8. In stop state, press the PLAY MODE/PROGRAM button, the LCD display will show PROG, then press the F.F or F.R button to select the tracks, press the PLAY MODE/PROGRAM button to repeat this step to program, and it can be up to 20 songs in CD mode, 99 songs in CD-mp3 mode. When play programmed tracks, press STOP button twice, you can delete program function.

9. Pausing the CD play.



10. Pressing the PLAY/PAUSE button will restart the CD where it was paused. Do not switch the unit off while playing a CD as this will damage the unit.
11. Pressing the STOP to stop the CD play.



*Note:* Press the Folder DN or Folder UP button on remote control can select folder in CD-mp3 disc.

## COMPACT DISC FORMAT

This unit has been designed specifically for sound reproduction from compact discs bearing the mark. No other discs can be used.

1. Always place the CD in the tray with the label facing upward. (Compact discs can be played only on one side.)
2. Fingermarks and dust should be carefully wiped off the disc recorded surface with a soft cloth (not included).
3. Never use chemicals such as: record sprays, anti-static sprays or fluid, benzene or thinner to clean compact discs. Such chemicals will do irreparable damage to the disc's plastic surface.
4. CD should be returned to their cases after use to avoid serious scratches that could cause the laser pick up to skip.
5. Do not expose discs to direct sunlight or high humidity and temperature for extended periods. Long exposure to high temperature can warp the disc.
6. Do not stick paper or write anything with a ballpoint pen on the surface of the label side.
7. Do not use irregular shaped CD's (octagonal, heart-shape, etc.), all of which can damage the unit.
8. To remove a disc from its storage case, press down on the center of the case and lift the disc out, holding it carefully by the edge.

# PLAYING MUSIC FROM USB DEVICE

The system can decode and playback MP3 files which stored in the USB flash disk via the USB port.

*Note:* When connecting the system to MP3 player via the USB socket, there are variances in MP3 encoding format, therefore some MP3 files cannot be played (or copied) via the USB socket. This is not a malfunction of the system. Furthermore, the system does not support iPod devices.

1. Press the FUNCTION button to select the USB Function, and the display will show "USB READ".



2. Insert an external audio source (ie. MP3 player) into the USB jack, and the unit will ready and play the music automatically.
3. Press PLAY (▶||) button to play the external audio source.



4. Press the FF (▶▶) or FR (◀◀) button once to go the start of the next track or previous track.



5. Play mode
  - a. Each time the REPEAT button is pressed, the repeat mode will cycle through the following options:
  - b. **A. REPEAT 1:** The current track will be played repeatedly. If you press the (◀◀ or ▶▶) button to select another track, the track you select will be played repeatedly.
  - c. **B. REPEAT:** you can select the folder to play repeatedly.
  - d. **C. REPEAT ALL:** The entire USB will be played repeatedly.
  - e. **D. RONDOM:** Press PLAY MODE/PROGRAM button for the four times to random play, and the "RANDOM" will show on the display
  - f. Press PLAY MODE/PROGRAM button repeatedly until repeat or random disappear on the screen.
  - g. **Clear play mode:**
  - h. Press PLAY MODE/PROGRAM button repeatedly until "repeat "or "random" disappear on the screen.
6. In stop state, press the PLAY MODE/PROGRAM button, the LCD display will show PROG, press the F.F or F.R button to select the folder number, press the PLAY MODE/PROGRAM button to confirm, and press the F.F or F.R button to select the tracks, then press the PLAY MODE/PROGRAM button to repeat this step to program, and it can be up to 99 songs.



7. When play programmed tracks, press STOP button twice, you can delete program function.
8. Pausing the playing.



9. Stopping the playing.



## DELETE A TRACK

When USB playback, press the OPEN/CLOSE/DELETE button briefly can delete current track.

## REMOVING USB DRIVE

To remove the USB device, turn off the power or switch the function mode to either CD, Radio or Aux first, don't pull out the USB device during playing the files of USB device.

# CD ENCODING

The system is able to encode a normal CD to MP3 format and recording onto a USB flash drive via the USB port.

1. In CD/CD-MP3 play mode, insert an USB device into USB jack.
2. Press REC button, then " REC " will appear on the display. The red USB recording indicator flashing.
3. Press REC button again to end the recording.

NOTE: CD recording will automatically split music.

# PHONO/AUX/BLUETOOTH ENCODING

The system can encode Bluetooth, AUX input, or Turntable (Phono) to MP3 format and recording onto a USB flash drive via the USB port.

1. Set the function to PHONO, Bluetooth, or AUX mode, insert an USB device into USB jack.
2. Play audio from the turntable, connected Bluetooth device or the AUX input device you want to record, press the REC button begin the encoding, The red USB recording indicator flashing.
3. During encoding, press "Manual track increment" on remote control to divide the music.
4. Press REC button again to end the recording.

NOTE: If no audio input, recording will pause.

# MAINTENANCE

## REPLACING THE STYLUS ON THE RECORD PLAYER

### Remove Old Stylus

1. Set a screwdriver at the tip of the stylus and push down to the direction "A".
2. Remove the stylus by pulling it down and forward.

### Install New Stylus

1. Hold the tip of the stylus and insert the other edge by pressing in the direction "B".
2. Push up in the direction "C" until it locks at the tip.



Guide Pins (inside)

# TROUBLESHOOTING

In case of trouble with the unit, please look through and see if you can solve the problem by yourself before calling your dealer.

### Beware of Condensation

When the player (or a compact disc) experiences a sudden temperature change, there is a danger of condensation. Water vapor could condense on the mechanism or the laser pickup. If droplets of water form on these parts, correct playback will be impossible because the laser cannot read the information from the disc correctly. If you are going to use the player in a condition where condensation could occur, you should leave the player for 1 or 2 hours after plugging it into an AC outlet depending on the amount of condensation. If this is done, the player will stabilize at the temperature of its surroundings.

Unit	Problem	Solution
Whole Unit	Power does not come on.	Connect the unit to the AC power supply and switch it on.
	No sound comes out of the speakers.	Adjust the volume or re-select the desired input source.
	The sound is noisy.	Turn off interfering TV set or other appliance or relocate the unit.
	The appliance fails to respond.	External factors such as ESD (Electro-static Discharge) affect the unit. Disconnect the power cord and all power supply devices and re-plug the unit after one minute.
Tuner Unit	Cannot listen to any station or signal appears weak.	Properly tune in the desired station. Or turn off the interfering TV set.
	The sound is distorted.	Re-orient the antenna until the reception improves.
CD Player	CD stops immediately after starting, or unit pauses or stops during play.	Insert the CD with the printed side right-side up. Or carefully clean and dry the dirty CD.
	No sound.	Press the PLAY/PAUSE button to play or adjust the volume.
	Specific CD is noisy, or playback stops or skips.	The CD might be scratched, damaged or warped and need to be changed. Or carefully clean the dirty CD.



# FCC NOTICE

This device complies with Part 15 of the FCC Rules. Operation is subject to the following two conditions: (1) This device may not cause harmful interference, and (2) this device must accept any interference received, including interference that may cause undesired operation.

NOTE: This equipment has been tested and found to comply with the limits for a Class B digital device, pursuant to Part 15 of the FCC Rules. These limits are designed to provide reasonable protection against harmful interference in a residential installation. This equipment generates uses and can radiate radio frequency energy and, if not installed and used in accordance with the instructions, may cause harmful interference to radio communications. However, there is no guarantee that interference will not occur in a particular installation. If this equipment does cause harmful interference to radio or television reception, which can be determined by turning the equipment off and on, the user is encouraged to try to correct the interference by one of the following measures:

- Reorient or relocate the receiving antenna.
- Increase the separation between the equipment and receiver.
- Connect the equipment into an outlet on a circuit different from that to which the receiver is connected.
- Consult the dealer or an experienced radio/TV technician for help.

WARNING: Any changes or modifications not expressly approved by the party responsible for compliance could void the user's authority to operate this equipment.

The device must not be co-located or operating in conjunction with any other antenna or transmitter.

To maintain compliance with the FCC's RF exposure guidelines, place the product at least 20cm from nearby persons.

# IC STATEMENT

This device complies with RSS247 of Industry Canada. Cet appareil se conforme à RSS247 de Canada d'Industrie. This device complies with Industry Canada license-exempt RSS standard(s). Operation is subject to the following two conditions: (1) this device may not cause interference, and (2) this device must accept any interference, including interference that may cause undesired operation of the device. appareils radio exempts de licence. Son fonctionnement est sujet aux deux conditions suivantes: (1) le dispositif ne doit pas produire de brouillage préjudiciable, et (2) ce dispositif doit accepter tout brouillage reçu, y compris un brouillage susceptible de provoquer un fonctionnement indésirable.

The device must not be co-located or operating in conjunction with any other antenna or transmitter. L'appareil ne doit pas être localisé ou fonctionner avec d'autres antennes ou transmetteurs.

This device complies with IC radiation exposure limits set forth for an uncontrolled environment.

Cet appareil est conforme aux limites d'exposition aux rayonnements de la IC établies pour un incontrôlé environnement.

The device should be installed and operated with a minimum distance of 20cm between the radiator and your body.

L'appareil doit être installé et utilisé avec une distance minimale de 20 cm entre le radiateur et votre corps.

# CAUTION ON MODIFICATIONS

Any changes or modifications not expressly approved by the grantee of this device may void the authority granted by the FCC to operate this equipment. Electric and electronic equipment contains materials, components and substances that can be hazardous to your health and the environment, if the waste material (discarded electric and electronic equipment) is not handled correctly. Electric and electronic equipment is marked with the crossed-out trash can symbol, seen the right side. This symbol signifies that electric and electronic equipment should not be disposed of with other household waste but should be disposed of separately. All cities have established collection points, where electric and electronic equipment can either be submitted free of charge at recycling stations and other collection sites or be collected from the households. Additional information is available at the technical department of your city.



# SUPPORT

We do our best to offer high quality products to our customers. If you experience any issues or problems with your product, please contact customer support as many issues can be quickly resolved.

If you have problems with your device, please consult the instructions in this manual. Please also visit us on the web at [www.naxa.com](http://www.naxa.com) to get up to the minute news, alerts, and documentation for your device. For additional assistance, please contact Naxa Technical Support.

## **Naxa Technical Support**

2320 East 49<sup>th</sup> St.  
Vernon, CA 90058  
(866) 411-6292

<http://www.naxa.com/supportcenter>

*\*This product has been manufactured and sold under the responsibility of NAXA ELECTRONICS INC.*

*VICTOR and the DOG & GRAMOPHONE logo are trademarks used under license by NAXA ELECTRONICS INC.*

*Further information at [www.victor-brand.com](http://www.victor-brand.com).*

*All other products, services, companies, trademarks, trade or product names and logos referenced herein are the property of their respective owners*



DINER  
VHRP-1400  
TOCADISCOS CENTRO DE MUSICA 7-EN-1



## Manual de Operación

FAVOR DE LEER EL MANUAL COMPLETAMENTE ANTES DE OPERAR ESTE PRODUCTO.  
CONSERVAR EL MANUAL PARA FUTURAS REFERENCIAS

# ADVERTENCIA

	<p style="text-align: center;"><b>PRECAUCIÓN</b> <b>RIESGO DE CHOQUE ELÉCTRICO,</b> <b>NO ABRIR</b></p>	
<p>El símbolo del relámpago con punta de flecha dentro de un triángulo equilátero, es diseñado para advertir al usuario de VOLTAJES PELIGROSOS no aislados dentro del aparato que pueden ser de suficiente magnitud para constituir un riesgo de choque eléctrico para las personas.</p>	<p><b>PRECAUCIÓN:</b> PARA REDUCIR EL RIESGO DE CHOQUE ELÉCTRICO NO REMOVER LA CUBIERTA (O TAPA), DENTRO DE ESTE APARATO NO HAY PARTES QUE EL USUARIO PUEDA DARLE SERVICIO, EN SU CASO ACUDIR A UN CENTRO DE SERVICIO AUTORIZADO O CON PERSONAL CALIFICADO</p>	<p>El símbolo de exclamación dentro de un triángulo equilátero, es diseñado para alertar al usuario de la presencia de instrucciones importantes de operación, mantenimiento y servicio que acompañan al producto.</p>

**PRECAUCION:** Para reducir el riesgo de fuego o choque eléctrico, no exponer este producto al goteo o salpicadura de agua, a la lluvia o humedad. No colocar objetos con líquidos, como vasos con agua cerca o encima del producto



**ADVERTENCIA:** Radiación laser invisible al abrir y liberar los seguros. Evitar la exposición directa al rayo láser



Este equipo es un aparato eléctrico Clase II o doble aislamiento. Ha sido diseñado de tal forma que no requiere una conexión de seguridad a tierra eléctrica.

## Importantes Instrucciones de Seguridad

1. Leer las instrucciones. Deben leerse todas las instrucciones de operación y de seguridad antes de operar este producto.
2. Conservar las instrucciones. Deben conservarse las instrucciones de operación y seguridad para futuras referencias.
3. Poner atención a las advertencias. Las advertencias en el producto y las instrucciones de operación y seguridad deben de respetarse.
4. Seguir las instrucciones. Deben seguirse todas las instrucciones de uso y operación.
5. Agua y humedad. No usar este producto cerca del agua, por ejemplo, cerca de una bañera, lavabo, fregadero de cocina o de lavar, sótanos húmedos o cerca de una piscina.
6. Limpie solo con un paño seco.
7. Limpieza. Desconectar el cordón de alimentación del tomacorriente antes de darle mantenimiento o limpieza al producto. Limpiar con una tela, suave, limpia y seca, No usar limpiadores líquidos o en aerosol.
8. Ventilación. Las ranuras y aberturas en la parte posterior y posterior del gabinete son provistas para la ventilación y asegurar la buena operación del producto y protegerlo del sobrecalentamiento. No deben bloquearse o taparse estas aberturas, colocando el producto sobre una cama, sofá alfombra u otra superficie similar. El producto no debe colocarse cerca o sobre un radiador o fuentes de calor. Este producto no debe colocarse en un librero o estante que impida el flujo del aire a través de las ranuras de ventilación.
9. Calor. El producto debe colocarse lejos de fuentes de calor como radiadores, registros de calor, estufas u otros productos que producen calor (incluso amplificadores).
10. Protección del cordón de alimentación. El cordón de alimentación debe colocarse de forma tal que no exista probabilidad de pisarlo o apretarlo sobre los lugares donde será colocado o contra el producto mismo. Poner atención particular en el cordón, la clavija, el tomacorriente y en los puntos en donde estos salen del producto.
11. Accesorios. Usar solo accesorios/refacciones recomendadas por el fabricante.
12. Usar armarios, estantes o bases recomendados por el fabricante o vendidos con el producto. Cuando el producto se coloca sobre un carrito, tener cuidado al desplazarlos para evitar lesiones por caídas o tropiezos
13. Tormentas eléctricas o periodos sin uso. Desconectar este producto del tomacorriente durante tormentas eléctricas o cuando no va ser usado por un periodo largo de tiempo para protegerlo.
14. Referir todo el servicio al centro de servicio autorizado. El servicio es necesario cuando el producto se ha dañado de alguna manera, como cuando el cordón de alimentación o clavija están dañados, se ha derramado líquido o han caído objetos dentro del producto, ha estado expuesto a la lluvia o la humedad, no funciona normalmente, ha sido dañado o ha caído.
15. Si la clavija se utiliza como dispositivo de desconexión, el dispositivo de desconexión debe permanecer fácilmente operable.
16. Este producto está diseñado para operar en un clima moderado.
17. Para prevenir riesgo de fuego, no colocar el producto bajo los rayos directos del sol, cerca de fuentes de flama (velas, veladoras) u otras fuentes de calor.
18. El símbolo “~” significa que el voltaje es de corriente alterna (tomacorriente domestico).
19. PRECAUCION: Estas instrucciones de servicio son para uso exclusivo del personal de servicio calificado. Para reducir el riesgo de fuego o choque eléctrico, no realizar ningún servicio que no sea el contenido en las instrucciones de funcionamiento.
20. PRECAUCION: Para productos con cordón de alimentación, el tomacorriente debe estar cerca y ser fácilmente accesible.

El símbolo del relámpago con punta de flecha dentro de un triángulo equilátero, es diseñado para advertir al usuario de VOLTAJES PELIGROSOS no aislados dentro del aparato que pueden ser de suficiente magnitud para constituir un riesgo de choque eléctrico para las personas. El símbolo de exclamación dentro de un triángulo equilátero, es diseñado para alertar al usuario de la presencia de instrucciones importantes de operación, mantenimiento y servicio que acompañan al producto.



# INDICE

CARACTERISTICAS.....	4
ESPECIFICACIONES .....	4
DESCRIPCION DE PARTES.....	5
CONTROL REMOTO .....	6
OPERACION BASICA Y AJUSTES .....	9
OPERACION DEL RADIO .....	10
ENTRADA AUXILIAR.....	11
SINCRONIA BLUETOOTH®.....	10
OPERACION DEL TOCADISCOS.....	12
OPERACION DEL DISCO COMPACTO CD/CD-MP3.....	11
OPERACION DE UNA MEMORIA USB.....	14
GRABACION DE UN DISCO COMPACTO .....	16
GRABACION DE TOCADISCOS, ENTRADA AUXILIAR, BLUETOOTH®.....	16
MANTENIMIENTO .....	17
GUIA PARA SOLUCION DE PROBLEMAS .....	17
NOTICIA FCC .....	18
PRECAUCION SOBRE MODIFICACIONES .....	19
SOPORTE.....	19

# CARACTERISTICAS

El Tocabiscos Centro de Música 7-en-1 DINER 7-in-1 está repleto de características modernas dentro de un gran diseño de los años 50. ¡El tocadiscos integrado de 3 velocidades, el reproductor de Disco Compacto y Radio AM/FM están listos para reproducir todas sus canciones favoritas! La función Bluetooth® dual permite la transmisión de sus discos de vinilo a una bocina Bluetooth® externa o reproduce música desde su dispositivo inteligente a través de las bocinas integradas. ¡La Entrada Auxiliar permite aún más opciones de reproducción adicionales!

- El tocadiscos de 3 velocidades reproducirá discos de 33 1/3, 45, 78 rpm
- La conectividad de Entrada Bluetooth® permite transmitir música desde otra fuente a una distancia de hasta 10 metros.
- La conectividad de Salida Bluetooth® le permite reproducir de forma inalámbrica los discos de vinil a través de una bocina Bluetooth® externa
- Reproductor de Disco Compacto CD/MP3, Radio AM/FM
- Puerto USB para reproducción y grabación de un solo toque de la música favorita
- Incluye entrada auxiliar de Ø 3.5 mm y salida de audífonos para opciones de conectividad adicionales.
- Bocinas estéreo integradas para mayor comodidad de reproducción.

# ESPECIFICACIONES

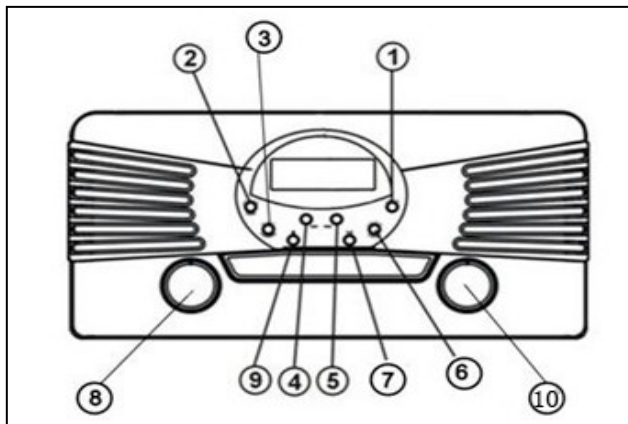
Nombre del Producto	DINER (Tocabiscos Centro de Música 7-en-1)
Velocidad de reproducción Tocabiscos	33 1/3, 45, 78 rpm
Rango de Frecuencia FM	87.5 – 108 MHz
Estaciones en memoria FM	Hasta 9 estaciones
Rango de Frecuencia AM	520 – 1 710 kHz
Estaciones en memoria AM	Hasta 9 estaciones
Versión Bluetooth®	V5.0
Rango de Frecuencia Bluetooth®	2.402 – 2.480 GHz
Distancia de Transmisión Bluetooth®	10 metros*
Entradas	Línea de Entrada/Entrada Auxiliar, Puertos USB
Salida	Línea de Salida, Salida para audífonos
Bocinas incorporadas	2 x 7.62 cm
Potencia de salida	2 x 2 W
Potencia de entrada	25 W
Fuente de alimentación	120 V~ 60Hz
Accesorios	Control remoto, Adaptador de 45 rpm, Cable de Línea/RCA, Manual de operación, Guía rápida de ajustes

- *La distancia puede variar dependiendo de cualquier objeto o interferencia entre los dispositivos.*

Las especificaciones y el diseño de este producto están sujetos a cambios para mejoras de los mismos, sin previo aviso.

# DESCRIPCION DE PARTES

Panel frontal



- 1) **FUNCTION:** Presionar para seleccionar la fuente de entrada de (CD, AM/FM, BT, PHONO, USB, AUX)
- 2) **OPEN/CLOSE/DELETE:** En modo de CD, presionar para expulsar o ingresar la bandeja del disco. En modo de USB, presionar para borrar una pista de la memoria USB.
- 3) **REC:** En modo de CD, Tocabiscos, Bluetooth® o Entrada Auxiliar, presionar para entrar al modo de grabación, presionar nuevamente para detener la grabación.
- 4) **⏮:** En modo de CD, presionar una vez para volver al inicio de la pista, presionar dos veces para saltar a la pista anterior. En modo de USB, presionar una vez para saltar a la pista anterior; presionar y sostener para regresar rápidamente en la pista. En modo de Radio, presionar para sintonizar una estación; presionar y sostener para la búsqueda automática de una estación. En el modo de almacenar las estaciones, presionar para seleccionar el número de memoria.
- 5) **⏭:** En modo de CD o USB, presionar una vez para saltar a la pista siguiente; presionar y sostener para avanzar rápidamente en la pista. En modo de Radio, presionar para sintonizar una estación; presionar y sostener para la búsqueda automática de una estación. En el modo de almacenar las estaciones, presionar para seleccionar el número de memoria.
- 6) **PLAY MODE/PROGRAM:** En modo de CD o USB, presionar para seleccionar un modo de repetición de la reproducción. En el modo detenido de CD o SUB, presionar para programar la reproducción de las pistas. En modo de Radio, presionar y sostener para almacenar una estación; presionar para ver y seleccionar una estación.
- 7) **▶ II :** En modo de CD, USB, Bluetooth®, presionar para Iniciar, Pausar o Reanudar la reproducción. En modo Bluetooth®, presionar para desactivar la sincronía con un dispositivo Bluetooth® externo.
- 8) **VOLUME / ON/OFF:** Presionar para Encender o Apagar la unidad. Girar para ajustar el nivel del volumen. (Nota: El nivel del volumen es de 00 a 32.)
- 9) **■:** Presionar para detener la reproducción.
- 10) **TUNING / SCAN:** En modo de Radio AM/FM presionar y sostener para la búsqueda y almacenamiento automático de las estaciones en memoria. En modo de Bluetooth®, presionar por dos segundos aproximadamente para iniciar o desactivar la sincronía Bluetooth®

## PANEL POSTERIOR

### 1. Antena alámbrica de FM

Al sintonizar una estación de Radio FM, desenrollar y extender la antena completamente, direccionarla para lograr una mejor sintonía de las estaciones

### 2. LINE- IN (Aux In)

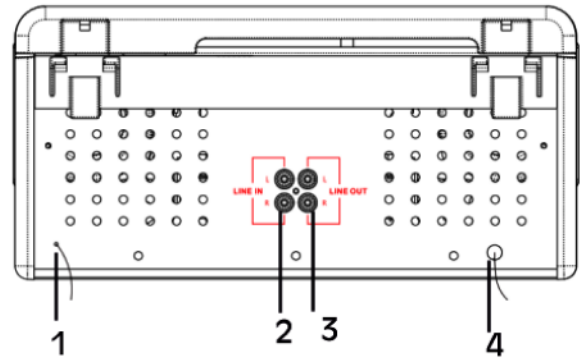
Entrada de línea para fuentes de audio externa con conectores de salida RCA.

### 3. LINE OUT

Salida de línea para dispositivos amplificadores con conectores de entrada RCA.

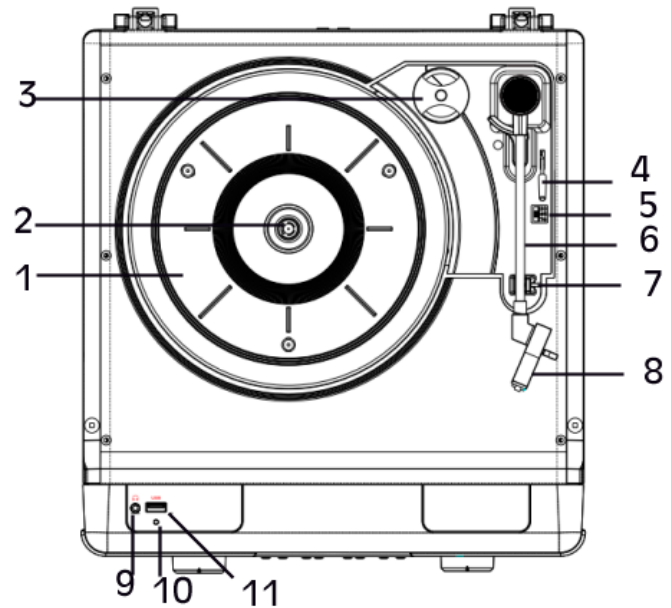
### 4. Cordón de alimentación

Insertar la clavija del cordón de alimentación al tomacorriente



## TOCADISCOS

1. Base giratoria
2. Poste
3. Adaptador de 45 rpm
4. Palanca brazo fonocaptor
5. Control de velocidad
6. Brazo fonocaptor
7. Soporte
8. Cabeza fonocaptora
9. Conector para audífonos
10. Indicador de grabación USB
11. Puerto USB





# CONTROL REMOTO

Al usar el control remoto, apuntar directamente al sensor infrarrojo en el panel frontal de la unidad

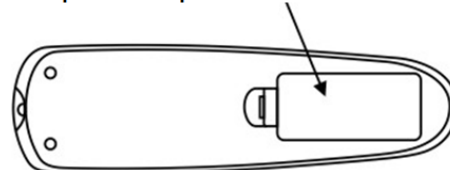
## Notas:

- Aun cuando el control remoto sea operado dentro del rango efectivo, la operación puede ser imposible si se presentan obstáculos entre la unidad y el control remoto.
- Si el control remoto es operado cerca de otros dispositivos que generan rayos infrarrojos, el control puede no funcionar adecuadamente.

## Instalación de las baterías:

1. Remover la tapa del compartimiento de las baterías.
2. Insertar 2 baterías de 1.5 Vcc "AAA" (no incluidas), verificando la correcta polaridad "+" y "-" como se observa en el interior del compartimiento.
3. Colocar la tapa nuevamente.

Tapa del compartimiento de la baterías



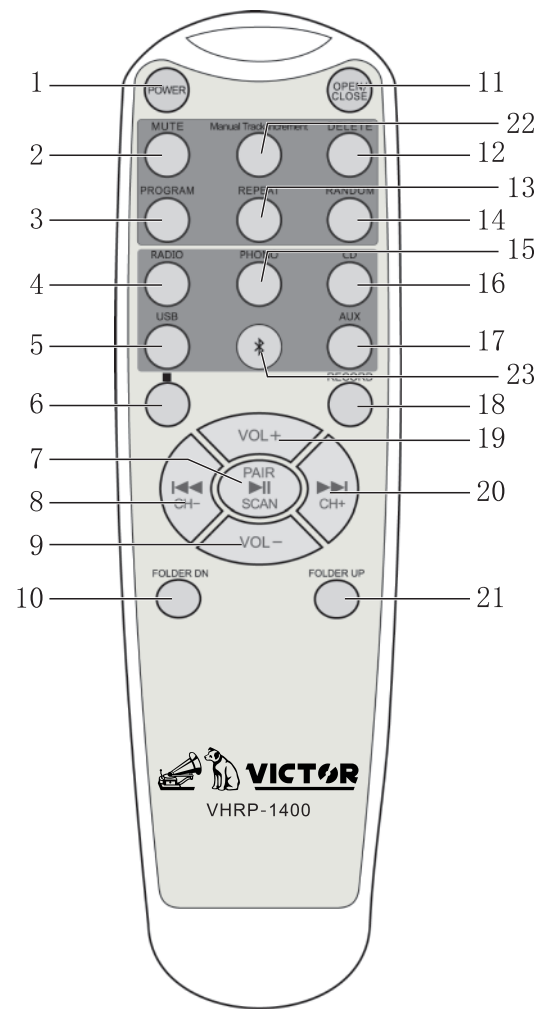
## Reemplazar las baterías


Cuando la distancia de operación entre la unidad y el control remoto disminuye, es necesario reemplazar las baterías por unas nuevas.

## Precaución sobre las baterías

- Asegurarse de insertar las baterías con la polaridad correcta "+" y "-".
- Referirse a las etiquetas de precauciones de las baterías.
- Cuando el control remoto no va ser usado por un periodo largo de tiempo (más de un mes), remover las baterías para prevenir derrames. Si hay derrame, limpiar cuidadosamente el líquido en el interior del compartimiento y reemplazar las baterías por unas nuevas.
- No calentar o desarmar las baterías, nunca lanzar las baterías al fuego. Estas pueden explotar o derramar líquido.
- No mezclar baterías nuevas con usadas o baterías de diferente tipo.
- No recargar baterías no recargables.

1. **POWER:** Presionar para Encender o Apagar la unidad.
2. **MUTE:** Presionar para desactivar la salida de audio (silencio)
3. **PROGRAM:** En modo de CD o USB, presionar para programar las pistas. In modo de Radio, presionar para almacenar la estación.
4. **RADIO:** Presionar para entrar al modo de Radio. Presionar nuevamente para seleccionar entre la banda de AM o FM
5. **USB:** Presionar para entrar al modo de USB.
6. **■:** Presionar para detener la reproducción.
7. **PAIR/ ▶ II /SCAN:** Presionar para Iniciar, Pausar o reanudar la reproducción. En modo de Radio, presionar y sostener para el escaneo y almacenamiento automático de las estaciones. En modo Bluetooth® presionar y sostener para desactivar la sincronía
8. **◀/CH-:** En modo de CD o USB, presionar una vez para volver al inicio de la pista, presionar dos veces para saltar a la pista anterior; presionar y sostener para regresar rápidamente en la pista. En modo de USB o Bluetooth® presionar una vez para saltar a la pista anterior. En el modo de almacenar las estaciones de Radio, presionar para seleccionar el número de memoria. En modo de Radio, presionar para sintonizar.
9. **VOL-:** Presionar para disminuir el nivel del volumen.
10. **FOLDER DN:** En modo de CD o USB, presionar para seleccionar la carpeta. En modo de Radio, presionar para ver o seleccionar una estación almacenada.
11. **OPEN/CLOSE:** Presionar para expulsar o ingresar la bandeja del Disco Compacto.
12. **DELETE:** Presionar para borrar pistas en la memoria USB.
13. **REPEAT:** En modo de CD o USB, presionar para seleccionar el modo de repetición.
14. **RANDOM:** En modo de CD o USB, presionar para seleccionar el modo de reproducción al azar
15. **PHONO:** Presionar para entrar el modo de Tocabiscos.
16. **CD:** Presionar para entrar al modo de Disco Compacto.
17. **AUX:** Presiónelo para escuchar una fuente externa conectada al conector LINE IN.
18. **REC:** In los modos de reproducción de Disco Compacto, Tocabiscos, Presionar para entrar al modo de grabación; presionar nuevamente para finalizar la grabación.
19. **VOL+:** Presionar para aumentar el nivel del volumen.



20. **▶/CH+:** En modo de CD o USB, presionar para saltar a la pista siguiente; presionar y sostener para avanzar rápidamente en la pista. En modo de Radio, presionar y sostener para la búsqueda automática de una estación. En el modo de almacenar las estaciones, presionar para seleccionar el número de memoria. En modo de Bluetooth®, presionar para saltar a la pista siguiente.
21. **FOLDER UP:** En modo de CD o USB, presionar para seleccionar la carpeta. En modo de Radio, presionar para ver o seleccionar una estación almacenada.
22. **Manual Track Increment:** En los modos de grabación Bluetooth®, Entrada Auxiliar, Tocar Discos, presionar para dividir la música.
23. : Presionar para entrar al modo de Bluetooth®.

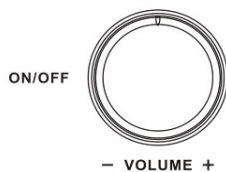
# OPERACIÓN BÁSICA Y AJUSTES

## AJUSTES

1. Conectar el cordón de alimentación al tomacorriente. Nota: Para prevenir interferencias, evitar colocar los cables de señal de audio junto al cordón de alimentación.
2. Al sintonizar una estación de Radio FM, desenrollar y extender la antena completamente, direccionar la antena para lograr una mejor sinfonía de las estaciones.


## OPERACIÓN BÁSICA

1. Presionar **VOLUME/ON/OFF** en la unidad o **POWER** en el control remoto para encender la unidad, presionar nuevamente para apagar la unidad.



2. Presionar repetidamente **FUNCTION** en la unidad o el botón correspondiente en el control remoto para seleccionar el modo de fuente deseado.



3. Girar **VOLUME/ON/OFF** o presionar **VOL-**, **VOL+** en el control remoto para ajustar el volumen al nivel deseado.
4. Para escuchar en privado, primero reducir el volumen de la unidad al mínimo. Insertar los audífonos en el conector , entonces ajustar el volumen al nivel deseado. Nota: Al conectar los audífonos las bocinas de la unidad se desconectan automáticamente.

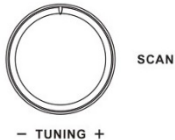


# OPERACIÓN DEL RADIO

1. Presionar repetidamente **FUNCTION** en la unidad o **RADIO** en el control remoto para seleccionar el modo de Radio AM/FM. La pantalla despliega AM o FM.



2. Girar **TUNING/SCAN** en la unidad para sintonizar la estación deseada.



3. presionar **⏪**, **⏩** en el control remoto para sintonizar la estación paso a paso, presionar y sostener **⏪**, **⏩** para la sintonía automática de una estación.
4. Almacenar una estación:
  - i. Puede almacenar hasta 9 estaciones en la banda de AM y 9 estaciones en la banda de FM para sintonizar directamente.

## Almacenamiento automático:

1. Presionar y sostener **TUNING/SCAN** en la unidad o presionar **PAIR/▶ || /SCAN** en el control remoto para iniciar el escaneo y almacenamiento automático en memoria de las estaciones con señal en la banda de sintonía.
2. Presionar **PROG** en la unidad o **FOLDER DN**, **FOLDER UP** en el control remoto para ver o seleccionar una estación almacenada en memoria.

## Almacenamiento manual

1. Seleccionar la estación deseada (AM o FM).
2. Presionar **PROG** la pantalla despliega P01
3. Presionar **⏪**, **⏩** para seleccionar el número de memoria deseado de P1 a P9.
4. Presionar **PROG** nuevamente para confirmar y almacenar la estación en la memoria. Nota: Si almacena la estación en un número de memoria donde estaba almacenada otra estación, la estación anterior es borrada de memoria.
5. Presionar **PROG** en la unidad o **FOLDER DN**, **FOLDER UP** en el control remoto para ver o seleccionar una estación almacenada en memoria.

# ENTRADA AUXILIAR

Puede reproducir una fuente de audio externa (iPod, Reproductor MP3, Reproductor de Disco Compacto portátil, Tableta, etc.) a través de las bocinas de la unidad VHRP-1400, al conectarlo en los conectores de entrada **LINE IN** a través del cable del cable de Línea/RCA

## ENTRADA DE LINEA (ENTRADA AUXILIAR)

1. Insertar los conectores de extremo del cable RCA (incluido) en los conectores de entrada **LINE IN** de la unidad.
  - a. Insertar los conectores rojo y blanco del cable en los conectores del mismo color en la unidad.
  - b. Insertar el conector de Ø 3.5mm del cable en la salida de audio o salida para audífonos del dispositivo de audio externo (iPod, Reproductor MP3, Reproductor de Disco Compacto portátil, Tableta, etc.).
2. Presionar repetidamente **FUNCTION** en la unidad o **AUX** en el control remoto para seleccionar el modo de Entrada Auxiliar.


## SALIDA DE LINEA:

1. Conectar una bocina o sistema de entretenimiento externo usando los conectores de salida de línea **LINE OUT**.
  - a. Insertar los conectores rojo y blanco del cable RCA (no incluido) en los conectores del mismo color en la unidad.
  - b. Insertar los conectores del otro extremo del cable RCA en los conectores de entrada auxiliar de la bocina o sistema de entretenimiento externo verificando los códigos de colores al conectarlos.
  - c. Aumentar el volumen en la unidad al 50 %, ajustar el volumen en la bocina o sistema de entretenimiento externo al nivel deseado.

# SINCRONIA BLUETOOTH®

En el modo de entrada Bluetooth® puede escuchar la reproducción de un dispositivo de audio externo Bluetooth® a través de las bocinas de la unidad

## SINCRONÍA DE ENTRADA BLUETOOTH®

1. Presionar repetidamente **FUNCTION** en la unidad o  en el control remoto para seleccionar el modo de Bluetooth®, la unidad entra el modo de sincronía automáticamente.
2. Asegurarse que la función Bluetooth® del dispositivo externo esta activada (por ejemplo, Teléfono, Tableta, etc.).
3. En el dispositivo externo activar la búsqueda de dispositivos. La distancia efectiva de operación entre la unidad y el dispositivo Bluetooth® es de 10 metros.
4. Seleccionar "**VICTOR VHRP-1400**" en la lista desplegada para sincronizarlos.
5. Algunas veces se despliega una ventana requiriendo una contraseña, de ser necesario, ingresar "0000" o "1234" y presionar "OK" para sincronizarlos.

- Una vez que la sincronización es exitosa, iniciar la reproducción en el dispositivo Bluetooth® externo para escucharla a través de las bocinas de la unidad.

#### SINCRONIZACION DE SALIDA BLUETOOTH®

- En los modos de Disco Compacto, Entrada Auxiliar, Fono, el Tocabiscos puede transmitir la reproducción de los mismos en forma inalámbrica a un dispositivo Bluetooth® externo.
- En los modos de Disco Compacto, Entrada Auxiliar, Fono Bluetooth emitirá automáticamente. Si desea utilizar un altavoz Bluetooth externo para conectarse a la unidad, simplemente configure el altavoz Bluetooth en el modo de emparejamiento.
- Presionar y sostener por 2 segundos **TUNING/SCAN** en la unidad para desconectar el dispositivo sincronizado o iniciar una nueva sincronía.
- Después de la conexión Bluetooth, la unidad estará en silencio. Puede ajustar el volumen del altavoz Bluetooth externo a través de la perilla de VOLUMEN en la unidad o los botones VOL+/VOL - en el control remoto.
- Al cambiar a los modos de memoria USB, Radio, la sincronización Bluetooth® se desactiva.

Nota: Asegurarse que la función de Bluetooth® este desactivada en cualquier dispositivo Bluetooth® cercano a la unidad para conectar la bocina deseada y que la distancia efectiva entre la bocina y la unidad es de 10 metros.

## OPERACIÓN DEL TOCADISCOS

- Presiona repetidamente **FUNCTION** en la unidad o **PHONO** en el control remoto para seleccionar el modo de tocadiscos, la pantalla despliega "PHONO".



- Seleccionar la velocidad de reproducción de 33 1/3, 45, 78 rpm de acuerdo con el disco a reproducir.
- Colocar el disco sobre la base giratoria (usar el adaptador al reproducir un disco de 45 rpm).
- Mover la palanca para levantar el brazo fonocaptor, colocar el brazo fonocaptor por encima del disco.
- Mover la palanca para bajar el brazo fonocaptor sobre el disco para iniciar la reproducción.
- Cuando el disco termina la reproducción, el brazo fonocaptor se detiene en el centro del disco, el brazo fonocaptor de regresarse sobre el soporte manualmente.

Nota: Después de reproducir un disco de vinilo de 45 & 78 RPM, se detendrá en unos 60 segundos.

## OPERACIÓN DEL DISCO COMPACTO CD/CD-MP3

- Presiona repetidamente **FUNCTION** en la unidad o **CD** en el control remoto para seleccionar el modo de Disco Compacto, la pantalla despliega "CD".



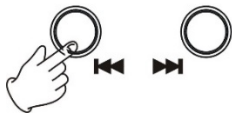
2. Presionar **OPEN/CLOSE** para expulsar la bandeja del disco y colocar un disco con la etiqueta hacia arriba.



3. Presionar **OPEN/CLOSE** para insertar la bandeja del disco. Después de unos segundos la pantalla despliega "CD READ" e inicia la reproducción de la primera pista automáticamente.
4. Presionar **▶▶** una vez para saltar al inicio de la pista siguiente.



5. Presionar **◀◀** una vez para regresar al inicio de la pista actual, presionar dos veces para saltar al inicio de la pista anterior.



6. Presionar y sostener **◀◀**, **▶▶** para regresar o avanzar rápidamente en la pista en reproducción. Nota: No presionar ambos botones al mismo tiempo, esto puede dañara la unidad. Cuando la unidad se encuentra en reproducción a velocidad rápida la salida de audio se distorsiona, al llegar al punto deseado, liberar el botón para volver a la reproducción a velocidad normal.
7. Repetir reproducción. Presionar **PLAY MODE/PROGRAM** en la unidad o **REPEAT** en el control remoto continuamente para seleccionar el modo de repetición de:
- REPEAT 1:** La pista actual se reproduce continuamente. Presionar **◀◀**, **▶▶** para seleccionar otra pista, la pista seleccionada se reproduce continuamente.
  - REPEAT:** Si el disco o memoria tienen varias carpetas, puede seleccionar la carpeta a repetir.
  - REPEAT ALL:** Repite la reproducción de todos los archivos del disco o memoria USB.
  - RANDOM:** Las pistas se reproducen al azar.
  - Para salir del modo de repetición, presionar **PLAY MODE/PROGRAM** en la unidad o **REPEAT** en el control remoto hasta que los indicadores de REPEAT o RANDOM desaparecen de la pantalla.

8. Programar reproducción. En modo detenido, presionar **PLAY MODE/PROGRAM** en la unidad o **PROGRAM** en el control remoto, la pantalla despliega PROG. Presionar **◀◀**, **▶▶** para seleccionar la pista, presionar **PLAY MODE/PROGRAM** en la unidad o **PROGRAM** en el control remoto para confirmar. Repetir los pasos anteriores para programar las demás pistas (20 en discos con formato normal y 99 en discos MP3). Presionar **▶||** para Iniciar, Pausar o Reanudar la reproducción del programa. Presionar **■** dos veces para borrar el programa.

9. Durante la reproducción, presionar **▶||** para pausarla. Presionar **▶||** nuevamente para volver a la reproducción desde el punto donde se pauso. Nota: No apagar la unidad durante la reproducción del disco, esto puede dañar la unidad.



10. Durante la reproducción, presionar ■ para detenerla.



*Nota:* Presionar **FOLDER DN** o **FOLDER UP** en el control remoto para seleccionar una carpeta en un disco o memoria MP3.

## MANEJO DE LOS DISCOS COMPACTOS

1. Dependiendo de la calidad del disco y las condiciones de grabación, algunos discos CD-R/CR-RW pueden no reproducirse.
2. Colocar los discos en la bandeja con la etiqueta hacia arriba (los discos compactos solo pueden grabarse y reproducirse de un lado).
3. Para remover el disco del estuche, presionar en el centro del estuche y levantar el disco, sostener el disco cuidadosamente por los bordes. Si el disco se ensucia, limpiarlo con una tela suave, limpia, seca y libre de pelusa. Limpiar los discos con movimientos rectos del centro hacia afuera, no limpiar con movimientos circulares.
4. No usar productos químicos como aerosoles para discos, aerosoles antiestáticos o fluidos, benceno o diluyentes para limpiar los discos. Dichos productos químicos dañarán irreparablemente la superficie de plástico del disco.
5. Los discos deben guardarse en sus estuches después de su uso para evitar el polvo y los rayones que podrían hacer que el captador láser "salte".
6. No exponer los discos a los rayos directos del sol, humedad y/o temperaturas elevadas durante períodos largos de tiempo. La exposición prolongada a altas temperaturas deformará el disco.
7. No reproducir discos de forma irregular o que estén torcidos, deformados o dañados. La reproducción de dichos discos puede causar daños irreparables a los mecanismos de reproducción.
8. No pegar etiquetas o almohadillas protectoras sobre los discos y no utilice ningún roció de recubrimiento protector.
9. Usar un marcador suave a base de aceite para escribir la información en el lado de la etiqueta. No usar una pluma de punta dura, ya que podría dañar el lado grabado.

# OPERACIÓN DE UNA MEMORIA USB

La unidad puede reproducir archivos de audio en formato MP3 en una memoria USB a través del puerto USB

*Nota:* Al reproducir archivos de audio en formato MP3 a través del puerto USB, existen variaciones en el formato de codificación de los archivos MP3, por lo tanto, algunos archivos MP3 no se pueden reproducir (o copiar) a través del puerto USB. Esto no es un mal funcionamiento de la unidad. Además, la unidad no es compatible con dispositivos iPod.

1. Presione el botón **FUNCTION** para seleccionar la función **USB** y la pantalla mostrará "USB READ".





- Insertar una memoria USB con archivos de audio MP3 en el puerto USB, después de unos segundos la unidad inicia la reproducción automática de la primera pista
- Durante la reproducción, presionar ►|| para pausarla. Presionar ►|| nuevamente para volver a la reproducción desde el punto donde se pauso.



- Presionar ◀◀, ▶▶ para seleccionar otra pista.



- Repetir reproducción. Presionar **PLAY MODE/PROGRAM** en la unidad o **REPEAT** en el control remoto continuamente para seleccionar el modo de repetición de:



**REPEAT 1:** La pista actual se reproduce continuamente. Presionar ◀◀, ▶▶ para seleccionar otra pista, la pista seleccionada se reproduce continuamente.

**REPEAT:** Si el disco o memoria tienen varias carpetas, puede seleccionar la carpeta a repetir.

**REPEAT ALL:** Repite la reproducción de todos los archivos del disco o memoria USB.

**RANDOM:** Las pistas se reproducen al azar.

Para salir del modo de repetición, presionar **PLAY MODE/PROGRAM** en la unidad o **REPEAT** en el control remoto hasta que los indicadores de REPEAT o RANDOM desaparecen de la pantalla

- Programar reproducción. En modo detenido, presionar **PLAY MODE/PROGRAM** en la unidad o **PROGRAM** en el control remoto, la pantalla despliega PROG. Presionar ◀◀, ▶▶ para seleccionar la pista, presionar **PLAY MODE/PROGRAM** en la unidad o **PROGRAM** en el control remoto para confirmar. Repetir los pasos anteriores para programar las demás pistas (20 en discos con formato normal y 99 en discos MP3). Presionar ►|| para Iniciar, Pausar o Reanudar la reproducción del programa. Presionar ■ dos veces para borrar el programa
- Durante la reproducción, presionar ►|| para pausarla. Presionar ►|| nuevamente para volver a la reproducción desde el punto donde se pauso



- Durante la reproducción, presionar ■ para detenerla.



## BORRA UNA PISTA

Durante la reproducción de una memoria USB, presionar **OPEN/CLOSE/DELETE** en la unidad o **DELETE** en el control remoto para borrar la pista de la memoria.

### Removiendo la memoria USB

Para remover la memoria USB, apagar la unidad o seleccionar otro modo de operación. No remover la memoria USB durante la reproducción de los archivos de la misma. Esto puede dañar la unidad y/o memoria.

## GRABACION DE UN DISCO COMPACTO


La unidad puede codificar la reproducción de un Disco Compacto normal a formato MP3 y grabarlo en una memoria USB a través el puerto USB

1. En el modo de Disco Compacto, insertar una memoria USB en blanco en puerto USB.
2. Presionar **REC** en la unidad o control remoto, la pantalla despliega REC y el indicador USB empieza a destellar en la pantalla.
3. Presionar **REC** nuevamente para finalizar la grabación.

*Nota: La grabación desde el disco compacto, divide automáticamente la música.*

## GRABACION DE TOCADISCOS, ENTRADA AUXILIAR, BLUETOOTH®

La unidad puede codificar la reproducción en los modos de Tocabiscos, Entrada Auxiliar o Bluetooth® a formato MP3 y grabarlo en una memoria USB a través el puerto USB

1. Presionar repetidamente **FUNCTION** en la unidad o **PHONO, AUX, ** en el control remoto para seleccionar el modo de operación deseado.
2. Iniciar la reproducción de los archivos en el modo seleccionado.
3. Presionar **REC** en la unidad o control remoto, la pantalla despliega REC y el indicador USB empieza a destellar en la pantalla.
4. Durante la grabación, presionar **Manual track increment** en el control remoto para dividir la música.
5. Presionar **REC** nuevamente para finalizar la grabación.

*Nota: Si no hay señal de audio, la grabación se pausa.*

# MANTENIMIENTO

La cabeza fonocaptora debe durar unas 50 horas con un uso normal. Sin embargo, se recomienda reemplazarla tan pronto como se noten cambios en la calidad del sonido. El uso prolongado de una aguja desgastada puede dañar los discos. El desgaste de la cabeza fonocaptora se acelerará al reproducir discos de 78 rpm.

## Remover la cabeza gastada:

1. Colocar un desarmador en la punta de la cabeza, empujar hacia abajo (A).
2. Remover la cabeza jalando simultáneamente hacia abajo y hacia el frente.

## Instalar la cabeza nueva:

1. Sostener la punta de la cabeza e insertar el borde posterior haciendo presión (B)
2. Empujar hacia arriba (C) hasta que se asegure en la punta.



# GUIA PARA SOLUCION DE PROBLEMA

## Cuidado con la condensación

Cuando el reproductor (o disco compacto) experimenta un cambio repentino de temperatura, existe el peligro de condensación. El vapor de agua podría condensarse en el mecanismo o en el captador láser. Si se forman gotas de agua en estas partes, la reproducción adecuada será imposible porque el láser no puede leer correctamente la información del disco. Si va a utilizar el reproductor en una condición en la que podría producirse condensación, dejar el reproductor durante 1 o 2 horas después de conectarlo al tomacorriente, según la cantidad de condensación. Si se hace esto, el reproductor se estabilizará a la temperatura ambiente.

En caso de problemas con la unidad, revisar la siguiente guía para solución de problemas y vea si puede resolverlo usted mismo antes de llamar al distribuidor o acudir al centro de servicio autorizado.

	Problema	Solución
General	No enciende	Conectar el cordón de alimentación al tomacorriente y encender la unidad.
	No hay salida de audio	Ajustar el nivel del volumen o seleccionar el modo correcto.
	Salida de audio con ruido	Apagar la TV u otros aparatos que generar interferencia. Reubicar la unidad
	No responde la unidad	Esto puede deberse a factores externos como descargar electrostáticas. Desconectar el cordón de alimentación y los dispositivos conectados a la unidad. Después de unos minutos, conectar el cordón de alimentación y encender la unidad.
Radio	No sintoniza la estación o la sintonía es débil	Sintonizar la estación adecuadamente. Apagar la TV u otros aparatos que generar interferencia.
	Salida de audio distorsionada	Extender y reorientar la antena o la unidad para mejorar la sintonía.
Disco Compacto	El disco se detiene o pausa durante la reproducción.	Insertar el disco con la etiqueta hacia arriba. Limpiar y secar el disco. Reemplazar el disco.
	No hay salida de audio	Iniciar la reproducción, ajustar el nivel del volumen o seleccionar el modo correcto.
	Reproducción con ruido, se detiene o salta	Disco dañado deformado o sucio. Reemplazar o limpiar y secar el disco

# NOTICIA FCC

Este dispositivo cumple con la parte 15 de las reglas FCC. La operación del aparato está sujeta a las dos siguientes condiciones: (1) Este aparato no puede causar interferencia perjudicial y (2) este aparato debe aceptar cualquier interferencia recibida, incluyendo interferencias que puedan causar un funcionamiento no deseado.

**NOTA:** Este producto ha sido probado y cumple con las limitaciones de un equipo digital Clase B, de acuerdo con la Parte 15 de las Normas FCC. Estos límites están diseñados para permitir una protección razonable contra interferencia dañina en una instalación residencial. Este equipo genera, usa y puede emitir energía de frecuencia radial y, de no ser instalado y utilizado de acuerdo con las instrucciones, puede causar interferencia dañina a las comunicaciones radiales. Sin embargo, no existe garantía de que la interferencia no pueda ocurrir en una instalación particular. Si este equipo causa una interferencia dañina a la recepción de la radio o la televisión, lo cual se puede determinar encendiendo y apagando el equipo, se recomienda al usuario tratar de corregir la interferencia mediante una o más de las siguientes medidas:

- Orientar o reubicar la antena receptora.
- Aumentar la separación entre el equipo y el receptor.
- Conectar el equipo a un tomacorriente o circuito de alimentación diferente al del receptor.
- Consultar a su proveedor o a un técnico de radio y televisión.

**ADVERTENCIA:** Cualquier cambio o modificación no expresamente aprobada por la parte responsable del cumplimiento puede anular la autoridad del usuario para operar este producto.

Este producto no debe ser colocado u operado en conjunto con cualquier otra antena o transmisor.

Para cumplir con las pautas de exposición a radiofrecuencia de la FCC, colocar el producto a una distancia mínima de 20 cm de las personas cercanas.

# DECLARACION IC

Este dispositivo cumple con RSS247 de la Industria de Canadá. Este dispositivo cumple con los estándares RSS exentos de licencia de Industria de Canadá. El funcionamiento está sujeto a las dos condiciones siguientes: (1) este dispositivo no puede causar interferencias y (2) este dispositivo debe aceptar cualquier interferencia, incluidas las interferencias que puedan provocar un funcionamiento no deseado del dispositivo. El dispositivo no debe ubicarse ni operarse junto con ninguna otra antena o transmisor.

Este dispositivo cumple con los límites de exposición a la radiación de IC establecidos para un entorno no controlado.

El dispositivo debe instalarse y operarse con una distancia mínima de 20 cm entre el radiador y el cuerpo.

# PRECAUCION SOBRE MODIFICACIONES

Cualquier cambio o modificación no aprobado expresamente por el concesionario de este dispositivo puede anular la autoridad otorgada por la FCC para operar este equipo. Los equipos eléctricos y electrónicos contienen materiales, componentes y sustancias que pueden ser peligrosos para su salud y el medio ambiente, si el material de desecho (equipos eléctricos y electrónicos desechados) no se manipula correctamente. Los equipos eléctricos y electrónicos están marcados con el símbolo del bote de basura tachado, que se ve a continuación. Este símbolo significa que los equipos eléctricos y electrónicos no deben desecharse con otros desechos domésticos, sino que deben desecharse por separado. Todas las ciudades han establecido puntos de recolección, donde los equipos eléctricos y electrónicos pueden entregarse sin cargo en las estaciones de reciclaje y otros sitios de recolección o recolectarse en los hogares. Información adicional está disponible en el departamento técnico de su ciudad.



## SOPORTE

Hacemos todo lo posible para ofrecer productos de alta calidad a nuestros clientes. Si experimenta algún problema con su producto, comuníquese con el servicio de atención al cliente, muchos problemas se pueden resolver rápidamente.

Si tiene problemas con su dispositivo, consulte las instrucciones de este manual. También visítenos en la página web en [www.naxa.com](http://www.naxa.com) para obtener noticias, alertas y documentación actualizadas para su dispositivo. Para obtener asistencia adicional, comuníquese con el soporte técnico de Naxa.

**Soporte Técnico Naxa**  
2320 East 49<sup>th</sup> St.  
Vernon, CA 90058  
(866) 411-6292  
<http://www.naxa.com/supportcenter>

*Este producto es fabricado y vendido bajo la responsabilidad de NAXA ELECTRONICS INC. Los logotipos de VICTOR y el Perro con el Fonógrafo son marcas registradas usadas bajo licencia por NAXA ELECTRONICS INC. Para más información en [www.victor-brand.com](http://www.victor-brand.com). Todos los demás productos, servicios, empresas, marcas registradas, nombres comerciales o de productos y logotipos a los que se hace referencia en este documento son propiedad de sus respectivos dueños.*