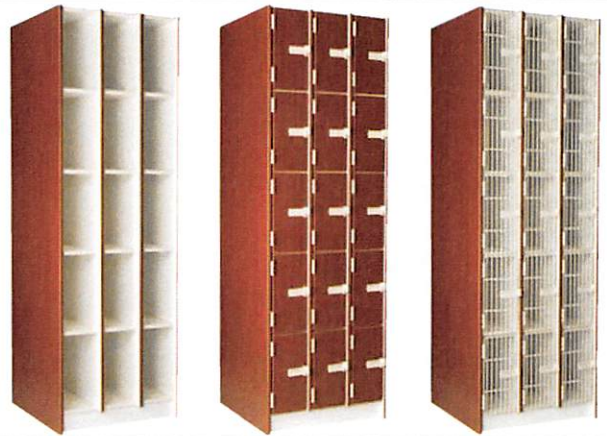




Stevens I.D.SYSTEMS®
800.350.3270
www.IDSystemsStorage.com



MUSIC TALL CABINETS

Images Depict Typical Music Cabinet Assemblies

STEP-BY-STEP INSTALLATION

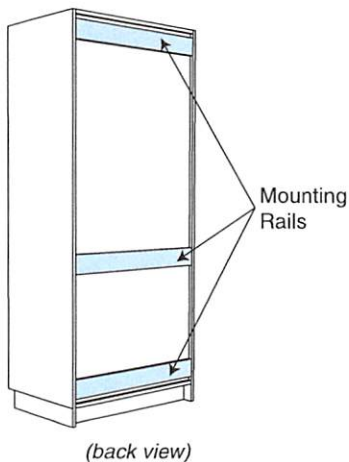
ATTENTION

Please unpack and assemble in an area away from children's activities. Remove all tools and excess materials from work area after assembly of unit is complete. Dispose of pallet and packaging materials in an environmentally friendly manner. If any parts are missing or damaged, please call Stevens for immediate parts replacement (1-800-350-3270). When ordering parts, give the Model Number and Color of the unit.

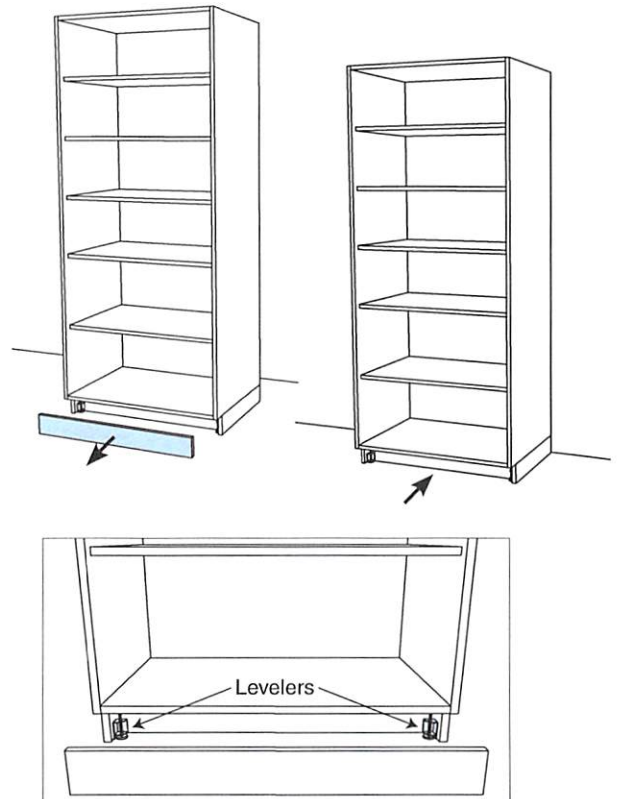
NOTE:

Pulls are preinstalled on the inside of fronts and must be reinstalled on the outside. However, they are shown in their final mounting position on installation drawings.

- 1 Note that there are three (3) Mounting Rails on the back side of the Music cabinet.



- 2 Remove the toe kick by pulling forward. This will provide access to the (2) front corner Levelers. Position cabinet against wall in desired location.

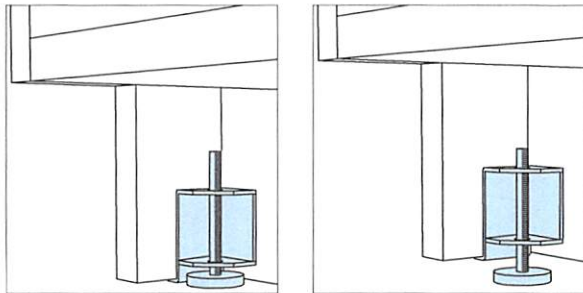
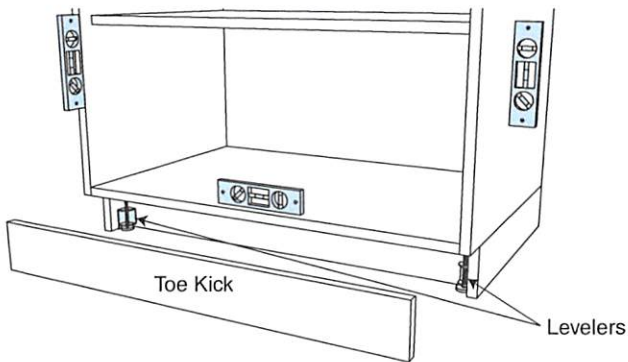


STEP-BY-STEP INSTALLATION

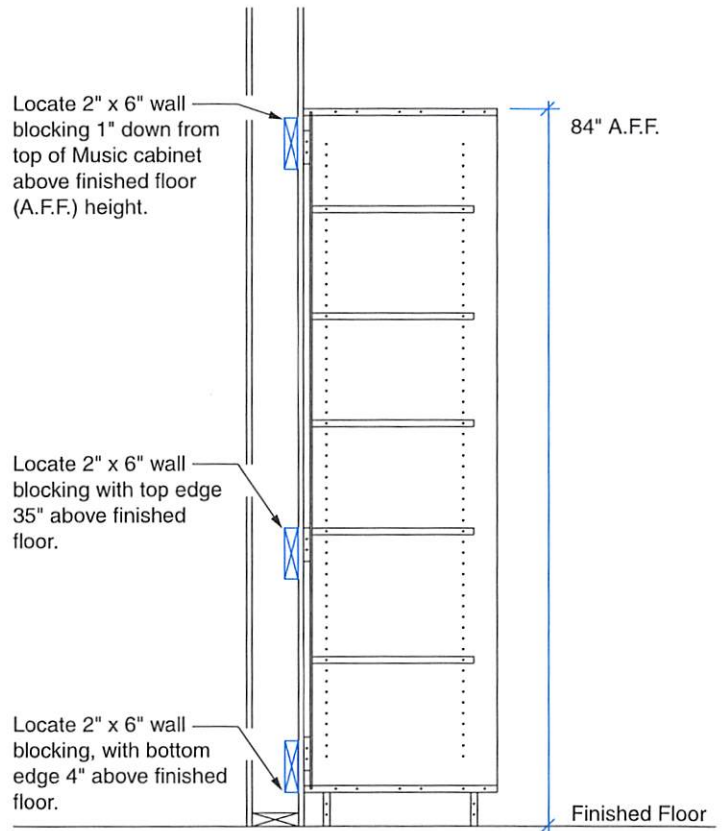
- 3 Using a level, adjust the (2) front corner Levelers until the sidewall, front edge and cabinet floor are plumb.

NOTE:

The levelers can be adjusted either by hand or by using an allen wrench in the top of the adjustment bolt. Turn clockwise to lift and counterclockwise to lower.



- 4 Note that internal wall blocking is required for attachment of Music cabinets to wood and metal stud walls, as illustrated below.



CAUTION!

Never rely on simply anchoring into gypsum, plaster or thin paneling wall. Always fasten into hard areas of masonry walls, studs and internal wall blocking.

NOTE:

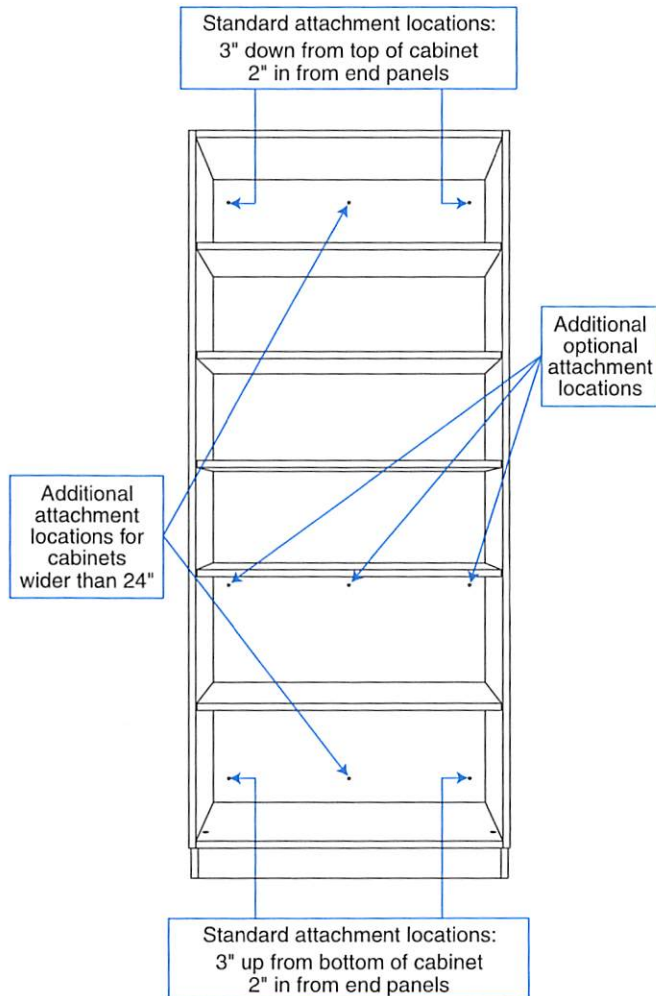
Block or concrete walls require no blocking. Attachment to wall with proper concrete or masonry anchors required.

MUSIC TALL CABINETS



STEP-BY-STEP INSTALLATION

- 5 Note that there is a minimum of four (4) standard locations for attachment of the Music cabinet to the building structure, as illustrated below. Additional centered locations are recommended for cabinets wider than 24". Anchoring devices (*not provided*) must pass through the Mounting Rails on the back of the cabinet.



- 6 Securely attach cabinet to building structure through the Mounting Rails in the locations illustrated in Step #5.

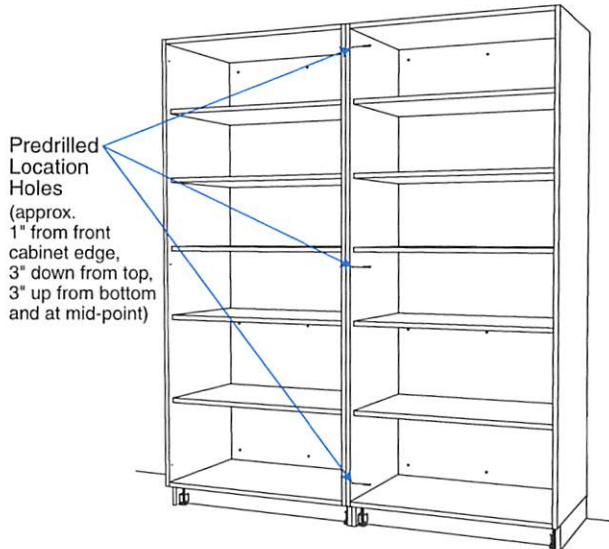
Fastening anchors (not provided) to be of type suitable for wall structures such as block and concrete, wood stud walls and metal stud walls. Do not attach directly to drywall or thin paneling.

CAUTION!
Never rely on simply anchoring into gypsum, plaster or thin paneling wall. Always fasten into hard areas of masonry walls, studs and internal wall blocking.

IMPORTANT!
Assembly must be securely attached to building structure with anchoring devices of appropriate type, size and quantity in accordance with applicable codes and accepted installation practices.

STEP-BY-STEP INSTALLATION

- 7 If additional Music cabinets were purchased as an assembly, continue to mount the additional units side-by-side, using previous installation steps. Align cabinet bottoms and front vertical edges for a professional appearance. 1 1/4" screws and predrilled location holes have been included to additionally attach cabinet sides together, as may be necessary.



Hint:
Use clamps to hold cabinets together during this process.

- 9 Music cabinets are provided with an unfinished toe kick fascia in anticipation of 4" vinyl base application by flooring contractor, matching room décor.

NOTE:

If vinyl base was purchased from I.D.SYSTEMS™, it has a self-adhesive backing. After removing the protective cover strip, take care to properly position the vinyl base before applying pressure for permanent adhesion.

- 8 Reattach toe kicks by snapping them into place.

