



Stevens I.D.SYSTEMS™
800.350.3270
www.IDSystemsStorage.com



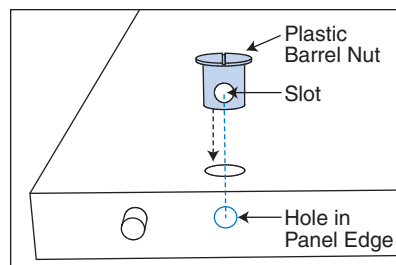
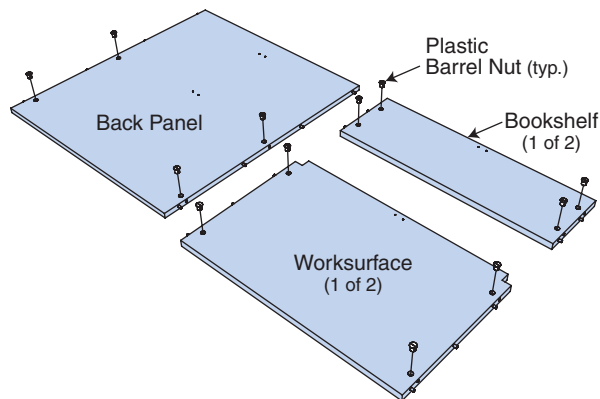
88552/88553 DOUBLE SIDED STUDY CARREL

STEP-BY-STEP INSTALLATION

ATTENTION

Please unpack and assemble in an area away from children's activities. Remove all tools and excess materials from work area after assembly of unit is complete. Dispose of pallet and packaging materials in an environmentally friendly manner. If any parts are missing or damaged, please call Stevens for immediate parts replacement (1-800-350-3270). When ordering parts, give the Model Number and Color of the unit.

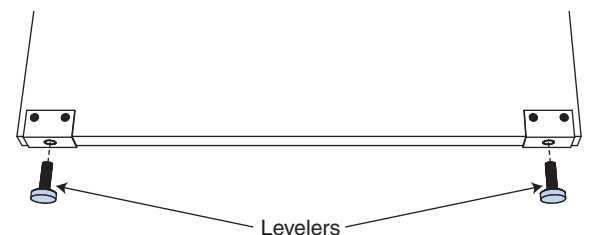
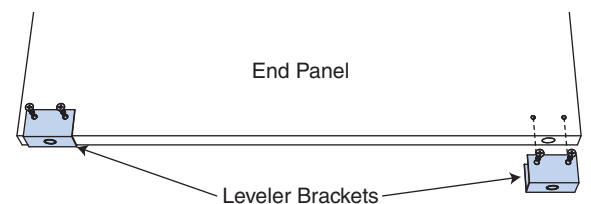
- 1** Lay both Bookshelves, both Worksurfaces and Back Panel flat on floor, with holes facing up. (For Back Panel, make sure side with large holes is facing up.) Insert four (4) Plastic Barrel Nuts into largest holes on face of each Panel, making sure slots in Barrel Nuts are aligned with corresponding holes in Panel edges. (For illustrative purposes, only one Bookshelf and Worksurface are shown below.)



- 2** Lay End Panels flat on floor, with inside face up (side with the most holes). Attach two (2) Leveler Brackets to bottom of each End Panel, aligning two (2) holes in each Leveler Bracket with holes in End Panel and securing each Leveler Bracket with two (2) 3/4" Black Pan Head Screws. Thread leveler into each Leveler Bracket.

NOTE:

Make sure attachment screws are visible from inside face of End Panels.

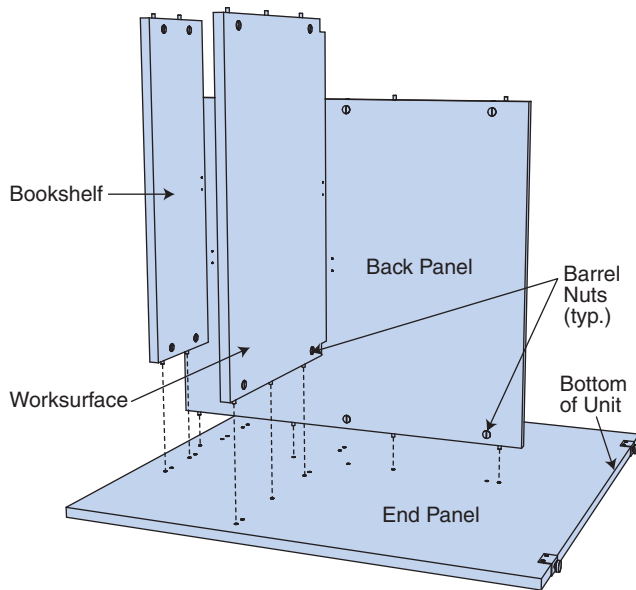


STEP-BY-STEP INSTALLATION

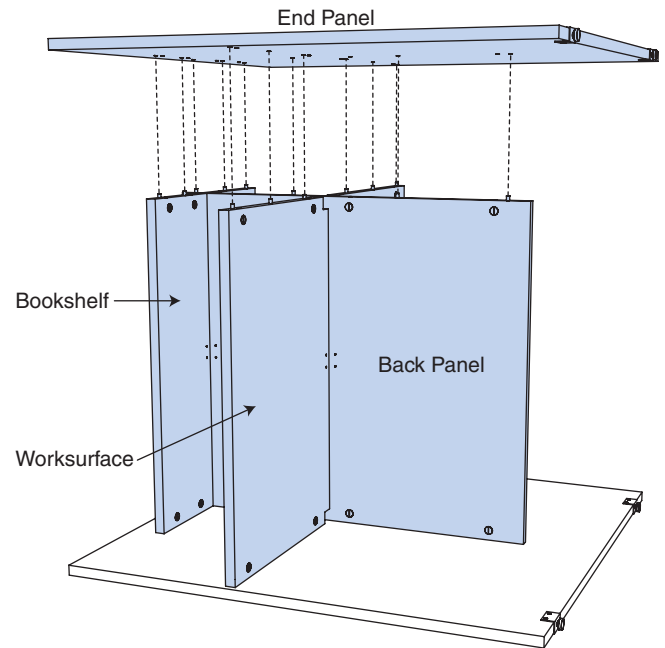
- 3** With one End Panel laying flat on floor (inside face up), align dowel pins on one (1) Bookshelf, one (1) Worksurface and Back Panel with dowel pin holes on End Panel, then press firmly into place. Repeat for Bookshelf and Worksurface on other side.

NOTE:

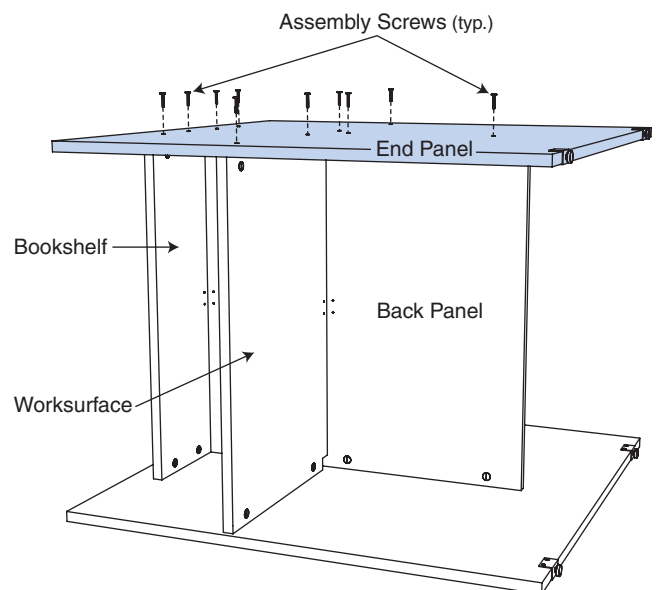
Make sure Barrel Nuts on Bookshelves, Worksurfaces and Back Panel are facing towards bottom of unit.



- 4** (requires two people) Align dowel pins on both Bookshelves, both Worksurfaces and Back Panel with dowel pin holes in other End Panel, then press End Panel firmly into place.



- 5** Attach End Panel securely to both Bookshelves, both Worksurfaces and Back Panel, using ten (10) Assembly Screws through End Panel and into Barrel Nuts.



STEP-BY-STEP INSTALLATION

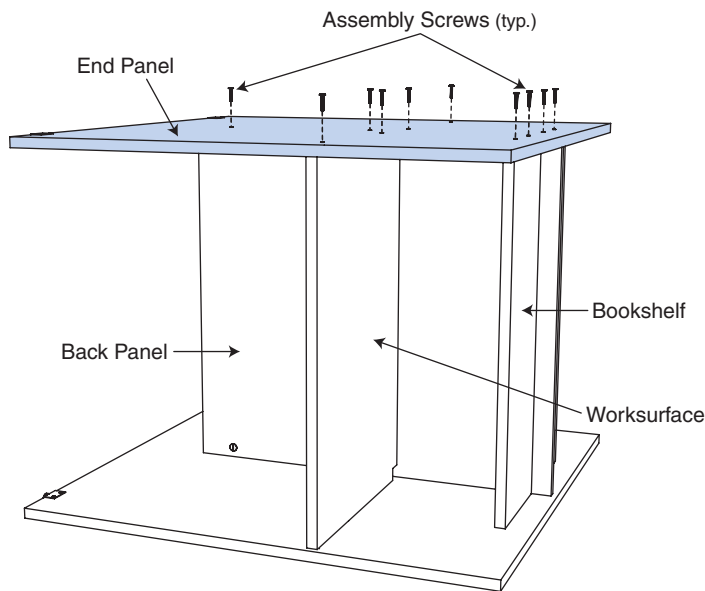
CAUTION!

For Step #6, be sure to hold End Panels securely against Bookshelves, Worksurfaces and Back Panel to prevent parts from separating while flipping unit over.

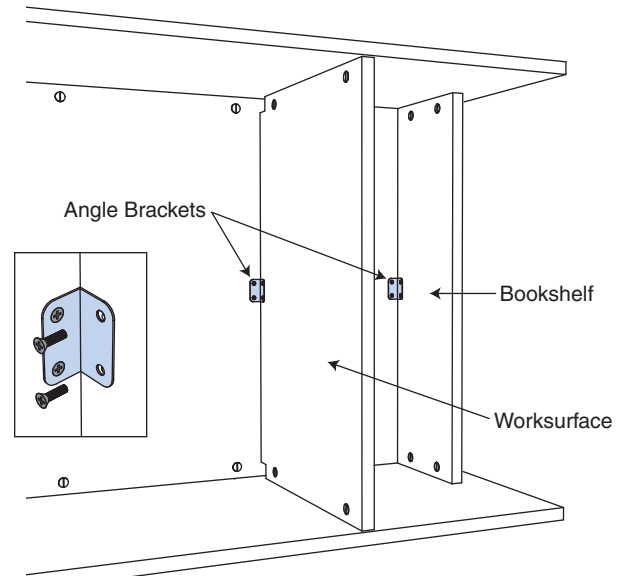
- 6** (requires two people) Carefully flip unit over and secure opposite End Panel to both Bookshelves, both Worksurfaces and Back Panel, using ten (10) Assembly Screws.

NOTE:

Lay unit over onto Back Panel first, then over onto attached End Panel.



- 7** Attach one (1) Angle Bracket under each Bookshelf and under each Worksurface, using four (4) 3/4" Black Flat Head Screws.



- 8** Stand unit upright. Adjust levelers as needed.



This completes the installation.