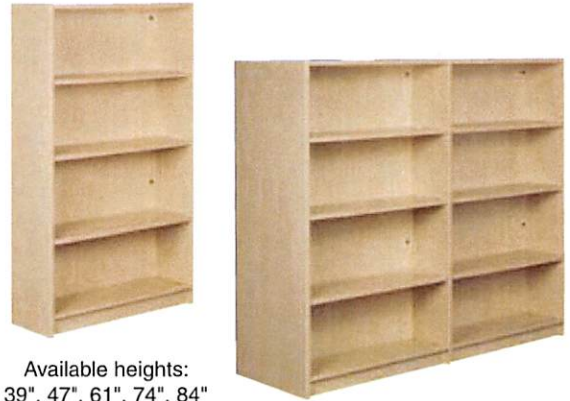




Stevens I.D.SYSTEMS™
800.350.3270
www.IDSystemsStorage.com



Available heights:
39", 47", 61", 74", 84"

STARTER/ADDER SHELVING

STEP-BY-STEP INSTALLATION

ATTENTION

Please unpack and assemble in an area away from children's activities. Remove all tools and excess materials from work area after assembly of unit is complete. Dispose of pallet and packaging materials in an environmentally friendly manner. If any parts are missing or damaged, please call Stevens for immediate parts replacement (1-800-350-3270). When ordering parts, give the Model Number and Color of the unit.

IMPORTANT

Single Face units must be attached to building structure by anchoring through the 3/4" backs to walls with anchoring devices of appropriate type, size and quantity in accordance with applicable codes and accepted installation practices. Fastening anchors (not provided) to be of type suitable for wall structures such as block and concrete, wood stud walls and metal stud walls. Do not attach directly to drywall, plaster or thin paneling. Always fasten into hard areas of masonry walls, studs and internal wall blocking.

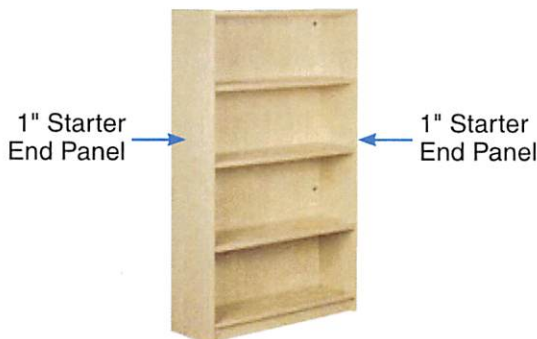
NOTE:

Assembly instructions are included for both STARTER SHELVING and for STARTER / ADDER COMBINATION SHELVING.

Both sets of instructions begin with Step #1 on Page 2.

End Panel and Center Panel identification is critical for correct unit assembly!

STARTER SHELVING



STARTER / ADDER COMBINATION SHELVING





STARTER SHELVING

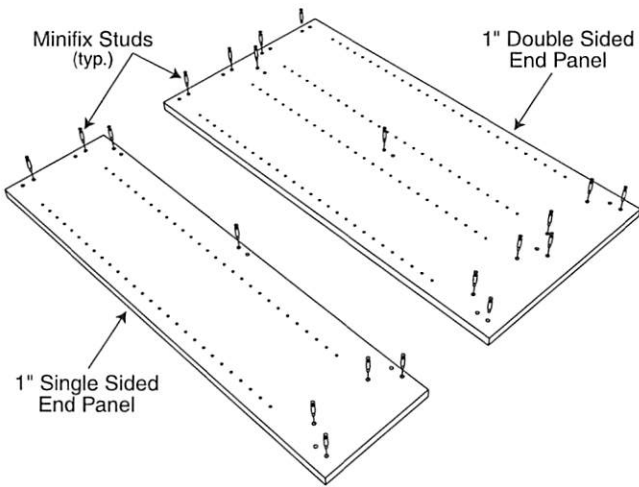
STEP-BY-STEP INSTALLATION

- 1 Determine if you are assembling a Single Sided or Double Sided shelving unit.

NOTE:

These instructions are illustrated as a 47" tall unit. The same assembly sequence applies to all sizes, but additional hardware is used.

- 2 Install the required number of Minifix Studs into the predrilled holes in one (1) 1" thick End Panel.



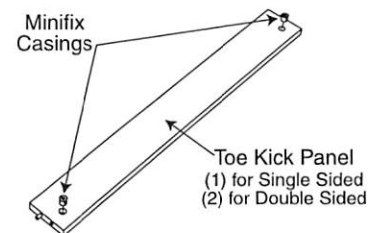
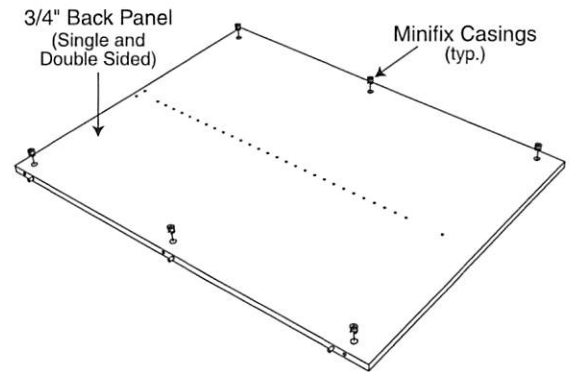
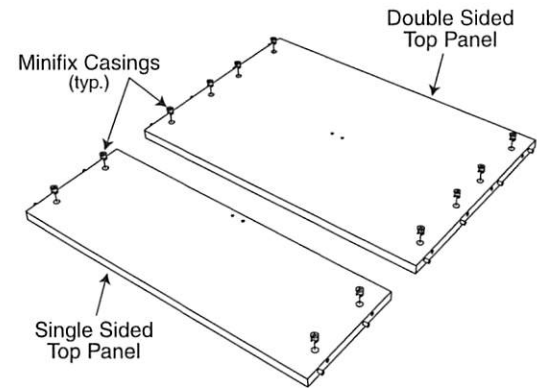
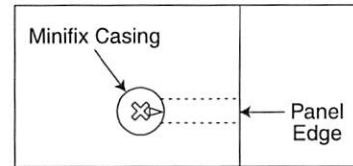
NOTE:
SINGLE FACE units are designed specifically for mounting to building back walls. **NEVER** use single face units in island or peninsula layouts.

DOUBLE FACE units are designed for island or peninsula applications. Attach units to floor with angle brackets inside toe kick areas as required.

- 3 Install the required number of Minifix Casings into the 15mm predrilled holes on the faces of the Starter Top, Back and Toe Kick Panels.

NOTE:

The Arrow on the Casings should be pointing toward the corresponding drilled hole on the panel edge.



STARTER SHELVING

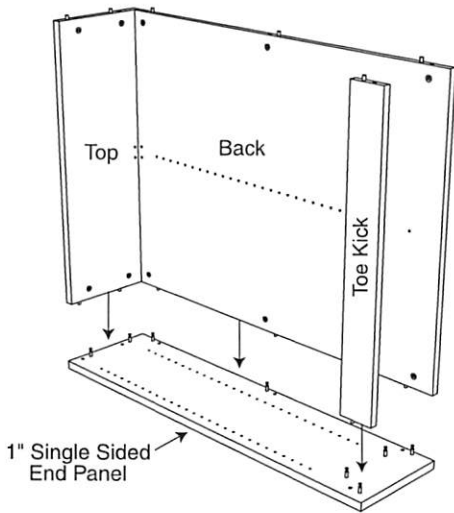
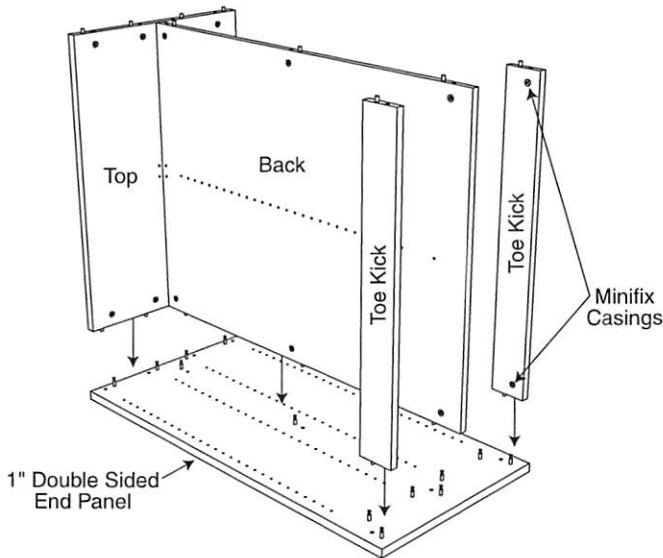


STEP-BY-STEP INSTALLATION

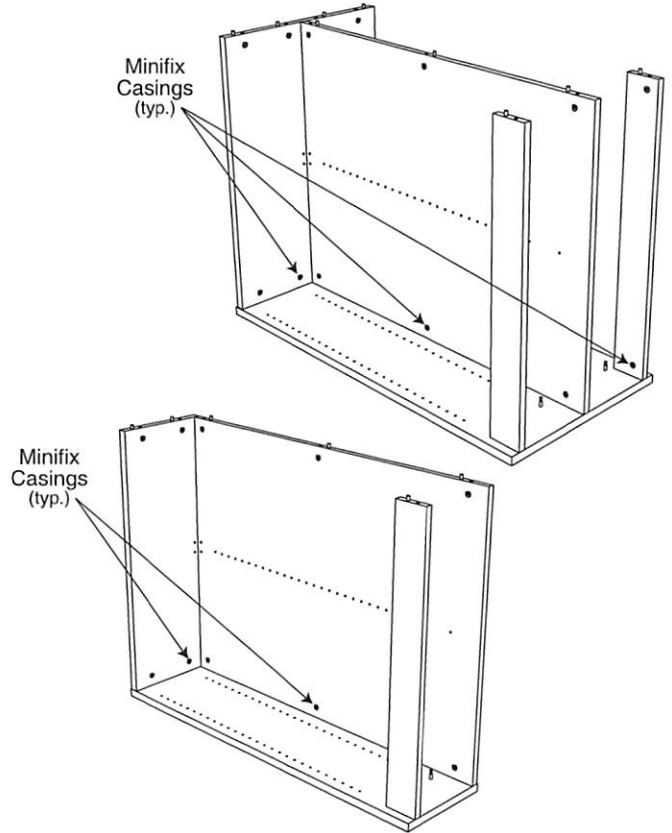
- 4** With the End Panel laying flat, align the predrilled holes and dowel pins in the edges of the Top, Back and Toe Kick Panels with the Minifix Studs and holes in the End Panel. Then, press the Panels into place.

NOTE:

Make sure the Minifix Casings on the Toe Kick(s) are facing the inside of the unit (not visible from the outside of the unit).

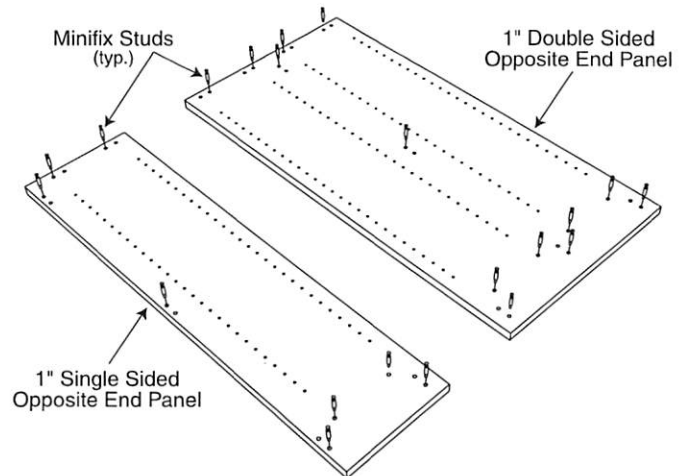


- 5** Once the panels are seated, turn the Minifix Casings clockwise to tighten.



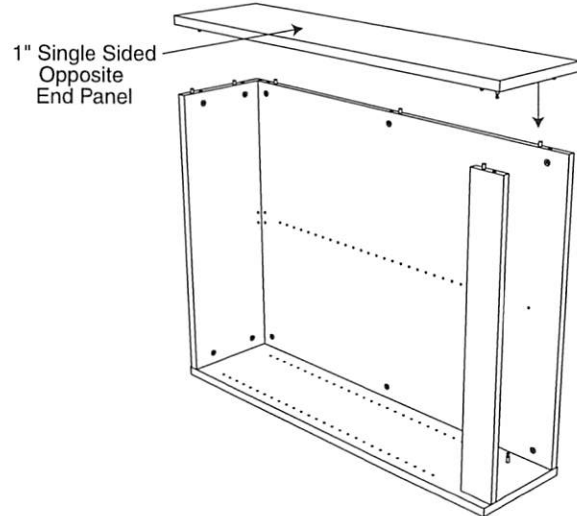
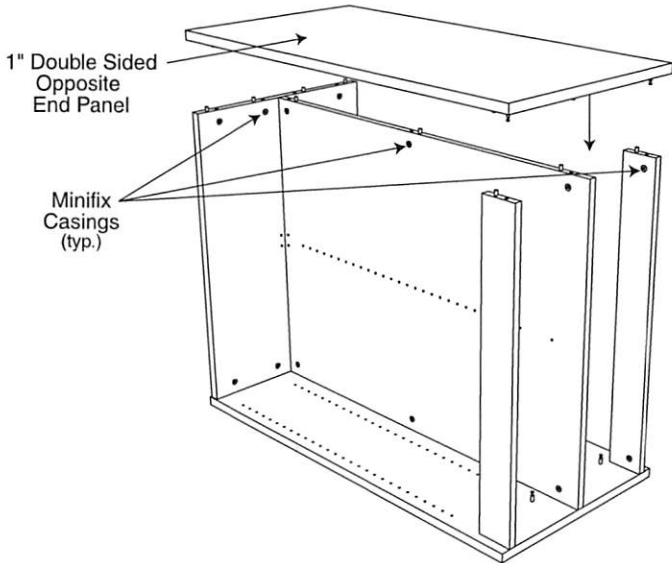
If assembling STARTER / ADDER COMBINATION SHELVING, set the other 1 inch Starter End Panel aside and go to Step #17 on Page 6.

- 6** Install the required number of Minifix Studs into the predrilled holes in the Opposite End Panel.



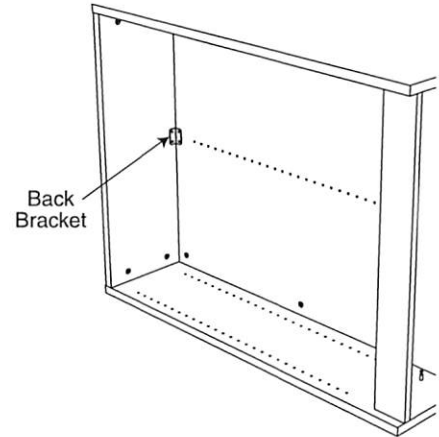
STEP-BY-STEP INSTALLATION

- 7** Align the Minifix Studs and holes in the Opposite End Panel with the predrilled holes and dowel pins in the edges of the Top, Back and Toe Kick Panels, then press the End Panel into place. Secure by turning the Minifix Casings clockwise.

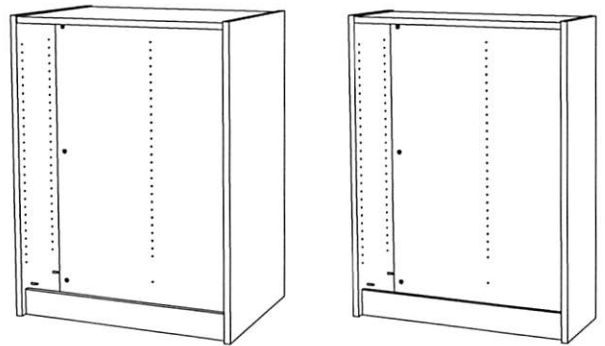


- 8** Attach the Back Bracket to the unit Top and Back, using the 5/8" Phillips screws provided.

NOTE:
There is one (1) Back Bracket per unit.



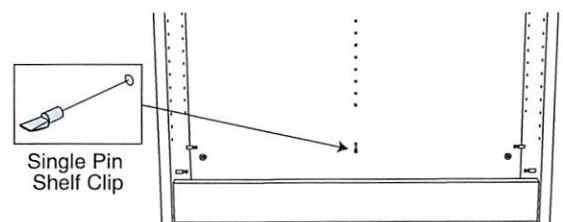
- 9** Stand the unit up and position in final location.



- 10** Re-tighten the Minifix Casings, turning clockwise.

- 11** Install the Single Pin Shelf Clip in the lowest predrilled hole in the center of the Back.

NOTE:
Double Sided unit has a Clip for each side.

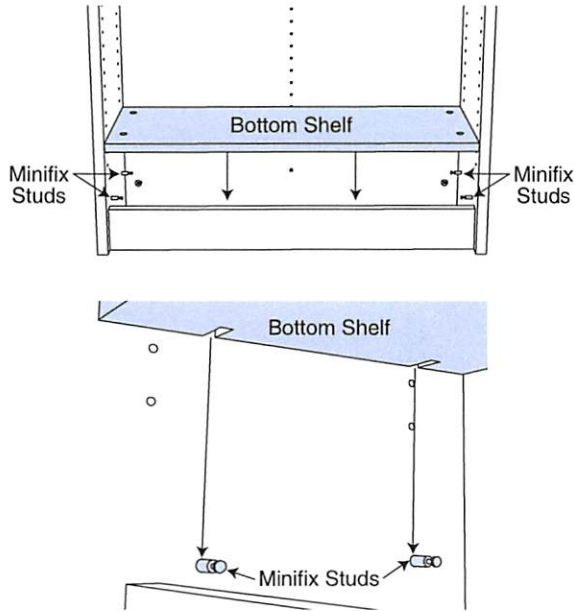


STARTER SHELVING

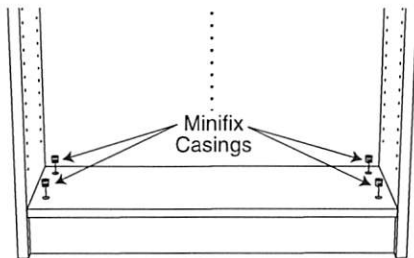


STEP-BY-STEP INSTALLATION

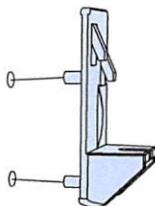
- 12** Install the Bottom Fixed Shelf by sliding it down on top of the four (4) Minifix Studs in the End Panels.



- 13** Install four (4) Minifix Casings into the 15mm predrilled holes in the Bottom Fixed Shelf, with arrows pointing toward the End Panels. Rotate the Casings clockwise to tighten.



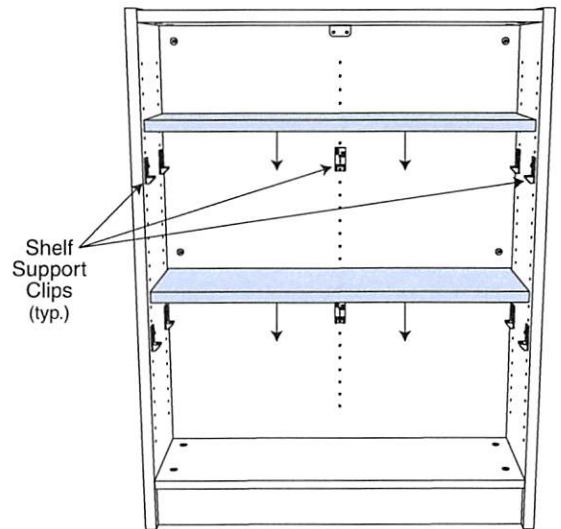
- 14** Install Shelf Support Clips into the predrilled holes in the End Panels and Back at the desired locations.



- 15** Install the 1" Adjustable Shelves, pressing down and snapping Shelves into position on the Shelf Support Clips.

NOTE:

For a more permanent installation, Shelf Support Clips can be attached to the Shelf Bottoms using the molded-in screw attachment feature.



- 16** Securely attach Single Face Starter Shelving units to building structure, anchoring through the 3/4" Backs and into the Walls. Fastening anchors (not provided) to be of type suitable for wall structures such as block and concrete, wood stud walls and metal stud walls. Do not attach directly to drywall or thin paneling.

CAUTION!

Never rely on simply anchoring into gypsum, plaster or thin paneling wall. Always fasten into hard areas of masonry walls, studs and internal wall blocking.

IMPORTANT!

Assembly must be securely attached to building structure with anchoring devices of appropriate type, size and quantity in accordance with applicable codes and accepted installation practices.

This completes the steps for a STARTER SHELVING assembly.



STARTER/ADDER COMBINATION SHELVING

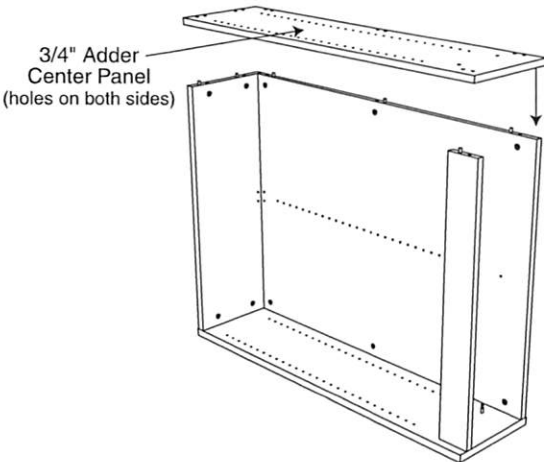
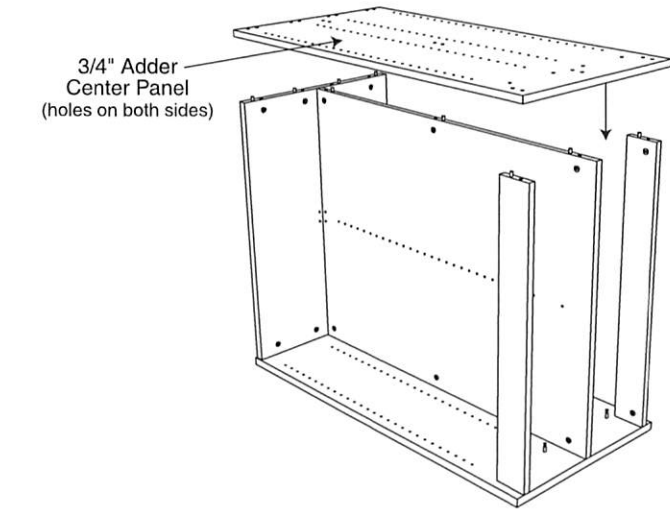
STEP-BY-STEP INSTALLATION

If assembling STARTER / ADDER COMBINATION SHELVING, continue with Step #17 below. (continued from Step #5 on page 3)

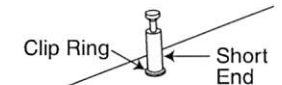
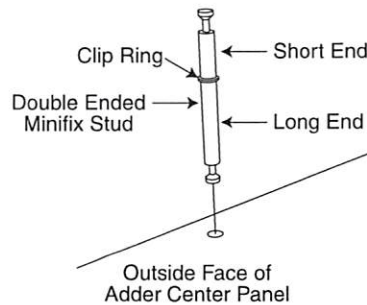
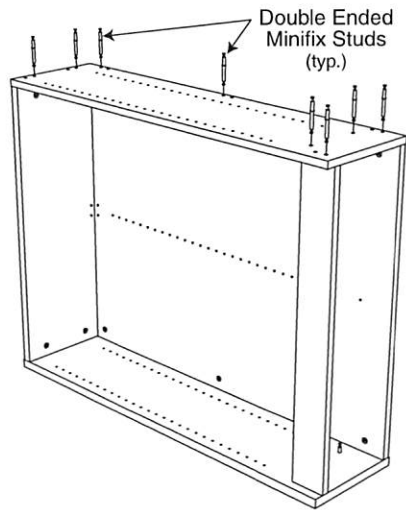
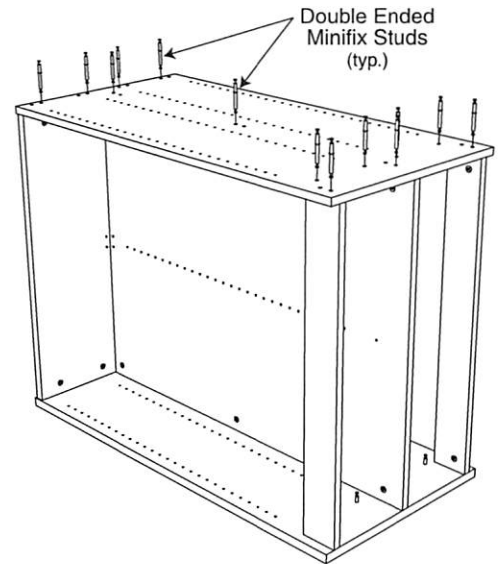
IMPORTANT!
For an ADDER assembly, there is a 3/4" thick Adder Center Panel which is drilled on both sides.

17 Align the dowel pin holes in the 3/4" thick Adder Center Panel (drilled on both faces) with the dowel pins in the edges of the Top, Back and Toe Kick Panels, then press the Adder Center Panel into place.

IMPORTANT!
Be sure to use the 3/4" thick Adder Center Panel.



18 Install the required number of Double Ended Minifix Studs (*long end first*) through the predrilled holes on the outside face of the Adder Center Panel and into the Minifix Casings on the Starter Top, Back and Toe Kick Panels. When seated properly, the Clip Rings will be snug against the outside face (with short end exposed) of the Adder Center Panel. Secure by turning the Minifix Casings clockwise.

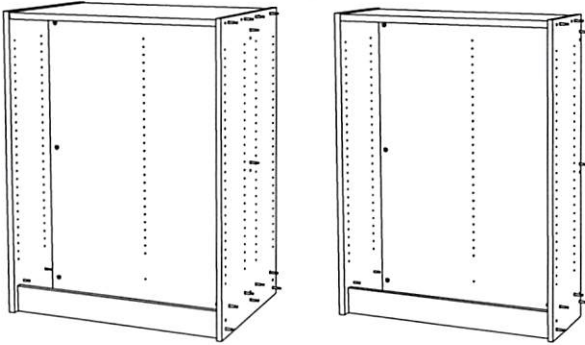


STARTER/ADDER COMBINATION SHELVING



STEP-BY-STEP INSTALLATION

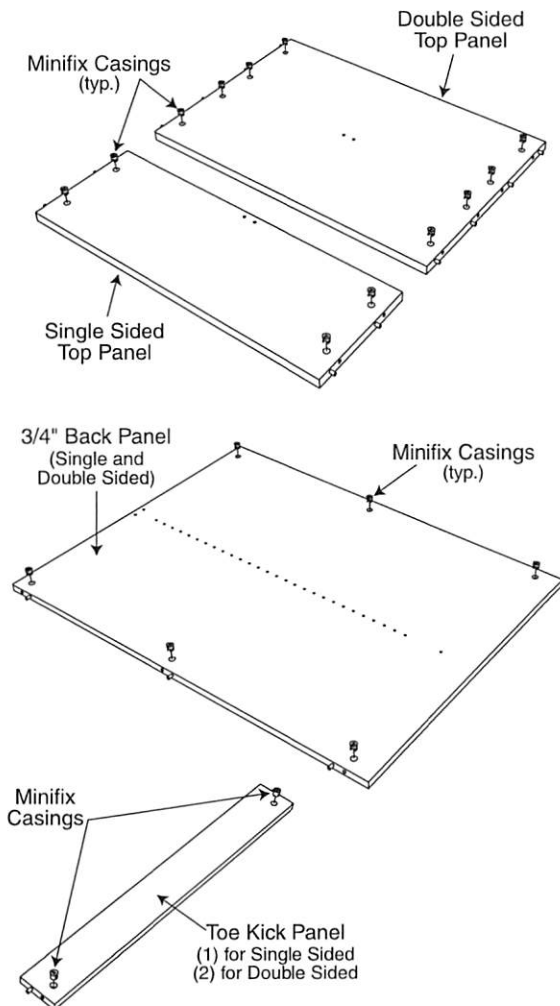
19 Stand the unit up and position in final location.



20 Install the required number of Minifix Casings into the 15mm predrilled holes on the faces of the Adder Top, Back and Toe Kick Panels.

NOTE:

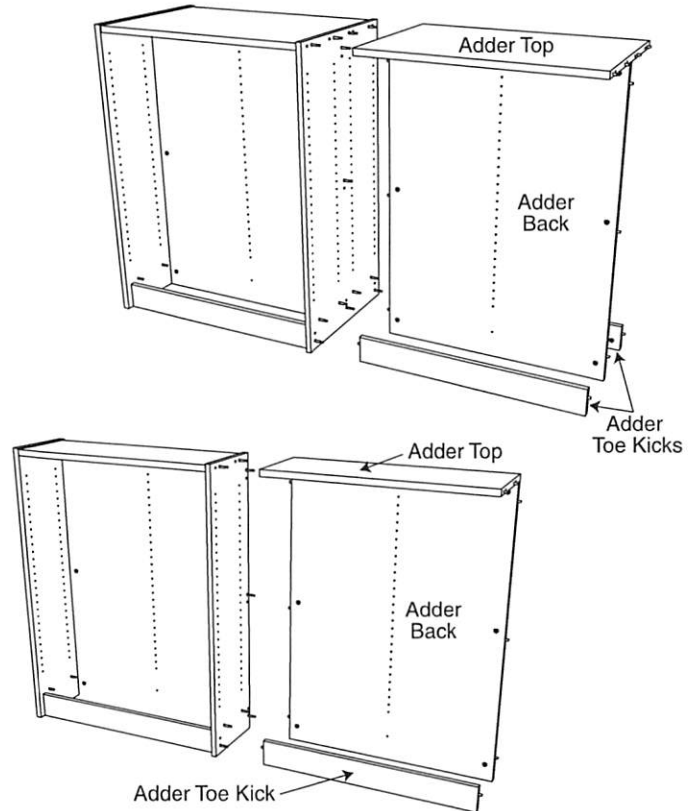
The Arrow on the Casings should be pointing toward the corresponding drilled hole on the panel edge.



21 Install the Adder Back Panel onto the exposed Double Ended Minifix Studs on the Adder Center Panel, tightening the Minifix Casings clockwise. Then, install the Adder Top and Toe Kick Panels onto the Studs on the Adder Center Panel, tightening the Minifix Casings clockwise.

NOTE:

Make sure the Minifix Casings on the Toe Kick(s) are facing the inside of the unit (not visible from the outside of the unit).



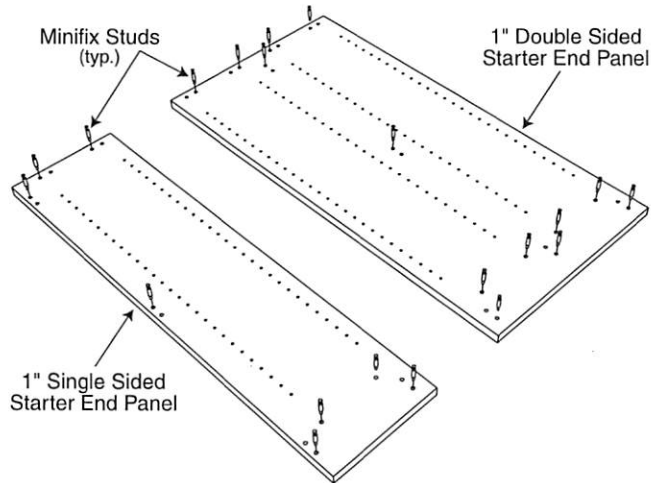
When creating a continuous run of more than two sections:

Continue adding Adder Units, starting with next 3/4" Adder Center Panel (drilled on both sides):

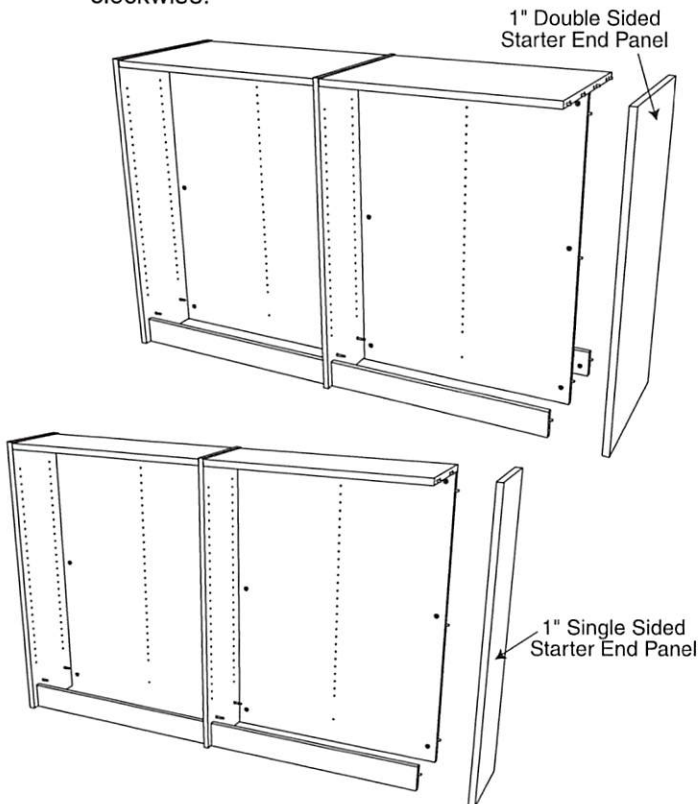
- Insert Double Ended Minifix Studs with Clip Ring facing out (basically, following Steps #20 & 21).
- Install Minifix Casings (arrow pointing toward end) into Top, Back and Toe Kick(s).
- Install Back first, then Top and Toe Kick(s) next, sliding onto Double Ended Minifix Studs.
- Tighten Minifix Casings with clockwise rotation.

STEP-BY-STEP INSTALLATION

- 22** The end of the Starter / Adder Combination Shelving or continuous run of multiple sections is finished with the 1" Starter End Panel (drilled on one side) that was set aside earlier. Install the required number of Minifix Studs into the predrilled holes in the 1" thick Starter End Panel.

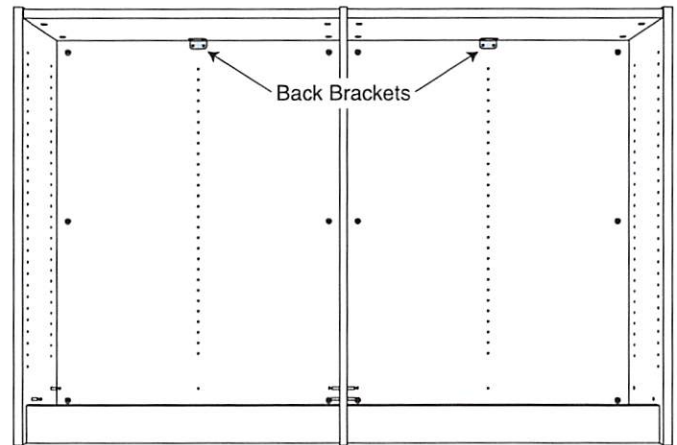


- 23** Align the Minifix Studs and holes in the Starter End Panel with the predrilled holes and dowel pins in the edges of the Top, Back and Toe Kick Panels, then press the Starter End Panel into place. Secure by turning the Minifix Casings clockwise.



- 24** Attach the Back Bracket to Top and Back of all sections of the Starter/Adder Shelving unit, using the 5/8" Phillips screws provided.

NOTE:
There is one (1) Back Bracket per section.



Follow Steps #11-#15 on pages 4 & 5 to install Bottom Shelves and Adjustable Shelves in all sections.

- 25** Securely attach Single Face Starter / Adder Shelving units to building structure, anchoring through the 3/4" Backs and into the Walls. Fastening anchors (not provided) to be of type suitable for wall structures such as block and concrete, wood stud walls and metal stud walls. Do not attach directly to drywall or thin paneling.

CAUTION!

Never rely on simply anchoring into gypsum, plaster or thin paneling wall. Always fasten into hard areas of masonry walls, studs and internal wall blocking.

IMPORTANT!

Assembly must be securely attached to building structure with anchoring devices of appropriate type, size and quantity in accordance with applicable codes and accepted installation practices.