



Stevens I.D.SYSTEMS™
800.350.3270
www.IDSystemsStorage.com



SUITE ASSEMBLIES

Images Depict Typical Suites Assemblies

STEP-BY-STEP INSTALLATION

ATTENTION

Please unpack and assemble in an area away from children's activities. Remove all tools and excess materials from work area after assembly of unit is complete. Dispose of pallet and packaging materials in an environmentally friendly manner. If any parts are missing or damaged, please call Stevens for immediate parts replacement (1-800-350-3270). When ordering parts, give the Model Number and Color of the unit.

NOTE:

Pulls are preinstalled on the inside of fronts and must be reinstalled on the outside. However, they are shown in their final mounting position on installation drawings.

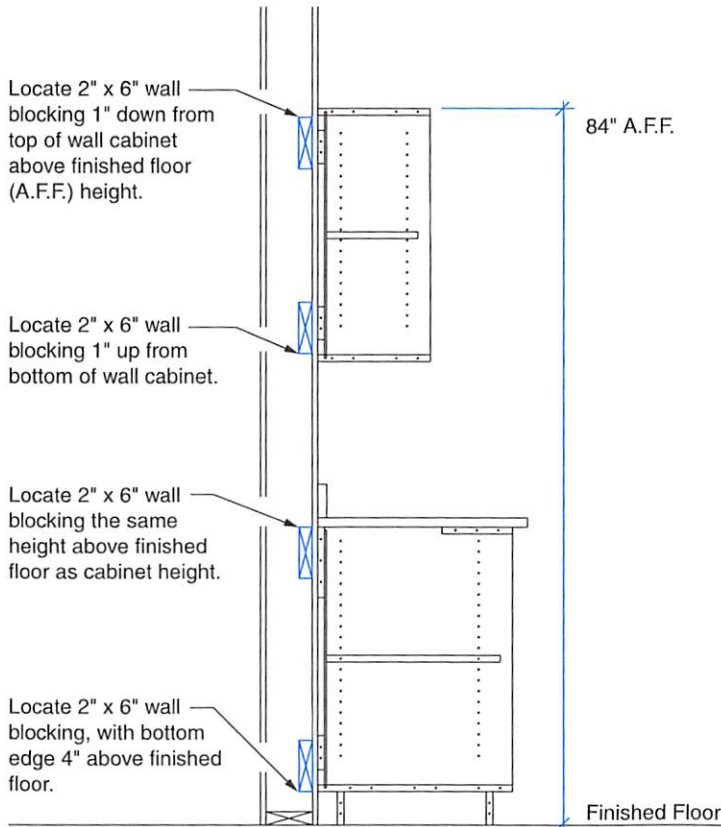
I.D.SYSTEMS Suite Assemblies are made up of individual Base Cabinets, Wall Cabinets and Countertop/Backsplash. Some cabinets are interchangeable in left and right orientation. For Assemblies that have multiple Base/Wall cabinets, the cabinets are joined together through their end panels to ensure a professional appearance.

General assembly instructions are provided. Depending on the actual Suite components, some steps may not be applicable to your specific configuration. Illustrations are general in nature and do not depict components and details unrelated to the assembly process.

Installation of Base Cabinets and Countertop/Backsplash is to be done first, which provides a surface for support of Wall Cabinets during their installation.

STEP-BY-STEP INSTALLATION

- 1 Note that internal wall blocking is required for attachment of Base and Wall cabinets to wood and metal stud walls, as illustrated below.



CAUTION!
Never rely on simply anchoring into gypsum, plaster or thin paneling wall. Always fasten into hard areas of masonry walls, studs and internal wall blocking.

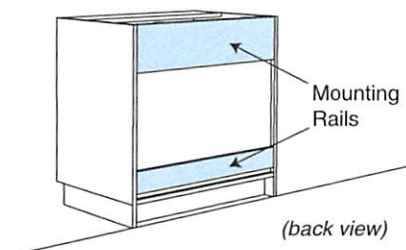
NOTE:
Block or concrete walls require no blocking. Attachment to wall with proper concrete or masonry anchors required.

WALL ANCHORING REQUIREMENTS:
AWI (Architectural Woodwork Institute) compliant shelf loading is a maximum of 50# per square foot of shelf, up to a maximum of 200# per individual shelf.

Using a 24" wide x 12" deep cabinet with one adjustable shelf as an example:

A rule of thumb would be to count the cabinet bottom, adjustable shelf and cabinet top each as a 2 square foot shelf – plus, one extra shelf length to allow for cabinet weight. Thus, a total of 8 square feet of shelf at 50# per square foot yields a minimum anchorage of 400# loading without any safety overload possible. A factor of 1.5 to 2 would indicate 600# to 800# anchorage strength.

- 2 Note that there are two (2) Mounting Rails on back side of Base cabinets.



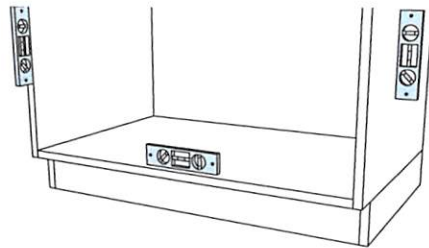
- 3 Remove at least top and bottom drawers of Base cabinets, to provide access during later steps. Be sure to note their location in cabinets, as they must go back in same location when suite installation is complete.

STEP-BY-STEP INSTALLATION

- 4 Locate first Base cabinet against wall.



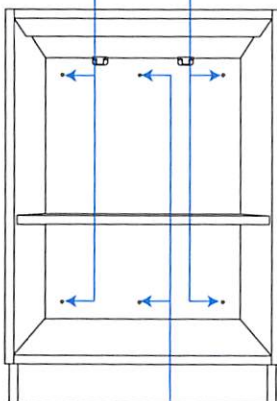
- 5 Use a level and shim as necessary (*shims not provided*) to plumb sidewall, front edge and cabinet floor and to accommodate irregular wall conditions.



Note:
Door
removed for
illustrative
purposes.

- 6 Note that there is a minimum of four (4) standard locations for attachment of Base cabinet to building structure, as illustrated below. Two (2) additional mid-point locations are recommended for cabinets wider than 24". Anchoring devices (*not provided*) must pass through Mounting Rails on back of cabinet.

4 standard attachment locations:
3" down from top of cabinet
3" up from bottom of cabinet
2" in from end panels



2 additional attachment locations
for cabinets wider than 24":
3" down from top of cabinet
3" up from bottom of cabinet
Mid-width of cabinet

- 7 Securely attach Base cabinet to building structure through both Mounting Rails, in locations illustrated in Step #6.

Fastening anchors (not provided) to be of type suitable for wall structures such as block and concrete, wood stud walls and metal stud walls. Do not attach directly to drywall or thin paneling.

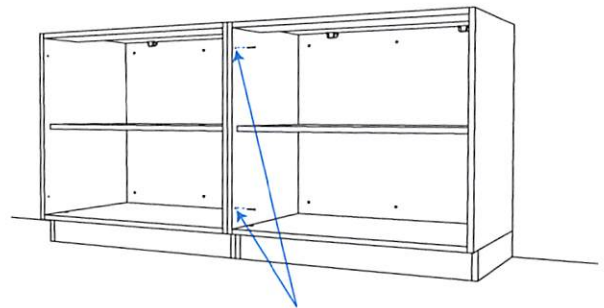
CAUTION!

Never rely on simply anchoring into gypsum, plaster or thin paneling wall. Always fasten into hard areas of masonry walls, studs and internal wall blocking.

IMPORTANT!

Assembly must be securely attached to building structure with anchoring devices of appropriate type, size and quantity in accordance with applicable codes and accepted installation practices.

- 8 If Suite Assembly has multiple Base cabinets, continue to mount cabinets side-by-side, using previous installation steps. Align cabinet bottoms and front vertical edges for a professional appearance. 1 1/4" screws and predrilled location holes have been included to additionally attach cabinet sides together, as may be necessary.



Predrilled Location Holes

Hint:

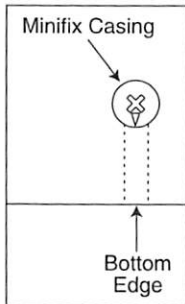
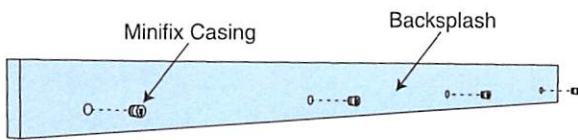
Use clamps to hold cabinets together during this process.

STEP-BY-STEP INSTALLATION

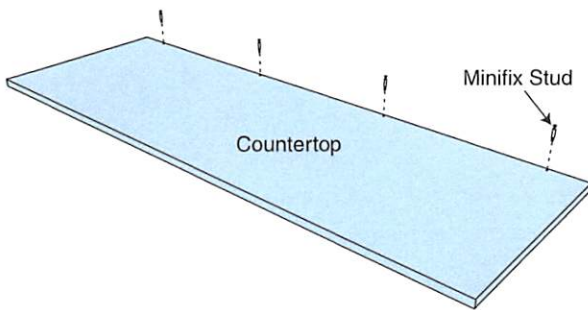
CAUTION!

*Countertops are quite heavy.
Please use caution when handling.
Do not attempt to handle without additional assistance.*

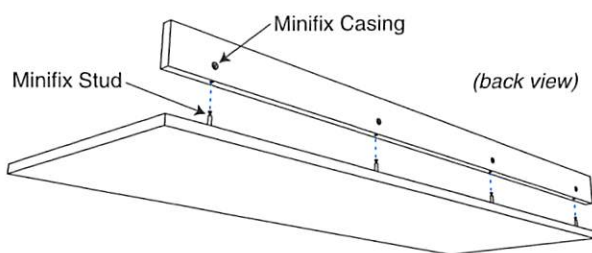
- 9 A. COUNTERTOP ASSEMBLY:** Insert Minifix Casings into large holes on back side of Backsplash. Make sure arrow on each Minifix Casing is pointing toward corresponding drilled hole on bottom edge of Backsplash. Screw Minifix studs into holes on top side of Countertop.



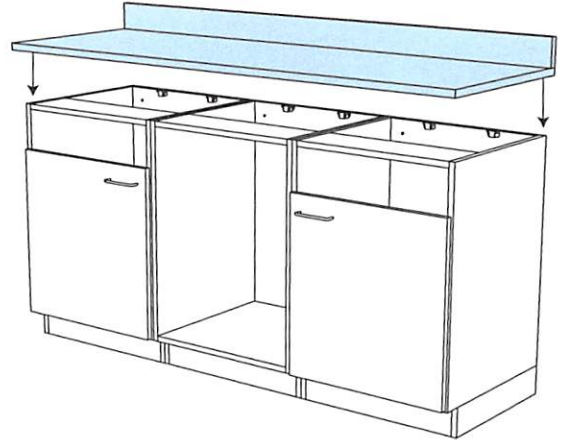
*Note:
Make sure arrow on each
Minifix Casing is pointing toward
corresponding drilled hole on
bottom edge of Backsplash.*



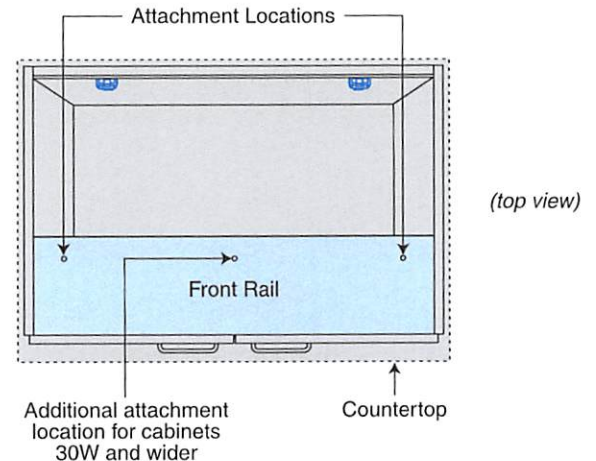
- B.** Align holes on bottom edge of Backsplash with Minifix Studs on Countertop, making sure Minifix Casings are facing toward back side of Backsplash. Press Backsplash firmly into place. Turn Minifix Casings clockwise to tighten.



- 10** Place Countertop Assembly on top of Base cabinet(s), centering side-to-side and positioning Backsplash firmly against building structure. Countertop will overhang Base cabinet(s) approximately 3/4" on left and right sides.



- 11** Attach Countertop Assembly to Base cabinet(s), using 1 1/4" screws through Front Rail and into bottom of Countertop, in locations illustrated below.

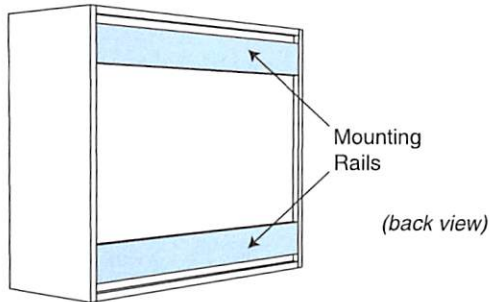


- 12** Replace drawers in Base cabinets, making sure to return them to their original locations.

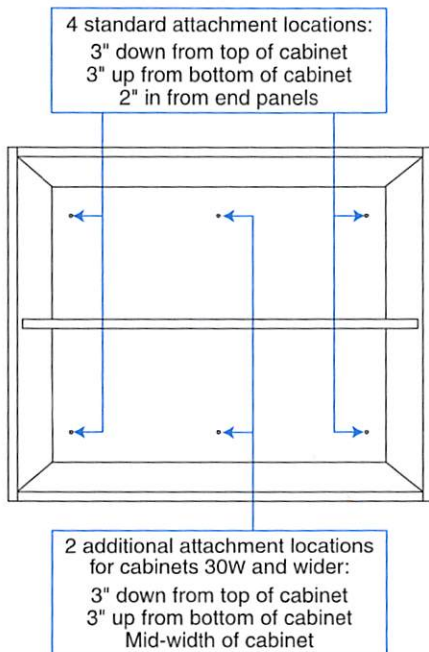
- 13** Base cabinets are provided with an unfinished toe kick fascia in anticipation of 4" vinyl base molding application. I.D.SYSTEMS™ base molding (provided) has a self-adhesive backing. After removing protective cover strip, take care to properly position vinyl base before applying pressure for permanent adhesion.

STEP-BY-STEP INSTALLATION

- 14** Note that there are two (2) Mounting Rails on back side of Wall cabinets.

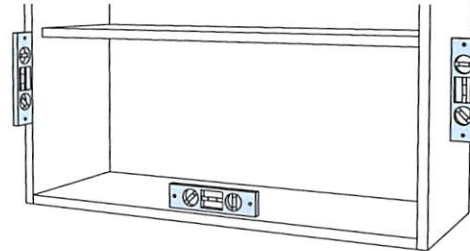


- 15** Note that there is a minimum of four (4) standard locations for attachment of Wall cabinet to building structure, as illustrated below. Two (2) additional mid-point locations are recommended for cabinets that are 30" wide and wider. Anchoring devices (*not provided*) must pass through Mounting Rails on back of cabinet.



- 16** Locate first Wall cabinet, aligning outermost edge with outermost edge of Base cabinet directly below.

- 17** Use a level on sidewall, front edge and cabinet floor to plumb Wall cabinet to wall. Shim as necessary to accommodate irregular wall conditions (*shims not provided*).

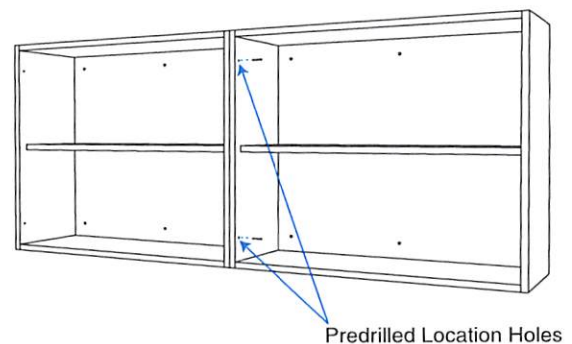


- 18** Securely attach cabinet to building structure through both Mounting Rails, in locations illustrated in Step #15.

Fastening anchors (not provided) to be of type suitable for wall structures such as block and concrete, wood stud walls and metal stud walls. Do not attach directly to drywall or thin paneling.

IMPORTANT!
Assembly must be securely attached to building structure with anchoring devices of appropriate type, size and quantity in accordance with applicable codes and accepted installation practices.

- 19** If Suite Assembly has multiple Wall cabinets, continue to mount cabinets side-by-side, using previous installation steps. Align cabinet bottoms and front vertical edges for a professional appearance. 1 1/4" screws and predrilled location holes have been included to additionally attach cabinet sides together, as may be necessary.



This completes the Suite Assembly.