



Stevens I.D. SYSTEMS™
800.350.3270
www.IDSystemsStorage.com



84212 FUME HOOD ASSEMBLY

STEP-BY-STEP INSTALLATION

ATTENTION

Please unpack and assemble in an area away from children's activities. Remove all tools and excess materials from work area after assembly of unit is complete. Dispose of pallet and packaging materials in an environmentally friendly manner. If any parts are missing or damaged, please call Stevens for immediate parts replacement (1-800-350-3270). When ordering parts, give the Model Number and Color of the unit.

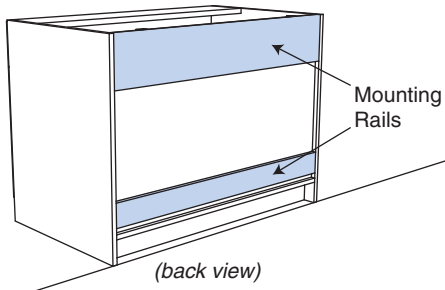
NOTE:

Pulls are preinstalled on the inside of fronts and must be reinstalled on the outside. However, they are shown in their final mounting position on installation drawings.

IMPORTANT!

Do not under any circumstances use Fume Hood without proper extraction ventilation and other utility hookups.

- 1 Note that there are two (2) Mounting Rails on the back side of the Fume Hood Base cabinet.



- 2 Position Fume Hood Base cabinet against wall in desired location.

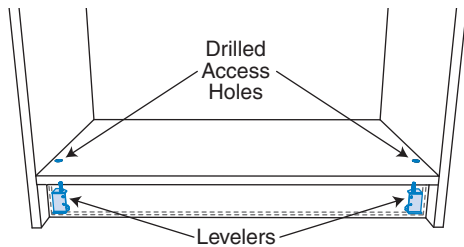


CAUTION!

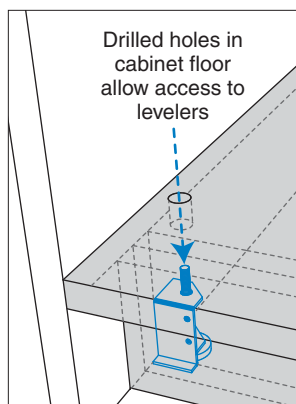
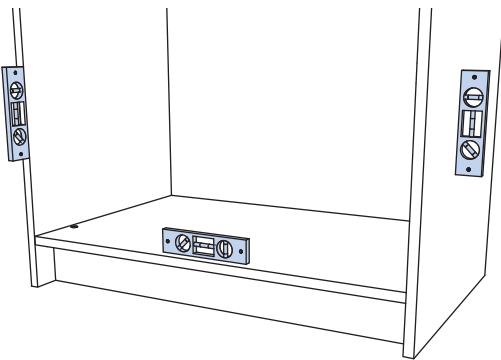
Due to sash extension when fully open, a minimum ceiling clearance of 96" above the floor is required.

STEP-BY-STEP INSTALLATION

- 3** Note that there are (2) front corner Levelers located behind the toe kick and accessible through drilled access holes in the cabinet floor. Remove the plastic plugs from the access holes in order to perform the leveling adjustments in the next step.

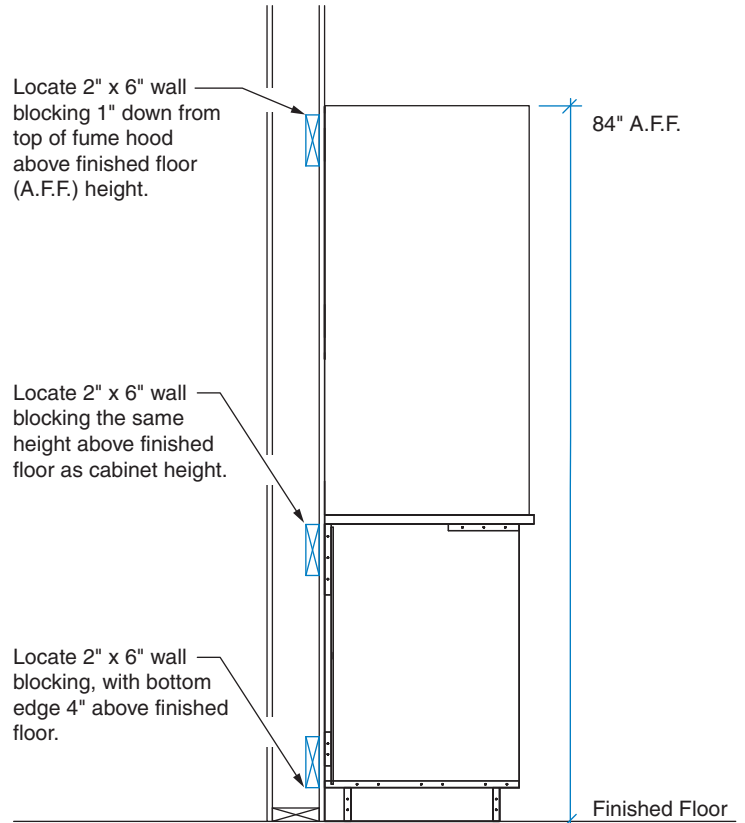


- 4** Using a level, adjust the levelers until the sidewall, front edge and cabinet floor are plumb. Insert a 4mm hex wrench through the access holes in the cabinet floor to make the adjustments. Once the adjustments are complete, reinstall the plastic plugs into the access holes.



NOTE:
Turn clockwise to lift,
counterclockwise to lower.

- 5** Note that internal wall blocking is required for attachment of Base cabinets to wood and metal stud walls, as illustrated below.



CAUTION!

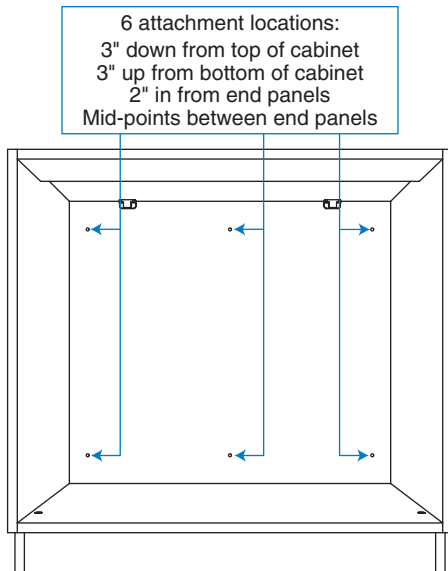
Never rely on simply anchoring into gypsum, plaster or thin paneling wall. Always fasten into hard areas of masonry walls, studs and internal wall blocking.

NOTE:

Block or concrete walls require no blocking. Attachment to wall with proper concrete or masonry anchors required.

STEP-BY-STEP INSTALLATION

- 6** Note that there is a minimum of six (6) locations for attachment of the Fume Hood Base cabinet to the building structure, as illustrated below. Anchoring devices (*not provided*) must pass through both Mounting Rails on the back of the cabinet.



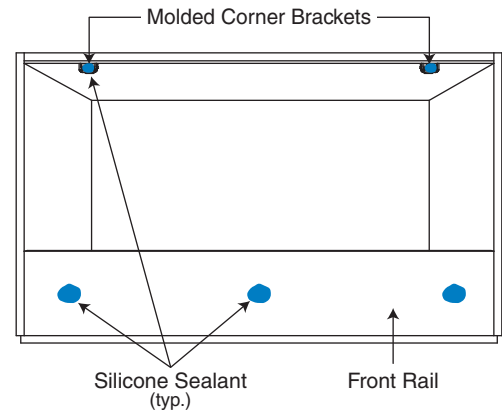
- 7** Securely attach Fume Hood Base cabinet to building structure through both Mounting Rails, in the locations illustrated in Step #6.

Fastening anchors (not provided) to be of type suitable for wall structures such as block and concrete, wood stud walls and metal stud walls. Do not attach directly to drywall or thin paneling.

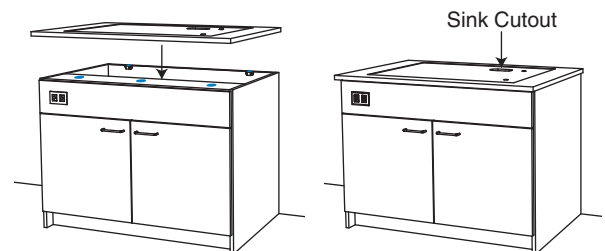
CAUTION!
Never rely on simply anchoring into gypsum, plaster or thin paneling wall. Always fasten into hard areas of masonry walls, studs and internal wall blocking.

IMPORTANT!
Assembly must be securely attached to building structure with anchoring devices of appropriate type, size and quantity in accordance with applicable codes and accepted installation practices.

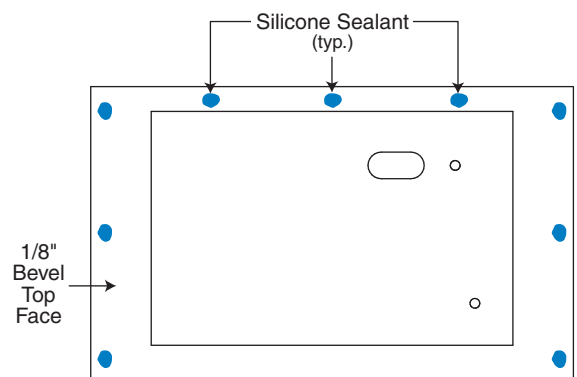
- 8** The Epoxy Countertop is held in place with silicone sealant. Apply clear silicone sealant (*provided*) in locations shown below on Molded Corner Brackets and Front Rail of Fume Hood Base.



- 9** Place Countertop onto Fume Hood Base, centering side-to-side and positioning firmly against the building structure, with the sink cutout located to the right rear.



- 10** Apply silicone sealant to the Countertop in the general locations shown, approximately 1 1/2" in from the side and back edges, for attachment of the Fume Hood structure.

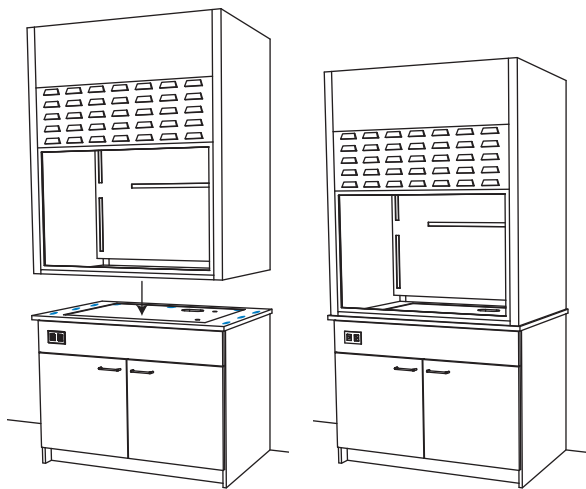


STEP-BY-STEP INSTALLATION

- 11** Place Fume Hood structure onto Countertop, centering it side-to-side and positioning firmly against the building structure. Attach Fume Hood to wall through the upper compartment area of the metal Fume Hood structure.

NOTE:

Be sure to have adequate help. Caution must be taken since the movable glass sash and counterweight add considerable weight to the unit. The unit itself weighs in excess of 180 pounds.



- 12** Electrical connections for light and blower to be performed by licensed electrician in accordance with all applicable codes.

**NOTE TO ELECTRICIAN:
FUME HOOD REQUIREMENTS**

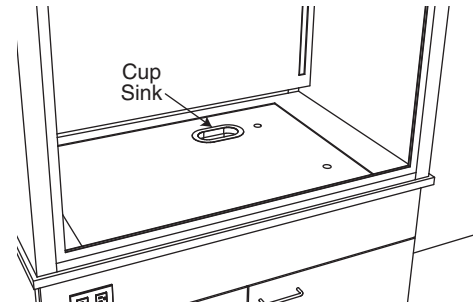
110V single phase 15 amp circuit with a remote switch (not included for hood light). Supply 110V single phase 15 amp power to GFI receptacle on fascia panel of base cabinet.

- 13** HVAC connections to be performed by licensed HVAC contractor in accordance with all applicable codes.

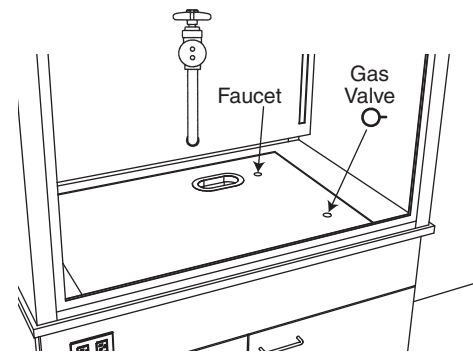
NOTE TO HVAC CONTRACTOR:

Minimum exhaust blower requirement is 920 cubic feet per minute at .25 static pressure at hood connection.

- 14** Install Cup Sink with clear silicone sealant.



- 15** Utility hookups for cold water gooseneck Faucet, Drain and Gas Valve assembly to be performed by licensed plumber in accordance with all applicable codes.



- 16** Fume Hood Base cabinet is provided with a finished toe kick fascia. However, 4" vinyl base may be applied by flooring contractor to match room décor, if desired.

NOTE:

If vinyl base was purchased from I.D.SYSTEMS™, it has a self-adhesive backing. After removing the protective cover strip, take care to properly position the vinyl base before applying pressure for permanent adhesion.

IMPORTANT!
Do not under any circumstances use Fume Hood without proper extraction ventilation and other utility hookups.