



Stevens I.D. SYSTEMS™  
800.350.3270  
www.IDSystemsStorage.com



## 84170/84172/84174 PERIMETER WORK COUNTERS

### STEP-BY-STEP INSTALLATION

#### ATTENTION

Please unpack and assemble in an area away from children's activities. Remove all tools and excess materials from work area after assembly of unit is complete. Dispose of pallet and packaging materials in an environmentally friendly manner. If any parts are missing or damaged, please call Stevens for immediate parts replacement (1-800-350-3270). When ordering parts, give the Model Number and Color of the unit.

#### NOTE:

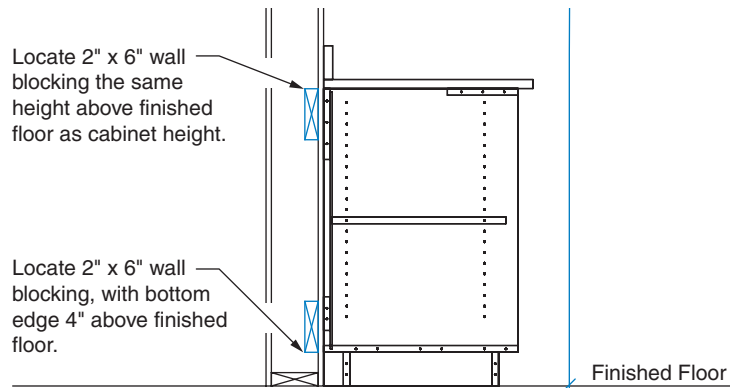
*Pulls are preinstalled on the inside of fronts and must be reinstalled on the outside. However, they are shown in their final mounting position on installation drawings.*

**I.D.SYSTEMS Science Perimeter Work Counters** are made up of individual Base Cabinets and Countertop/Backsplash. Some cabinets are interchangeable in left and right orientation. For assemblies that have multiple cabinets, the cabinets are joined together through their end panels to ensure a professional appearance.

General assembly instructions are provided. Some steps may not be applicable to your specific configuration. Illustrations are general in nature and do not depict components and details unrelated to the assembly process.

## STEP-BY-STEP INSTALLATION

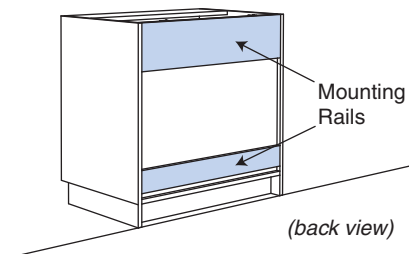
- 1** Note that internal wall blocking is required for attachment of Base cabinets to wood and metal stud walls, as illustrated below.



**CAUTION!**  
Never rely on simply anchoring into gypsum, plaster or thin paneling wall. Always fasten into hard areas of masonry walls, studs and internal wall blocking.

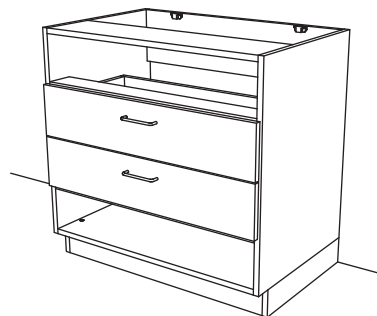
**NOTE:**  
Block or concrete walls require no blocking. Attachment to wall with proper concrete or masonry anchors required.

- 2** Note that there are two (2) Mounting Rails on back side of Base cabinets.

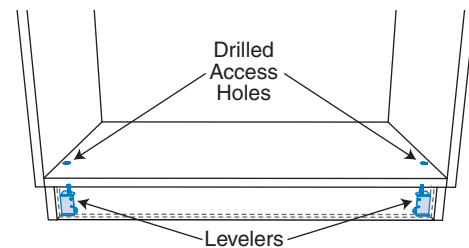


- 3** Remove at least top and bottom drawers of Base cabinets, to provide access during later steps. Be sure to note their location in cabinets, as they must go back in same location when installation is complete.

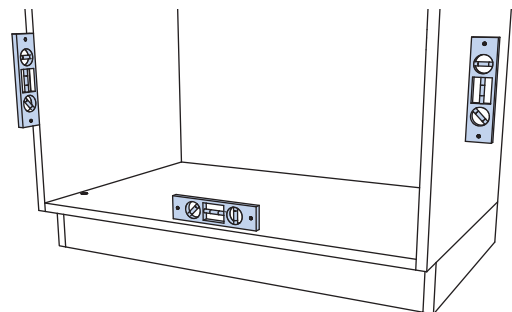
- 4** Locate first Base cabinet against wall.



- 5** Note that there are two (2) front corner Levelers located behind toe kick and accessible through drilled access holes in cabinet floor. Remove plastic plugs from access holes in order to perform leveling adjustments in next step.



- 6** Using a level, adjust Levelers until sidewall, front edge and cabinet floor are plumb. Insert a 4mm hex wrench through access holes in cabinet floor to make adjustments. (Refer to illustration on next page.) Shim as necessary to accommodate irregular wall conditions. Once adjustments are complete, reinstall plastic plugs into access holes.

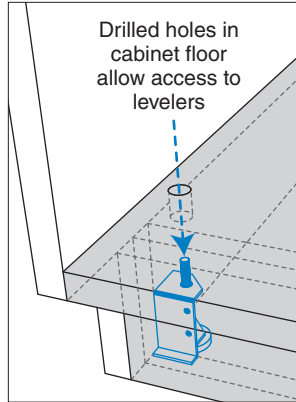


## STEP-BY-STEP INSTALLATION

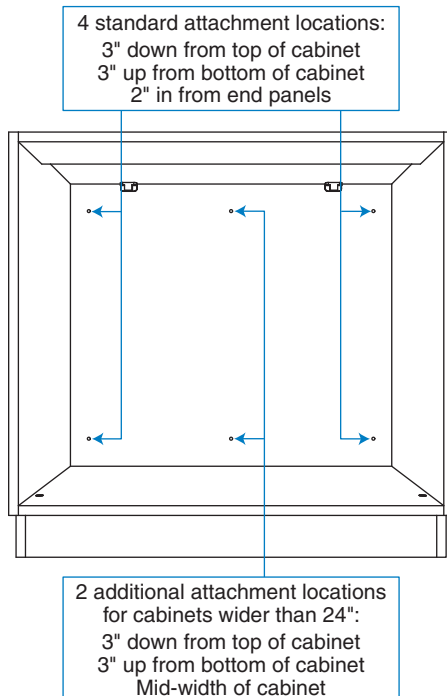
- 8** Securely attach Base cabinet to building structure through both Mounting Rails, in locations illustrated in Step #7.

*Fastening anchors (not provided) to be of type suitable for wall structures such as block and concrete, wood stud walls and metal stud walls. Do not attach directly to drywall or thin paneling.*

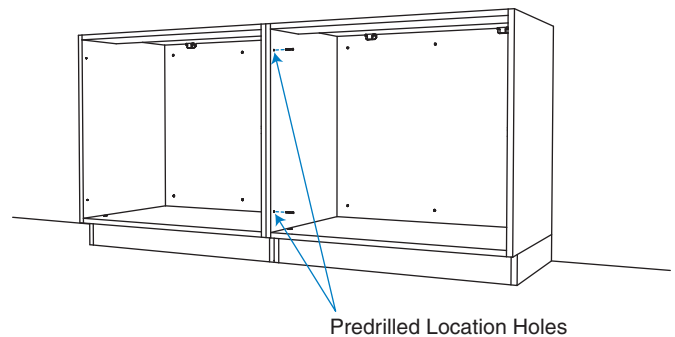
**NOTE:**  
Turn clockwise to lift,  
counterclockwise to lower.



- 7** Note that there is a minimum of four (4) standard locations for attachment of Base cabinets to building structure, as illustrated below. Two (2) additional mid-point locations are recommended for cabinets wider than 24". Anchoring devices (not provided) must pass through Mounting Rails on back of Cabinet.



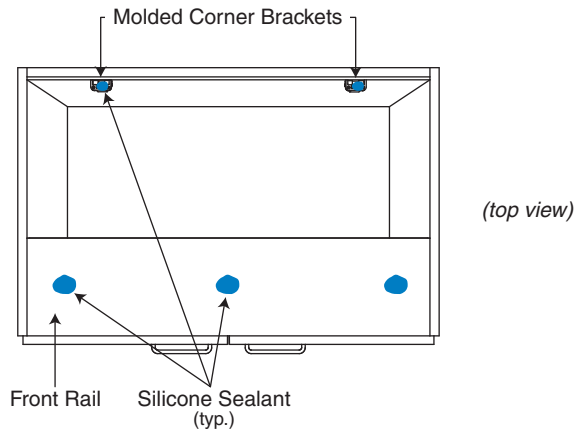
- 9** Continue to mount cabinets side-by-side, using previous installation steps. Align cabinet bottoms and front vertical edges for a professional appearance. 1 1/4" screws and predrilled location holes have been included to additionally attach cabinet sides together, as may be necessary.



**Hint:**  
Use clamps to hold cabinets together during this process.

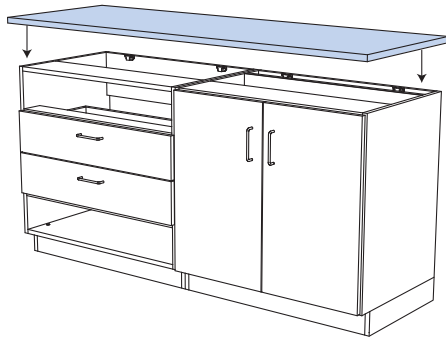
## STEP-BY-STEP INSTALLATION

- 10** Apply silicone sealant to Base cabinet Front Rails and Molded Corner Brackets, as illustrated below.

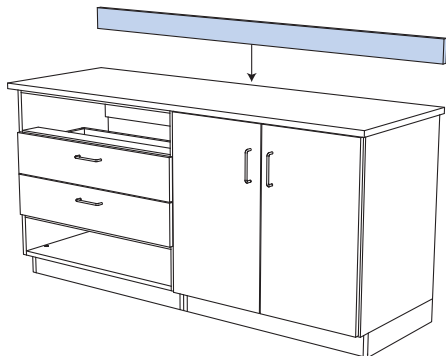


**CAUTION!**  
Countertops are quite heavy.  
Please use caution when handling.  
Do not attempt to handle without additional assistance.

- 11** Place Countertop on top of Base cabinets, centering it side-to-side and positioning firmly against building structure. Clamp Countertop down to Front Rail, if required.



- 12** Mount Backsplash to Countertop and Back Wall with silicone sealant. Carefully caulk bottom joint edge of Countertop to Backsplash.



- 13** **FOR 84174 ONLY:** To access plumbing in wall, remove Sink Base cabinet back panel by removing two (2) screws at top of panel. If not pre-mounted, install drop-in Epoxy Sink with Clear Silicone Sealant. Install Hot/Cold Gooseneck Faucet and Gas Valve, using Sealant under fixtures to seal against leakages. Reinstall back panel after hookups are complete.

**NOTE:**

Utility hookups for Faucets, Drains and Gas Valve assemblies to be performed by licensed plumber in accordance with all applicable codes.

Allow sealant to set at least overnight before proceeding with utility hookups.

- 14** Replace drawers in cabinets, making sure to return them to their original locations.
- 15** Base cabinets are provided with an unfinished toe kick fascia in anticipation of 4" vinyl base molding application. I.D.SYSTEMS™ base molding (provided) has a self-adhesive backing. After removing protective cover strip, take care to properly position vinyl base before applying pressure for permanent adhesion.

**This completes the installation.**