



Stevens I.D. SYSTEMS™
800.350.3270
www.IDSystemsStorage.com



84150 COMPACT ISLAND DESK

STEP-BY-STEP INSTALLATION

ATTENTION

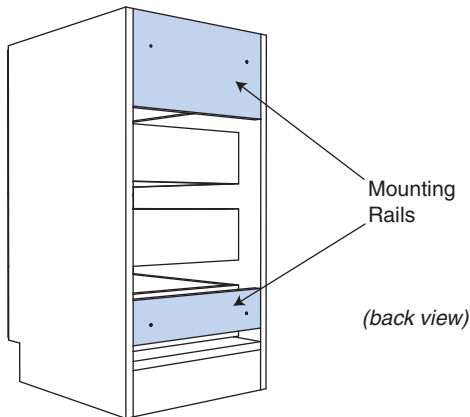
Please unpack and assemble in an area away from children's activities. Remove all tools and excess materials from work area after assembly of unit is complete. Dispose of pallet and packaging materials in an environmentally friendly manner. If any parts are missing or damaged, please call Stevens for immediate parts replacement (1-800-350-3270). When ordering parts, give the Model Number and Color of the unit.

NOTE:

Pulls are preinstalled on the inside of fronts and must be reinstalled on the outside. However, they are shown in their final mounting position on installation drawings.

Illustrations are general in nature and do not depict components and details unrelated to the assembly process.

- 1 Note that there are two (2) Mounting Rails on back side of Base Cabinets.

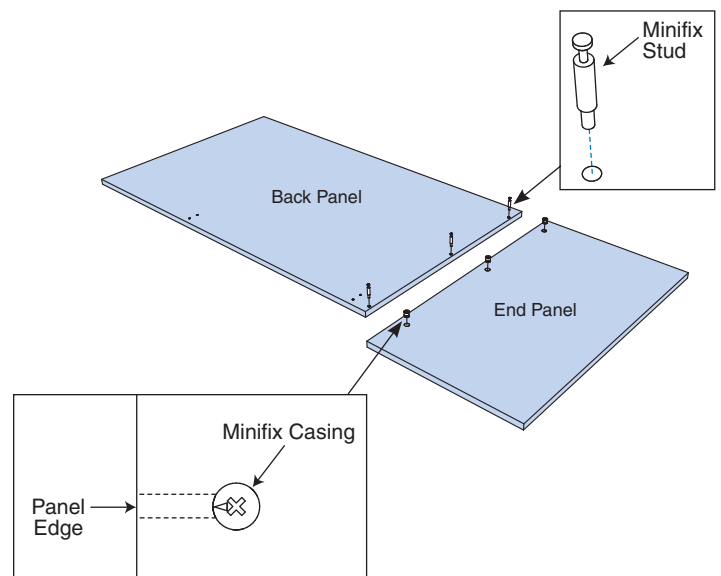


- 2 Remove at least top and bottom drawers from Base Cabinet, to provide access during later steps. Be sure to note their location, as they must go back in same location when installation is complete.

- 3 With Back Panel and End Panel flat on floor and holes facing up: Install (3) Minifix Studs into predrilled holes in Back Panel and (3) Minifix Casings into predrilled holes in End Panel.

NOTE:

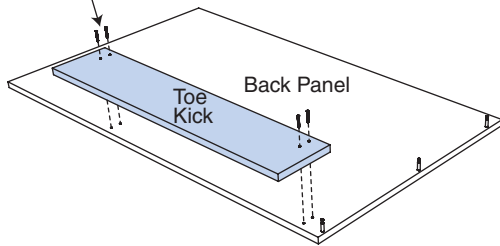
The Arrow on the Casings should be pointing toward the corresponding drilled hole on the End Panel edge.



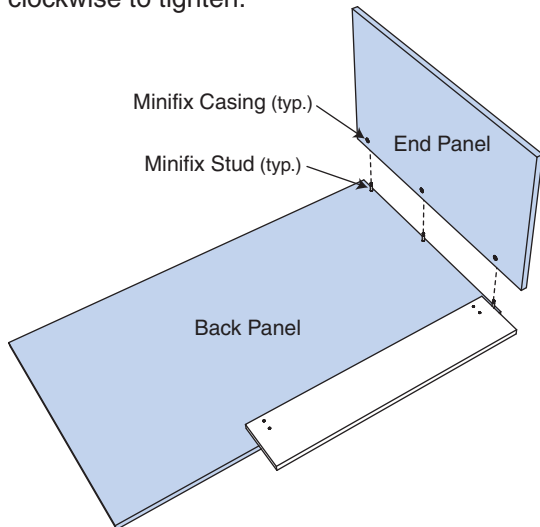
STEP-BY-STEP INSTALLATION

- 4** Attach Toe Kick to Back Panel, by aligning predrilled holes and using four (4) 1 1/4" Screws.

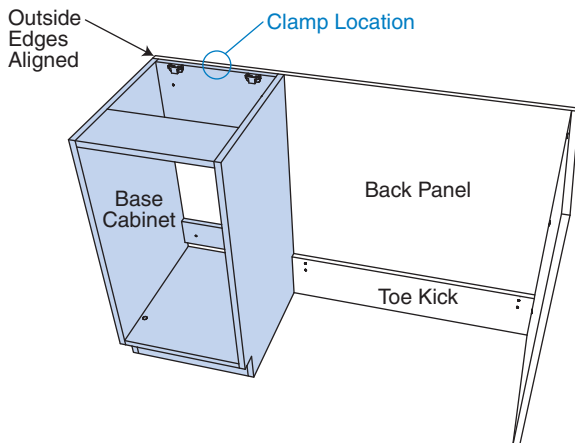
1 1/4" Screws (typ.)



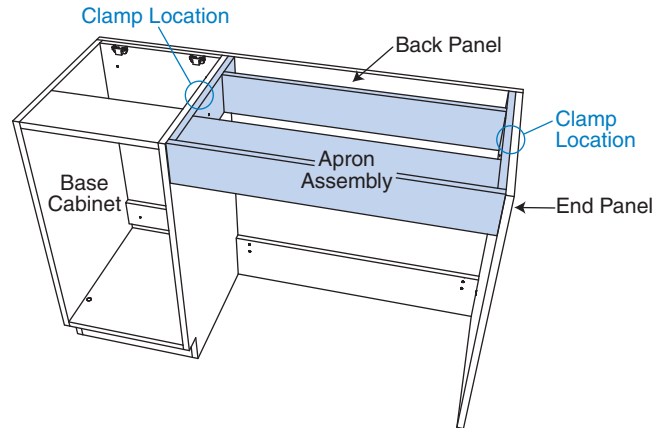
- 5** Align Minifix Studs in Back Panel with holes in edge of End Panel. Press End Panel firmly into place. Turn Minifix Casings in End Panel clockwise to tighten.



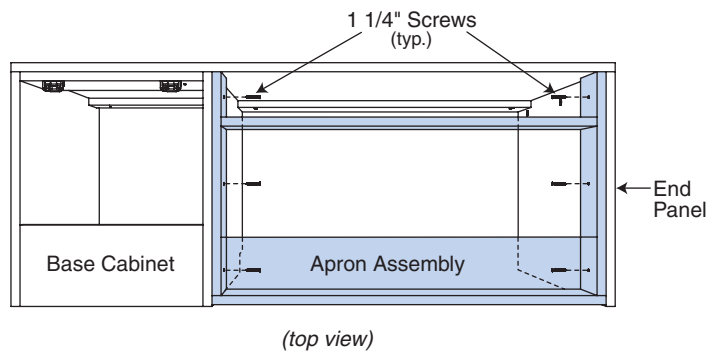
- 6** Stand assembly upright. Position Base Cabinet against Toe Kick. Align top and outside edges of Back Panel and Base Cabinet. Clamp Back Panel to Base Cabinet Upper Mounting Rail to hold securely in place for next step.



- 7** Position pre-assembled Apron Assembly between Base Cabinet and End Panel, with top edges aligned and Apron Assembly snug against Back Panel. Clamp Apron Assembly to Base Cabinet and End Panel to hold securely in place for next step.

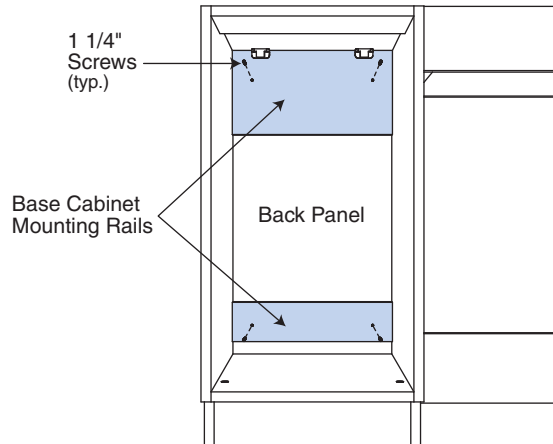


- 8** Attach Apron Assembly to Base Cabinet and End Panel, using six (6) 1 1/4" Screws through predrilled holes in Apron Assembly.

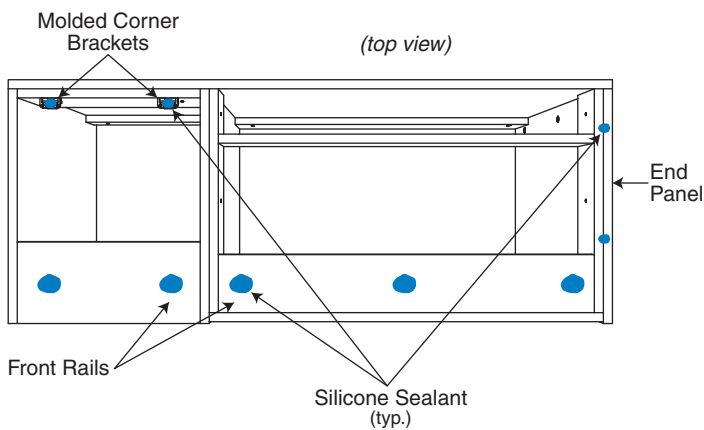


STEP-BY-STEP INSTALLATION

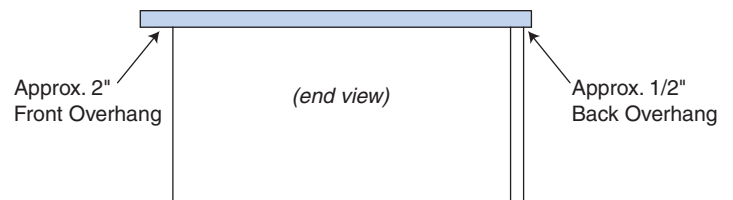
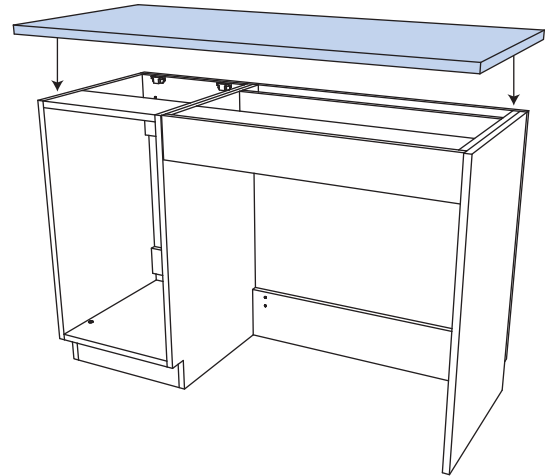
- 9** Note that there are two (2) predrilled holes in each Base Cabinet Mounting Rail. Use four (4) 1 1/4" Screws through these holes to attach Base Cabinet to Back Panel. Remove Clamps.



- 10** Apply silicone sealant to Base Cabinet and Apron Assembly Front Rails, Molded Corner Brackets and End Panel upper edge, as illustrated below.

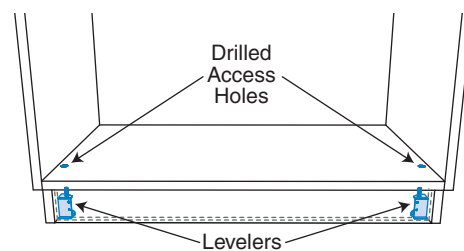


- 11** Place Countertop on top of Desk Assembly, centering it side-to-side and overhanging the Back Panel by 1/2". There should be approximately 3/4" overhang on sides and 2" overhang at the front. Clamp Countertop down to Base Cabinet Front Rail, if required, until sealant is set.



- 12** Position Desk Assembly in desired location.

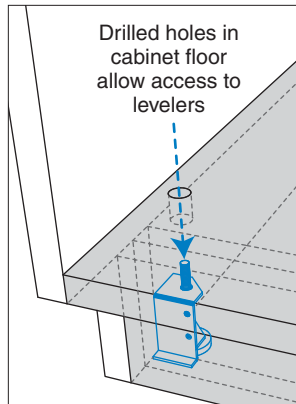
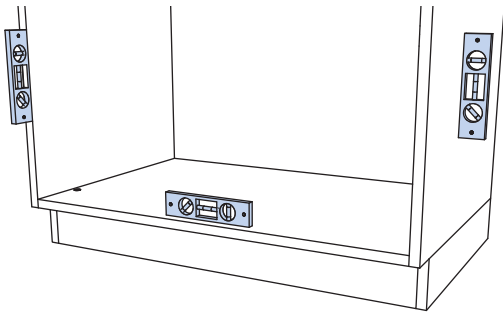
- 13** Note that there are two (2) front corner Levelers located behind Base Cabinet toe kick and accessible through drilled access holes in cabinet floor. Remove plastic plugs from access holes in order to perform leveling adjustments in next step.



CAUTION!
Countertops are quite heavy.
Please use caution when handling.
Do not attempt to handle without additional assistance.

STEP-BY-STEP INSTALLATION

- 14** Using a level, adjust Levelers until sidewall, front edge and cabinet floor are plumb. Insert a 4mm hex wrench through access holes in cabinet floor to make adjustments. Shim as necessary. Once adjustments are complete, reinstall plastic plugs into access holes.



NOTE:
Turn clockwise to lift,
counterclockwise to lower.

- 15** Replace drawers in Base Cabinet, making sure to return them to their original locations.

- 16** Finish Base Cabinet Toe Kick fascia and Toe Kick on back side of Desk Assembly using 4" vinyl base molding application. I.D.SYSTEMS™ base molding (provided) has a self-adhesive backing. After removing protective cover strip, take care to properly position vinyl base before applying pressure for permanent adhesion.

This completes the installation.